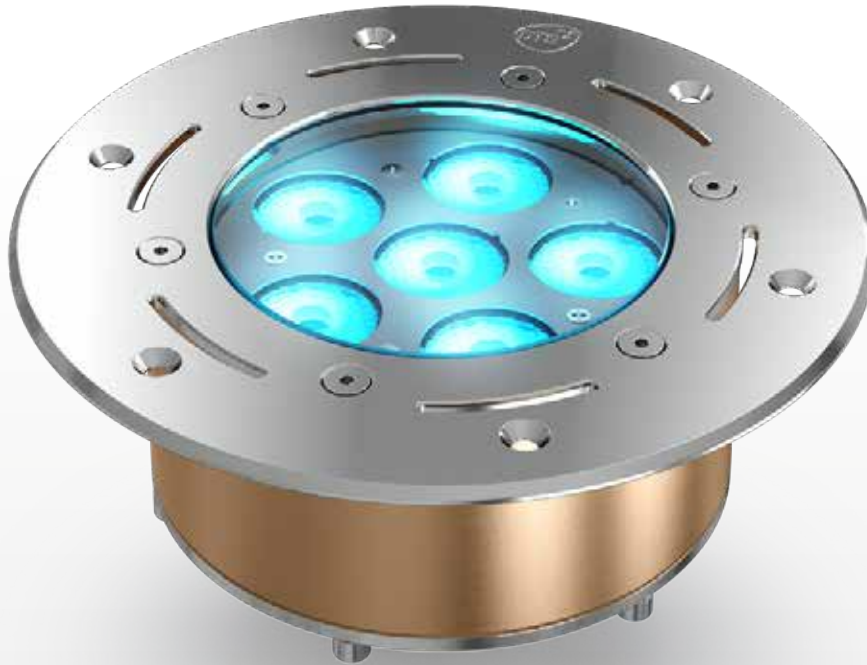
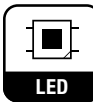


AKHELIOS.D 6

EX DIVE 6 R SOLO



FEATURES



LED



IP68



remote PSU



built-in DRV



RDM/DMX



-20° +40°

CERTIFICATIONS



TREATMENTS

FINITURE

BRONZE AND STEEL	99

LED

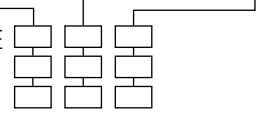
FULL COLOR (RGBW)	FC

LENS

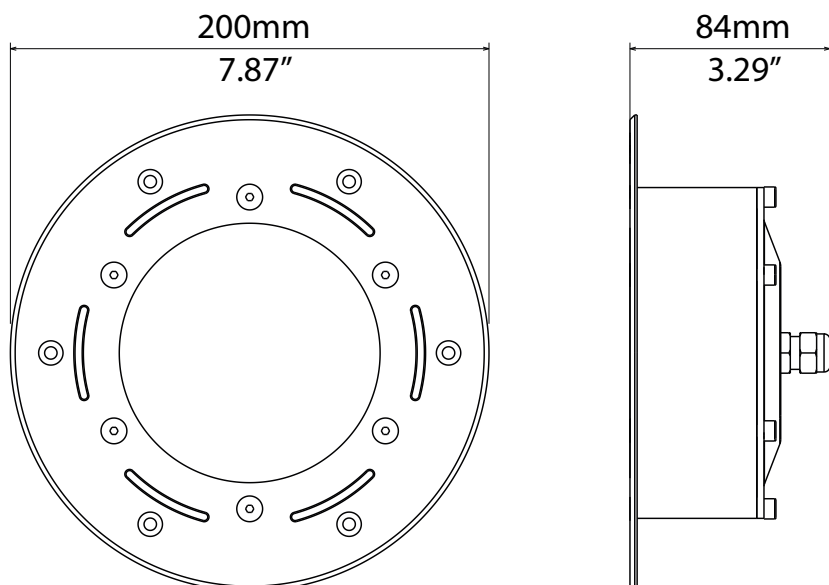
MF - 22°	25
WF - 40°	40

AKHELIOS.D 6

03.LPS023E



TECHNICAL



OUTPUT	• 6 x 4-colors LEDs
	• Lumens output (RGBW): 2,300 @ 700mA
	• LED lifespan: 50,000 hours (70% lumen output)
OPTICAL GROUP	<ul style="list-style-type: none"> • Medium flood 22° • Wide flood 40°
CONTROL	<ul style="list-style-type: none"> • DMX 512 / RDM protocols • DMX address settings and functions can be also managed by the dedicated DLC 901 • remote control • Internal operating system updatable via DTS Dongle Firmware Uploader
DMX	<ul style="list-style-type: none"> • 4 DMX channels (default) • 11 DMX channels
POWER SUPPLY	<ul style="list-style-type: none"> • LED driver on board • External constant voltage PSU Led driver 27 ÷ 30 Vdc • Max projector distance to PSU Led driver: 50 m
	• Consumption: 60 W max
CONNECTIONS	• 1 x 5 m end-stripped 4-pole cable for Power and DMX (Pay Attention: for specific lengths needs, please request to the sales manager at the time of ordering)
PHYSICAL	• Housing: Bronze / Stainless Steel
	• Weight: 3.9 Kg (8.6 lbs)

ACCESSORIES ON REQUEST



0509C078 • 4-pole underwater cable 4 x 1.5 mm²



Max. 1 unit
0502T102 • Constant voltage PSU 30Vdc 90W *IP67



03.LA.063.1 • Dongle DLC 901



03.LA.206 • DTS dongle firmware uploader



03.LA.078 • Outer case stay-in-place casting form