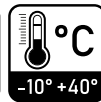
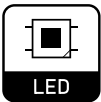


# ALCHEMY 3 CEILING



## FEATURES



## FINITURE

<input type="checkbox"/>	WHITE - RAL 9003	03

## LED

<input type="checkbox"/>	HQS (RGBACL)	11

## CERTIFICATIONS



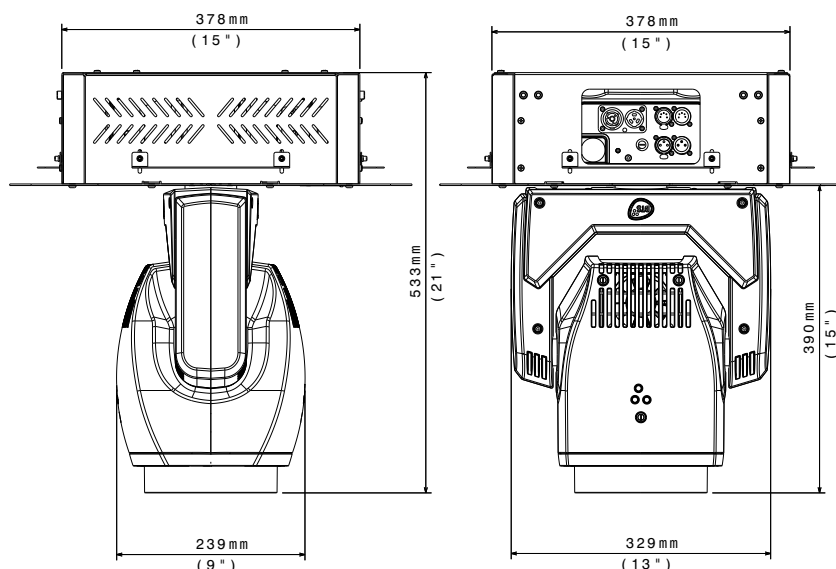
## TREATMENTS

ALCHEMY 3 CEILING

03.MW011.03.T



## TECHNICAL



## ACCESSORIES ON REQUEST



**03.LA.206** • DTS Dongle firmware uploader



**0521A010** • Safety cable 3 x 600 mm  
Max load 30 Kg

<b>OUTPUT</b>	<ul style="list-style-type: none"> <li>• Multi-chip LED source</li> <li>• Lumens output (RGBACL): 4,950 @ 700mA</li> <li>• Lumens output (5600 K): 5,950 @ 700mA</li> <li>• CRI: up to 98 - TLCI: up to 96</li> <li>• LED lifespan: 20,000 hours</li> <li>• (70% lumen output)</li> </ul>
<b>OPTICAL GROUP</b>	<ul style="list-style-type: none"> <li>• 14.1°- 45.2° linear zoom</li> <li>• Ø 175 mm Fresnel lens</li> <li>• Beam shaper (2x1 ratio) with endless rotation; indexable</li> <li>• Heavy frost filter insertable via DMX</li> <li>• Retractable 'top hat'</li> </ul>
<b>COLOR &amp; WHITE GENERATION</b>	<ul style="list-style-type: none"> <li>• 6-color LED engine</li> <li>• Linear CCT (1800 K - 10000 K)</li> <li>• Linear 'Green saturation'</li> <li>• 100 gel filters emulation: <ul style="list-style-type: none"> <li>- Linear balance from gel filters emulation to white</li> <li>- Linear balance between gel filters emulation</li> <li>- True color of gel filters emulation at any CCT values</li> </ul> </li> <li>• Color mixing by 6-color 'advanced' mode</li> <li>• Deep blue and Deep red filters (DMX-selectable)</li> </ul>
<b>DIMMER</b>	<ul style="list-style-type: none"> <li>• Hi-Q Dimming technology</li> <li>• Tungsten Emulation function</li> </ul>
<b>PAN &amp; TILT</b>	<ul style="list-style-type: none"> <li>• Pan 540° (1.8 sec)</li> <li>• Tilt 215° (1.1 sec)</li> <li>• 16-bit resolution</li> </ul>
<b>DMX</b>	<ul style="list-style-type: none"> <li>• 5 DMX modes: <ul style="list-style-type: none"> <li>- 1. CCT (default)</li> <li>- 2. Advanced</li> <li>- 3. Basic</li> <li>- 4. Expo</li> <li>- 5. CMY Emulation</li> </ul> </li> </ul>
<b>CONTROL</b>	<ul style="list-style-type: none"> <li>• LCD graphic display + 4 soft-keys; Auto-flip; Key-Lock function</li> <li>• RDM / DMX 512 protocols</li> <li>• Art-Net 4, sACN protocols available on request</li> <li>• Wireless DMX available on request</li> <li>• 'Standard' and 'Silent' operation modes</li> <li>• Internal operating system updatable via DTS dongle firmware uploader</li> <li>• Li-Fe backup battery for controlling the display settings even when the unit is not powered</li> </ul>
<b>POWER SUPPLY</b>	<ul style="list-style-type: none"> <li>• Electronic full-range 100/240 Vac 50-60 Hz</li> <li>• Power consumption: 300 W max</li> <li>• Power Factor: PF &gt;0.94</li> </ul>
<b>CONNECTIONS</b>	<ul style="list-style-type: none"> <li>• DMX: XLR 3-pole and 5-pole In/Out panel connectors</li> <li>• Power supply: PowerCON TRUE1 In/Out panel connectors</li> </ul>
<b>INTERNAL SAFETY DEVICES</b>	<ul style="list-style-type: none"> <li>• Overvoltage and overtemperature circuits protection</li> </ul>
<b>PHYSICAL</b>	<ul style="list-style-type: none"> <li>• Weight: 21.5 Kg (47.4 lbs)</li> </ul>
<b>ACCESSORIES INCLUDED</b>	<ul style="list-style-type: none"> <li>• 1 x cable with PowerCON TRUE1 female connector (code 02K0012267.0015)</li> </ul>



# PHOTOMETRIC DATA ALCHEMY 3 CEILING - HQS (RGBACL)

ZOOM MIN 14.1° @50%

	mt 5 ft 16.40	mt 10 ft 32.81	mt 15 ft 49.21	mt 20 ft 65.62	mt 25 ft 82.02	
<b>3200 K</b>	1937	484	215	121	77	lux center (lx)
	180	45	20	11	7	foot candles (fc)
<b>4000 K</b>	2412	603	268	151	96	lux center (lx)
	224	56	25	14	9	foot candles (fc)
<b>5600 K</b>	3420	855	380	214	137	lux center (lx)
	318	79	35	20	13	foot candles (fc)
<b>BEAM ANGLE</b>	124	247	371	495	618	diameter (cm)
	4.06	8.11	12.17	16.23	20.29	diameter (ft)

ZOOM MAX 45.2° @10%

	mt 3 ft 9.84	mt 6 ft 19.68	mt 9 ft 29.53	mt 12 ft 39.37	mt 15 ft 49.21	
<b>3200 K</b>	1679	420	187	105	67	lux center (lx)
	156	39	17	10	6	foot candles (fc)
<b>4000 K</b>	2146	537	238	134	86	lux center (lx)
	199	50	22	12	8	foot candles (fc)
<b>5600 K</b>	2950	738	328	184	118	lux center (lx)
	274	69	30	17	11	foot candles (fc)
<b>BEAM ANGLE</b>	250	500	749	999	1249	diameter (cm)
	8.19	16.39	24.58	32.78	40.97	diameter (ft)