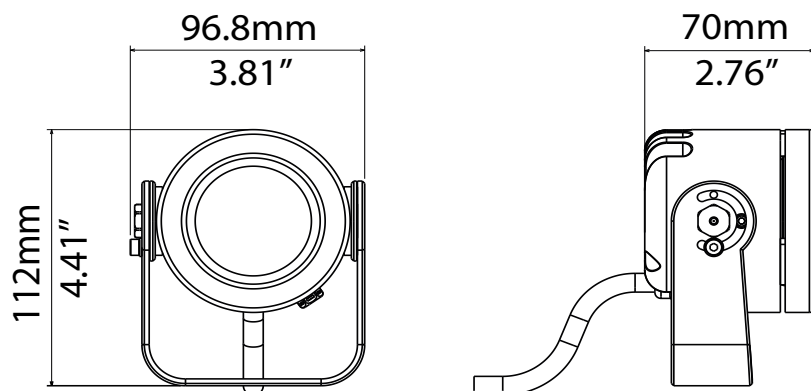


TECHNICAL



OUTPUT	• 1 x 4-colors LED
	• Lumens output (RGBW): 450 @ 700mA
	• LED lifespan: 50,000 hours (70% lumen output)
OPTICAL GROUP	<ul style="list-style-type: none"> • Narrow flood 10° • Medium flood 25° • Wide flood 35° • Elliptical 40°x12°
POWER SUPPLY	<ul style="list-style-type: none"> • External CC PSU LED driver 700mA max per channel • Max distance between Drivenet PSU and last fixture 100 m (considering 8 x 0.25 mm² cable)
	• Consumption: max 10 W @ 700mA
CONNECTIONS	• 5 m end-stripped 8-pole cable
PHYSICAL	• Housing: Aluminium

ACCESSORIES ON REQUEST



0521A010 • Safety cable - 0.3x60 cm - max. capacity load 60 Kg



03.LA.131.IP56 • HUB-IP56 Screw terminals 1 IN / 3 OUT



03.LA.131 • HUB-IP20 Screw terminals 1 IN / 3 OUT



0509C062.PUR • 8-pole outdoor cable 8 x 0.25 mm²



03.LA.246 • Top hat

CONNECTIONS CHART

DRIVENET 28C DIN @48Vdc	DRIVENET 28 EZ	DRIVENET 416	DRIVENET 832	DRIVENET 1664
Max 24 (12 items per output)	Max 24 (12 items per output)	Max 48 (12 items per output)	Max 96 (12 items per output)	Max 192 (12 items per output)