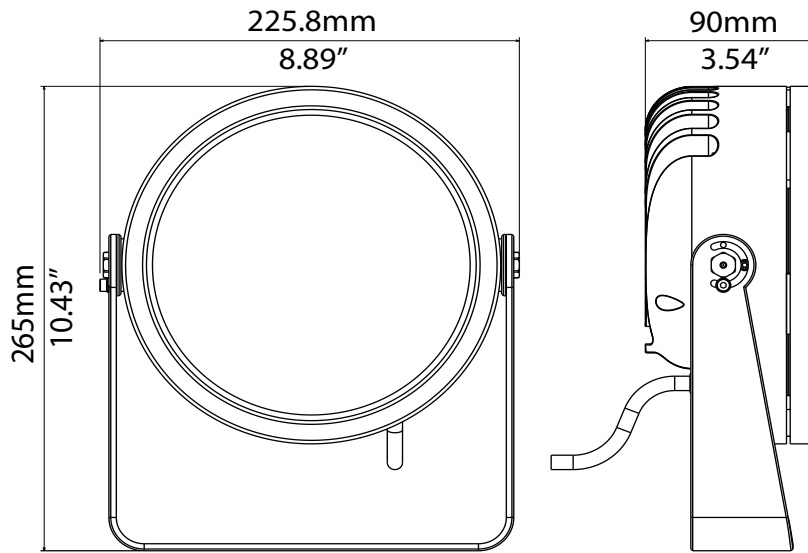




## TECHNICAL



<b>OUTPUT</b>	• 12 x 4-colors LEDs
	• Lumens output (RGBW): 5,800 @ 700mA
	• LED lifespan: 50,000 hours (70% lumen output)
<b>OPTICAL GROUP</b>	• Narrow flood 10°
	• Medium flood 25°
	• Wide flood 35°
	• Elliptical 40°x12°
<b>POWER SUPPLY</b>	• External CC PSU LED driver 700mA max per channel
	• Max distance between Drivenet PSU and last fixture 100 m (considering 8 x 0.25 mm <sup>2</sup> cable)
<b>CONNECTIONS</b>	• Consumption: max 120 W @ 700mA
	• 5 m end-stripped 8-pole cable
<b>PHYSICAL</b>	• Housing: Aluminium

## ACCESSORIES ON REQUEST



**0521A010** • Safety cable - 0.3x60 cm - max. capacity load 60 Kg



**03.LA.131.IP56** • HUB-IP56 Screw terminals 1 IN / 3 OUT



**03.LA.131** • HUB-IP20 Screw terminals 1 IN / 3 OUT



**0509C062.PUR** • 8-pole outdoor cable



**03.LA.249** • Top hat

## CONNECTIONS CHART

DRIVENET 28C DIN @48Vdc	DRIVENET 28 EZ	DRIVENET 416	DRIVENET 832	DRIVENET 1664
Max 2 (1 item per output)	Max 2 (1 item per output)	Max 4 (1 item per output)	Max 8 (1 item per output)	Max 16 (1 item per output)