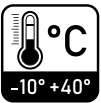
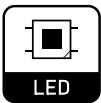


FOCUS.D 1

EX FOCUS SOLO



FEATURES



CERTIFICATIONS



TREATMENTS

FINITURE

<input type="checkbox"/> SILVER - RAL 9006	21

LED

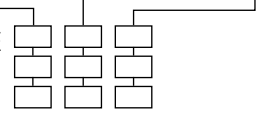
FULL COLOR (RGBW)	FC
HQS (RGBA)	FY

LENS

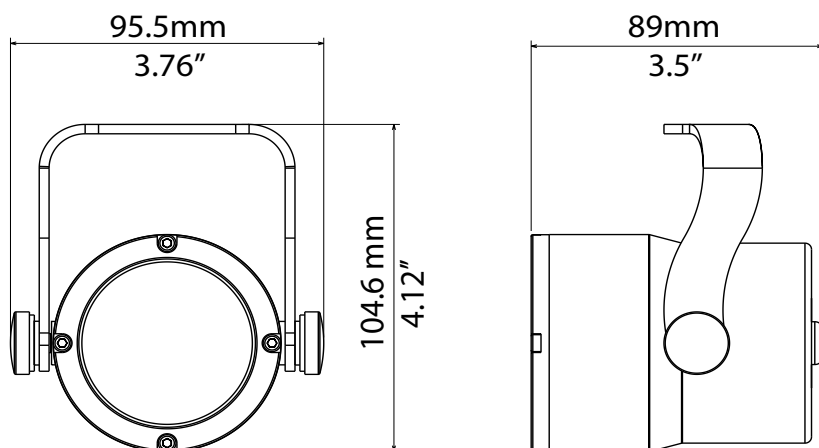
MF - 22°	25

FOCUS.D 1

03.LCB003E



TECHNICAL



OUTPUT	• 1 x 4-colors LED
	• Lumens output (RGBW): 1,288 @ 700mA
	• LED lifespan: 50,000 hours (70% lumen output)
OPTICAL GROUP	• Medium flood 22°
CONTROL	• DMX 512 / RDM protocols • Internal operating system updatable via DTS dongle firmware uploader
DMX	• 4 DMX channels (Default) • 10 DMX channels
POWER SUPPLY	• LED driver on board • External constant voltage PSU LED driver 12 ÷ 48 VdC
	• Consumption: 10 W max
CONNECTIONS	• 90 cm end-stripped 4-pole cable for Power and DMX
PHYSICAL	• Housing: Aluminium
	• Weight: 1 Kg (2.2 lbs)

ACCESSORIES ON REQUEST



Max 9 units parallel wired
0502T063 • Constant voltage PSU 48VdC 100W IP67
0502T056 • Constant voltage PSU 24VdC 100W IP67
0502T067 • Constant voltage PSU 12VdC 100W IP67



Max 2 units
0502B023 • Constant voltage PSU 12VdC 20W IP67



0509C152 • 4-pole outdoor cable



Max. 4 units (1 item per output)
03.LA.227 • DMX Power Hub



03.LA.063.1 • Dongle DLC 901



03.LA.127.04 • Top Hat - grey glitter finishing
 Max lenght 7 cm (2.8")



03.LA.206 • DTS dongle firmware uploader



0521A010 • Safety cable - 0.3x60 cm - max. capacity load 60 Kg