

FOS 100 - FOS 33



FEATURES



CERTIFICATIONS



TREATMENTS

FINITURE

<input type="checkbox"/> SILVER - RAL 9006	21
<input type="checkbox"/> BLACK	11

LED

FULL COLOR (RGBW)	FC

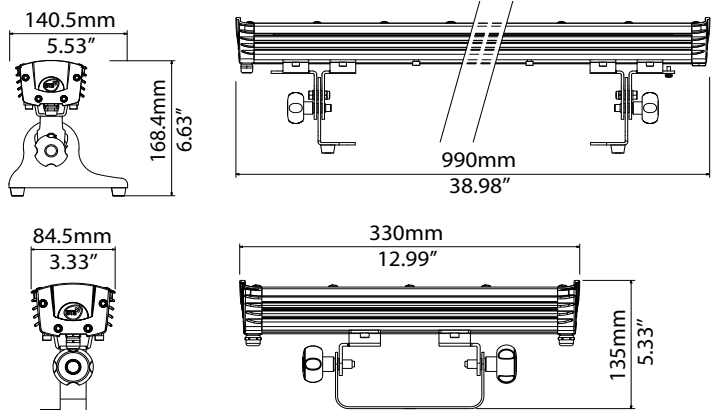
LENS

MF - 25°	25
WF - 40°	40

FOS 100 FC	03.LBB010E	<input type="checkbox"/>	<input type="checkbox"/>	<input type="checkbox"/>
FOS 33 FC IN/OUT	03.LBB050E	<input type="checkbox"/>	<input type="checkbox"/>	<input type="checkbox"/>
FOS 33 FC END	03.LBB053E	<input type="checkbox"/>	<input type="checkbox"/>	<input type="checkbox"/>



TECHNICAL



	FOS 100	FOS 33
OUTPUT	<ul style="list-style-type: none"> 15 x 4-colors LEDs Lumens output (RGBW): 5,400 @ 700 mA LED lifespan: 50,000 hours (70% lumen output) 	<ul style="list-style-type: none"> 5 x 4-colors LEDs Lumens output (RGBW): 1,750 @ 700 mA
OPTICAL GROUP	<ul style="list-style-type: none"> Medium flood 25° Wide flood 40° 	
POWER SUPPLY	<ul style="list-style-type: none"> External CC PSU LED driver 700mA max per channel 	
	<ul style="list-style-type: none"> Max distance between Drivenet PSU and fixture 50 m Consumption: max 100 W @ 700mA 	<ul style="list-style-type: none"> Max distance between Drivenet PSU and fixture 100 m Consumption: max 50 W @ 700mA
CONNECTIONS	<ul style="list-style-type: none"> 30 cm cable with M12 male connector 	<p>END VERSION</p> <ul style="list-style-type: none"> 30 cm cable with M12 male connector <p>IN/OUT VERSION</p> <ul style="list-style-type: none"> LED in: 30 cm cable with M12 male connector LED out: 30 cm cable with M12 female connector
PHYSICAL	<ul style="list-style-type: none"> Housing: Aluminium Weight: 5 Kg (11 lbs) 	<ul style="list-style-type: none"> Housing: Aluminium Weight: 1.9 Kg (4.2 lbs)
ACCESSORIES INCLUDED	<ul style="list-style-type: none"> 1 x M12 female cable connector (code 0520P050) 1 x Fit joint for joining bars inline silver finishing (code 02M09519.44) 1 x M4 knob for fit joint (code 0511P014) 2 x Short bracket for wall installation (code 03.LA.025) 	<ul style="list-style-type: none"> 1 x M12 female cable connector (code 0520P050)

ACCESSORIES ON REQUEST



03.LA.142 • Barndoor and Holographic filter holder
02M09594.46 • Single side light shield



03.LA.023 • Kit fit joint for joining bars inline



03.LA.024 • Fast-lock bracket kit



Outdoor extension cable with M12 M/F 8 pins - cable Ø 6 mm

03.LA.035.10 • length 10 mt - 33 ft
03.LA.035.20 • length 20 mt - 66 ft
03.LA.035.30 • length 30 mt - 98 ft
03.LA.035.40 • length 40 mt - 132 ft
03.LA.035.50 • length 50 mt - 164 ft



Outdoor extension cable M12 Female + end stripped 8-pole

02K001157.10 • length 10 mt - 33 ft
02K001157.30 • length 30 mt - 98 ft
02K001157.50 • length 50 mt - 164 ft
02K001157.100 • length 100 mt - 328 ft



0509C062.PUR • 8-pole outdoor cable 8 x 0.25 mm²



03.LA.037 • Y-BOX IP65 M12 (Only for Fos 33 End)



0521A010 • Safety cable - 0.3x60 cm max. capacity load 60 Kg

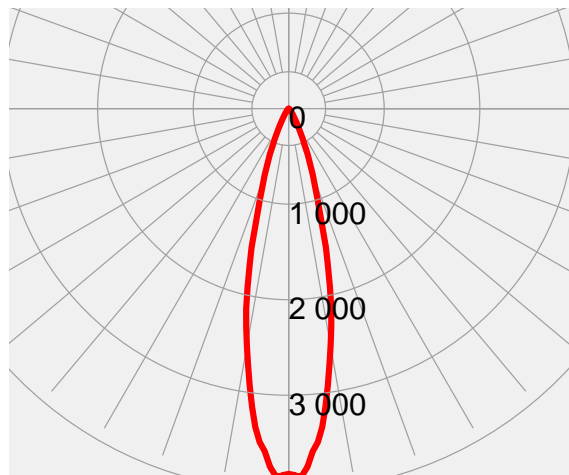
CONNECTIONS CHART

	DRIVENET 28C DIN @48Vdc	DRIVENET 28 EZ	DRIVENET 416	DRIVENET 832	DRIVENET 1664
FOS 100	Max 2 (1 item per output)	Max 2 (1 item per output)	Max 4 (1 item per output)	Max 8 (1 item per output)	Max 16 (1 item per output)
FOS 33	Max 4 (2 items per output)	Max 4 (2 items per output)	Max 8 (2 items per output)	Max 16 (2 items per output)	Max 32 (2 items per output)

PHOTOMETRIC DATA FOS 100 - FULL COLOR (RGBW) - @ 700mA

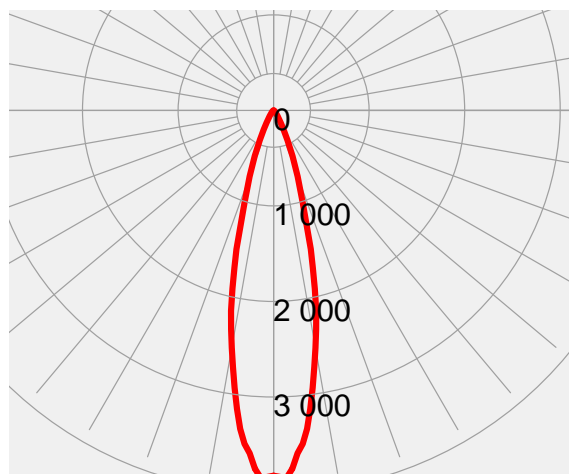
MEDIUM 25° lenses

	mt 3 ft 9.84	mt 6 ft 19.68	mt 9 ft 29.53	mt 12 ft 39.37	mt 15 ft 49.21	
FULL	1402	351	156	88	56	lux center (lx)
RGBW	130	33	14	8	5	foot candles (fc)
BEAM	133	266	399	532	665	diameter (cm)
ANGLE	4.36	8.73	13.09	17.46	21.82	diameter (ft)



WIDE 40° lenses

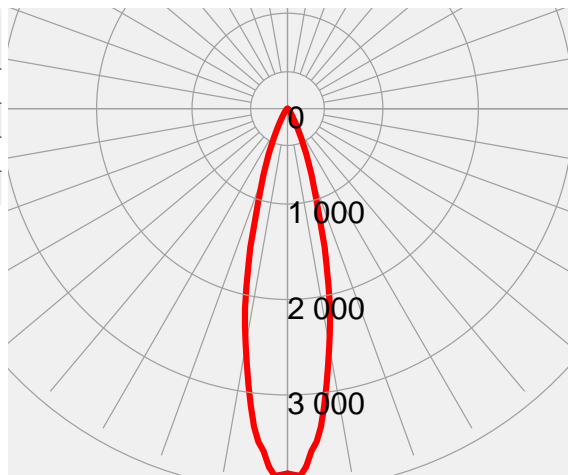
	mt 3 ft 9.84	mt 6 ft 19.68	mt 9 ft 29.53	mt 12 ft 39.37	mt 15 ft 49.21	
FULL	950	238	106	59	38	lux center (lx)
RGBW	88	22	10	6	4	foot candles (fc)
BEAM	218	437	655	876	1092	diameter (cm)
ANGLE	7.16	14.33	21.49	28.66	35.82	diameter (ft)



PHOTOMETRIC DATA FOS 33 - FULL COLOR (RGBW)

MEDIUM 25° lenses

	mt 3 ft 9.84	mt 6 ft 19.68	mt 9 ft 29.53	mt 12 ft 39.37	mt 15 ft 49.21	
FULL	654	164	73	41	26	lux center (lx)
RGBW	61	15	7	4	2	foot candles (fc)
BEAM ANGLE	133	266	399	532	665	diameter (cm)
	4.36	8.73	13.09	17.46	21.82	diameter (ft)



WIDE 40° lenses

	mt 3 ft 9.84	mt 6 ft 19.68	mt 9 ft 29.53	mt 12 ft 39.37	mt 15 ft 49.21	
FULL	444	111	49	28	18	lux center (lx)
RGBW	41	10	5	3	2	foot candles (fc)
BEAM ANGLE	218	437	655	874	1092	diameter (cm)
	7.16	14.33	21.49	28.66	35.82	diameter (ft)

