



# DRIVENET



## FEATURES



## CERTIFICATIONS



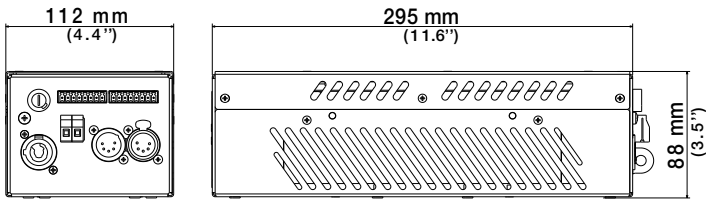
## OPTIONAL



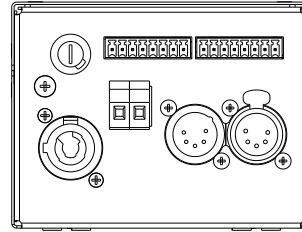
DRIVENET 28 EZ	03.LA.228
DRIVENET 416	03.LA.196
DRIVENET 832	03.LA.177
DRIVENET 1664	03.LA.198
DRIVENET 832 24VDC	03.LA.177.V2
DRIVENET 1664 24VDC	03.LA.195
DRIVENET 416 POWER	03.LA.191
DRIVENET 832 POWER	03.LA.184
DRIVENET 832 POWER 24VDC	03.LA.184.V2

# TECHNICAL

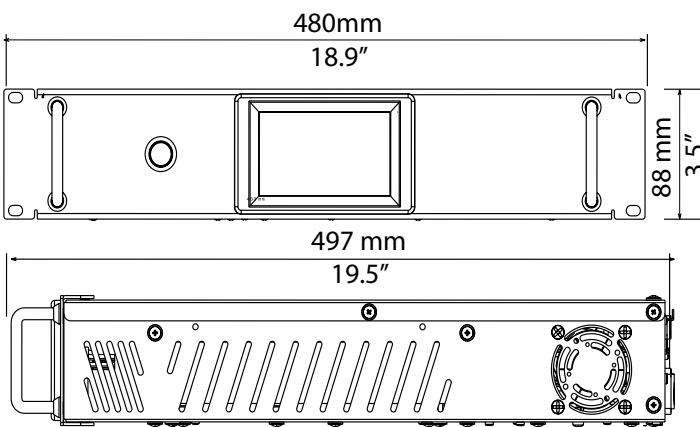
## DRIVENET <2U RACK



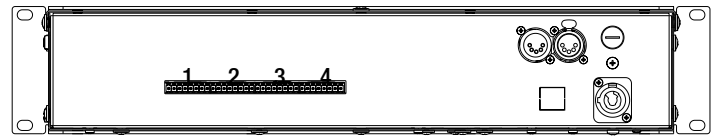
## DRIVENET 28 EZ



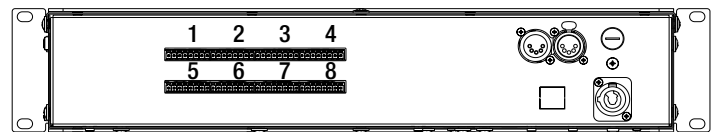
## DRIVENET 2U RACK



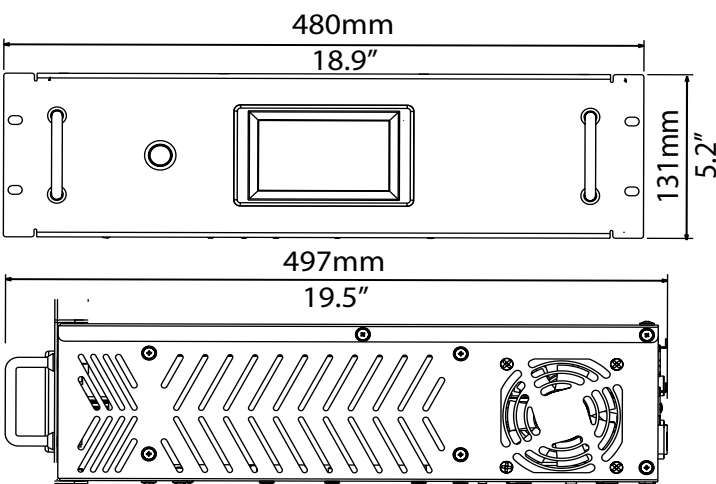
## DRIVENET 416 POWER DRIVENET 416



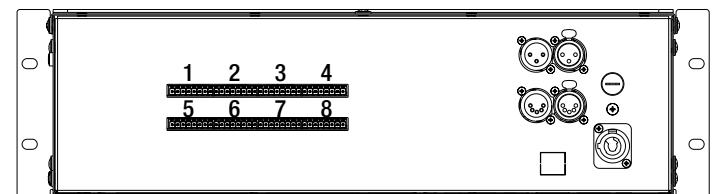
## DRIVENET 832 24V DRIVENET 832



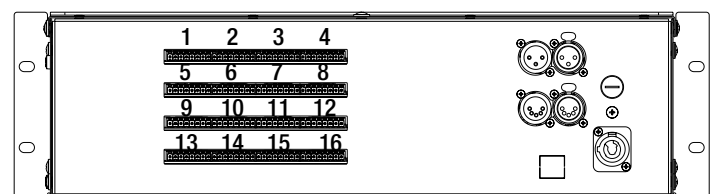
## DRIVENET 3U RACK



## DRIVENET 832 POWER DRIVENET 832 POWER 24V



## DRIVENET 1664 24V DRIVENET 1664



	<b>DRIVENET 28 EZ</b>	<b>DRIVENET 416</b>	<b>DRIVENET 832</b>	<b>DRIVENET 1664</b>
<b>ITEM CODE</b>	03.LA.228	03.LA.196	03.LA.177	03.LA.198
<b>INPUT VOLTAGE/FREQUENCY RANGE</b>	100-240Vac 50-60 Hz	100-240Vac 50-60 Hz	100-240Vac 50-60 Hz	180-240Vac 50-60 Hz*
<b>POWER FACTOR</b>	PF >0.95	PF >0.95	PF >0.95	PF >0.95
<b>OUTPUT CHANNELS</b>	8 (4 channels x 2 groups)	16 (4 channels x 4 groups)	32 (4 channels x 8 groups)	64 (4 channels x 16 groups)
<b>OUTPUT VOLTAGE</b>	42Vdc	48Vdc	48Vdc	48Vdc
<b>OUTPUT CURRENT</b>	700mA max (per channel)	700mA max (per channel)	700mA max (per channel)	700mA max (per channel)
<b>MAX POWER</b>	250W	600W	1200W	2200W
<b>OUTPUT CONNECTIONS</b>	Screw terminal connectors	Screw terminal connectors	Screw terminal connectors	Screw terminal connectors
<b>MAINS CONNECTIONS</b>	PowerCON male panel connector	PowerCON male panel connector	PowerCON male panel connector	PowerCON male panel connector
<b>DMX CONNECTIONS</b>	XLR 5-pole In/Out panel connectors	XLR 5-pole In/Out panel connectors	XLR 5-pole In/Out panel connectors	XLR 5-pole In/OUT and XLR 3-pole In/OUT panel connectors
<b>DISPLAY</b>	4-digit 7-segment LED display	Touch-screen color display	Touch-screen color display	Touch-screen color display
<b>DMX</b>	Available	Available	Available	Available
<b>RDM</b>	Available	Available	Available	Available
<b>ART-NET</b>	Not Available	Optional	Optional	Optional
<b>DALi</b>	Available	Not available	Not available	Not available
<b>RACK UNITS</b>	< 2U	2U	2U	3U
<b>WEIGHT</b>	2.5 Kg (5.5 lbs)	7.9 Kg (17.4 lbs)	9.5 Kg (20.9 lbs)	14.1 Kg (31.1 lbs)
<b>ACCESSORIES INCLUDED</b>	<ul style="list-style-type: none"> <li>• 1 x XLR 5 pins female cable connector (code 0508B065)</li> <li>• 1 x XLR 5 pins male cable connector (code 0508B066)</li> <li>• 1 x PowerCON female cable connector (code 0520P014)</li> </ul>			

\* Voltage not compatible in: USA, Canada, Mexico, Venezuela, Colombia, Ecuador, Central America and Caribbean area, Japan, Taiwan, Libia.

<b>DRIVENET 832 24VDC</b>	<b>DRIVENET 1664 24VDC</b>	<b>DRIVENET 416 POWER</b>	<b>DRIVENET 832 POWER</b>	<b>DRIVENET 832 POWER 24VDC</b>
03.LA.177.V2	03.LA.195	03.LA.191	03.LA.184	03.LA.184.V2
100-240Vac 50-60 Hz	100-240Vac 50-60 Hz	100-240Vac 50-60 Hz	180-240Vac 50-60 Hz*	100-240Vac 50-60 Hz
PF >0.95	PF >0.95	PF >0.95	PF >0.95	PF >0.95
32 (4 channels x 8 groups)	64 (4 channels x 16 groups)	16 (4 channels x 4 groups)	32 (4 channels x 8 groups)	32 (4 channels x 8 groups)
24Vdc	24Vdc	48Vdc	48Vdc	24Vdc
700mA max (per channel)	700mA max (per channel)	1600mA max (per channel)	1600mA max (per channel)	1600mA max (per channel)
600W	1100W	1200W	2400W	1200W
Screw terminal connectors	Screw terminal connectors	Screw terminal connectors	Screw terminal connectors	Screw terminal connectors
PowerCON male panel connector	PowerCON male panel connector	PowerCON male panel connector	PowerCON male panel connector	PowerCON male panel connector
XLR 5-pole In/Out panel connectors	XLR 5-pole In/OUT and XLR 3-pole In/OUT panel connectors	XLR 5-pole In/Out panel connectors	XLR 5-pole In/OUT and XLR 3-pole In/OUT panel connectors	XLR 5-pole In/OUT and XLR 3-pole In/OUT panel connectors
Touch-screen color display	Touch-screen color display	Touch-screen color display	Touch-screen color display	Touch-screen color display
Available	Available	Available	Available	Available
Available	Available	Available	Available	Available
Optional	Optional	Optional	Optional	Optional
Not available	Not available	Not available	Not available	Not available
2U	3U	2U	3U	3U
9.1 Kg (20.1 lbs)	13.9 Kg (30.7 lbs)	9.3 Kg (20.5 lbs)	13.2 Kg (29.1 lbs)	13.15 Kg (29 lbs)
<ul style="list-style-type: none"> <li>• 1 x XLR 5 pins female cable connector (code 0508B065)</li> <li>• 1 x XLR 5 pins male cable connector (code 0508B066)</li> <li>• 1 x PowerCON female cable connector (code 0520P014)</li> </ul>				