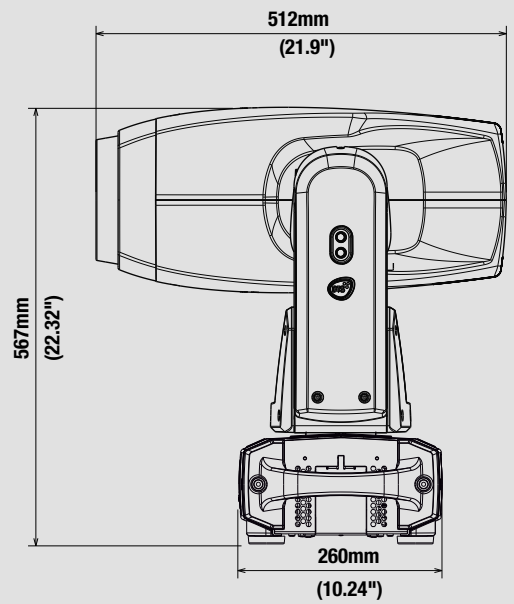
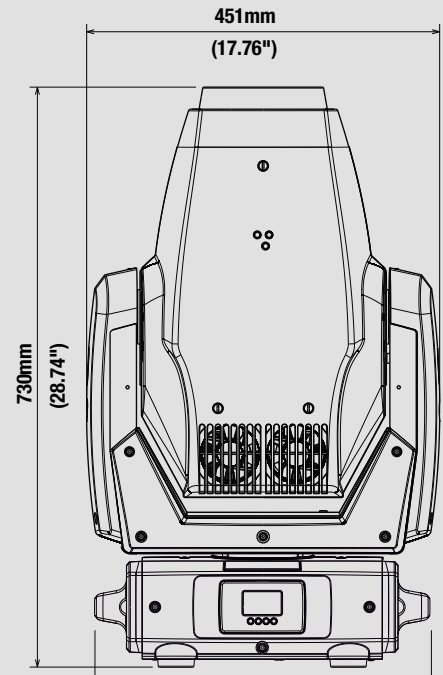


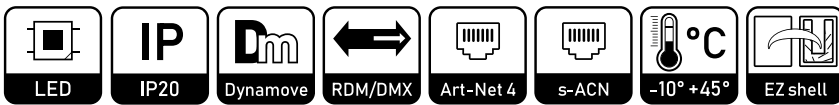
# SYNERGY 6 PROFILE



WHITE SOURCE LED MOVING HEAD  
WITH FRAMING SYSTEM



## FEATURES



## OPTIONALS

## CERTIFICATIONS



CODE  
03.MP004



## TECHNICAL DATA

### OUTPUT

- 570 W pure white LED source (7000 K 25,100 Lumens output)
- Double CRI (DMX-selectable): CRI >70 or CRI >90 / R9 >70
- Average LED life: 50,000 hours (70% lumen output)

### OPTICAL GROUP

- 109,000 Lux (4.6°@ 5 m)
- 4.6° - 43° linear zoom with autofocus
- Linear soft frost filter  
(Medium and Heavy frost filters available on demand)
- Electronic dimmer / shutter / strobe (0.3 to 33.3 flash/s)

### COLOR GENERATION

- Linear CMY
- Linear CTO (3000 K – 7000 K)
- Gel filter emulation
- 6-color wheel
- Two-color generation

### DYNAMIC EFFECTS

- Dynamove FX Engine (DTS Patent)
- Virtual Animation Wheel
- Customizable rotating 6-gobo wheel
- Circular 24-facet rotating prism
- Linear 6-facet rotating prism

### ROTATING FRAMING SYSTEM

- 4-blade rotating framing system
- Real 'curtain' effect for each blade
- 60° rotation for each blade (+/- 30°)
- 90° full system rotation (+/- 45°)

### CONTROL

- LCD graphic display + 4 soft-keys; Auto-flip; Key-Lock function
- Art-Net 4, sACN, RDM/DMX 512 protocols
- Standard and Silent operation modes
  - Noise level at Standard mode: 43 dBA (normal operation, full power)
  - Noise level at Silent mode: 38 dBA
- Firmware updatable via DTS firmware uploader dongle
- Li-Fe backup battery for controlling the display settings even when the unit is not powered

### DMX

- 44 DMX channels (Default)
- 53 DMX channels:
  - 16 bit index for insertion and rotation of each blade
  - 16 bit index for blade system rotation

### PAN & TILT

- Pan: 540°: 2.7 s
- Tilt: 240°: 1.6 s
- Tri-phase stepper motor technology;
- 16-bit resolution
- Selectable speed ranges
- Pan / Tilt lock

### POWER SUPPLY

- Wide-range 100-240Vac 50-60 Hz
- Power consumption: 750 W max
- Power Factor: PF >0.90

### CONNECTIONS

- DMX: XLR 3-pole and 5-pole In / Out panel connectors
- Power supply: powerCON TRUE1 In / Out panel connectors
- Art-Net / sACN: etherCON RJ45 panel connector

### CIRCUITS PROTECTIONS

- Overvoltage and overtemperature circuits protection

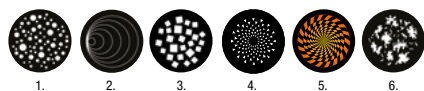
### OPERATING TEMPERATURE

-10° / 45° C

### PHYSICAL

- IP20
- Weight: 34.5 Kg (76 lbs)
- Finishing: Black

## ROTATING GOBO WHEEL



## COLOR WHEEL



## ACCESSORIES INCLUDED

- 1 x Synergy EZ-shell- 560 x 490 x 670 mm - 2 pcs needed in each flightcase (code 0512K146.1)
- 1 x Soft frost filter - already mounted on the unit (code 02SK0410)
- 1 x PowerCON TRUE1 female cable connector (code 0520P066)
- 1 x XLR 5 pins female cable connector (code 0508B147)
- 1 x XLR 5 pins male cable connector (code 0508B148)
- 2 x Kit Omega clamp "Fast Lock" (code 02K00549)

## ACCESSORIES ON REQUEST

- Medium frost filter (code 02SK0428)
- Heavy frost filter (code 02SK0430)
- Flightcase for 2 units (code 0521C073)
- Aliscraf clamp for tube diameter 48-51 mm - max. load. 200 Kg (code 0521A033)
- G-QUICK clamp Professional - max. load 100 Kg (code 0521A037)
- Outdoor DMX cable 2 x 0,25 mm² - Flame retardant (code 0509C158)
- Safety cable 5 x 600 mm - max capacity load 60 Kg (code 0521A038)
- DTS firmware uploader dongle (code 03.LA.206)

## PHOTOMETRIC DATA

	mt 5 ft 16.40	mt 10 ft 32.81	mt 15 ft 49.21	mt 20 ft 65.62	mt 25 ft 82.02	
BEAM ANGLE 4,6°	<b>lux center (lx)</b>	109000	27250	12111	6813	4360
	<b>foot candles (fc)</b>	10130	2533	1126	633	405
	<b>diameter (cm)</b>	40	80	120	161	201
	<b>diameter (ft)</b>	1.32	2.64	3.95	5.27	6.59
BEAM ANGLE 43,1°	mt 5 ft 16.40	mt 10 ft 32.81	mt 15 ft 49.21	mt 20 ft 65.62	mt 25 ft 82.02	
	<b>lux center (lx)</b>	3200	800	356	200	128
	<b>foot candles (fc)</b>	297	74	33	19	12
	<b>diameter (cm)</b>	395	790	1185	1580	1975
<b>diameter (ft)</b>	12.96	25.91	38.87	51.83	64.78	