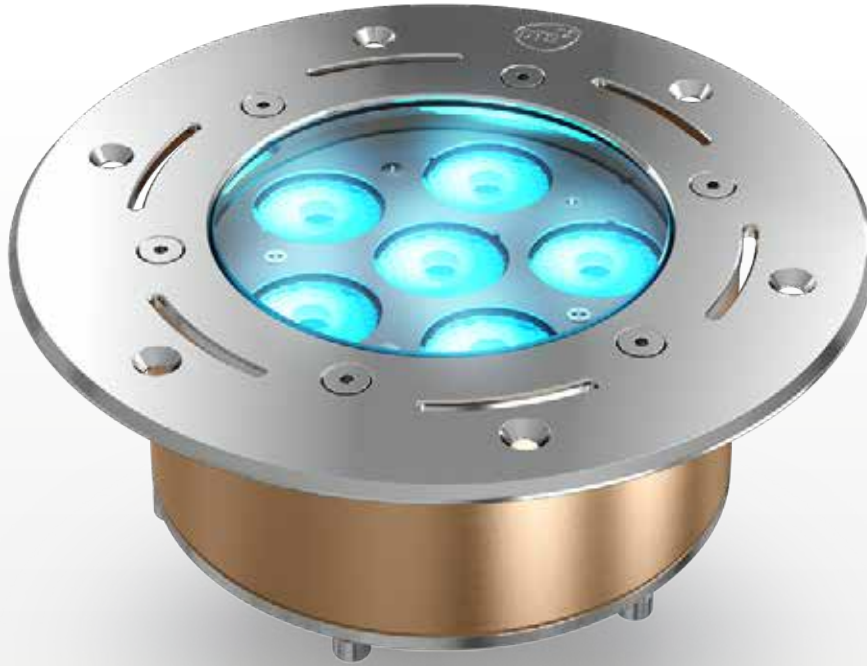
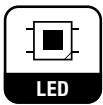


AKHELIOS 6

EX DIVE 6 R



FEATURES




CERTIFICATIONS



TREATMENTS

FINITURE

| | |
|--|----|
|  BRONZE AND STEEL | 99 |
| | |
| | |
| | |
| | |
| | |
| | |
| | |
| | |
| | |

LED

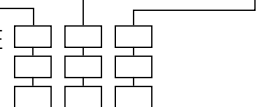
| | |
|-------------------|----|
| FULL COLOR (RGBW) | FC |
| | |
| | |
| | |
| | |
| | |
| | |
| | |
| | |
| | |

LENS

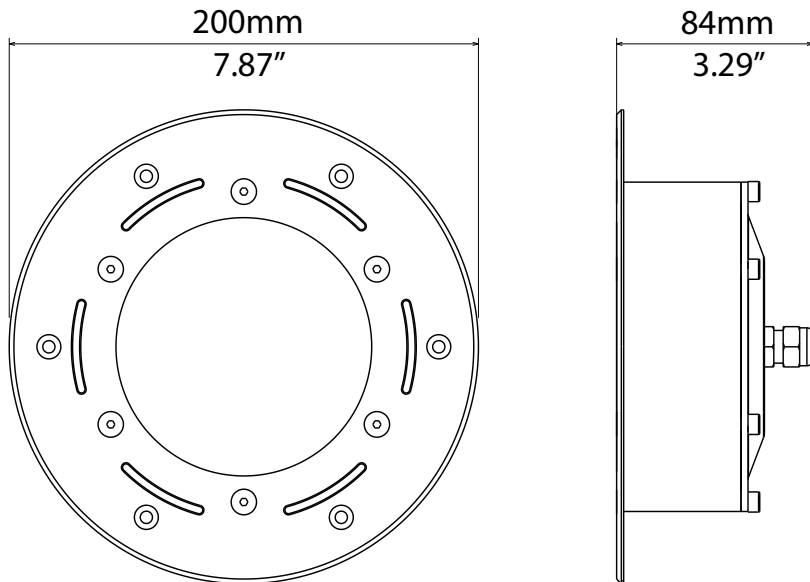
| | |
|----------|----|
| MF - 22° | 25 |
| WF - 40° | 40 |
| | |
| | |
| | |
| | |
| | |
| | |
| | |
| | |

AKHELIOS 6

03.LPS004E



TECHNICAL



| | |
|---------------|--|
| OUTPUT | • 6 x 4-colors LEDs |
| | • Lumens output (RGBW): 2,300 @ 700mA |
| | • LED lifespan: 50,000 hours (70% lumen output) |
| OPTICAL GROUP | • Medium flood 22° |
| | • Wide flood 40° |
| POWER SUPPLY | • External CC PSU Led driver 24Vdc 700mA max per channel |
| | • Max distance between Drivenet PSU and fixture 100 m |
| CONNECTIONS | • Consumption: max 60 W @ 700mA |
| | • 1 x 5 m end-stripped 8-pole cable (Pay Attention: for specific lengths needs, please request to the sales manager at the time of ordering) |
| PHYSICAL | • Housing: Bronze / Stainless Steel |
| | • Weight: 3.9 Kg (8.6 lbs) |

ACCESSORIES ON REQUEST



0509C159 • 8-pole underwater cable



03.LA.131.IP56 • HUB-IP56 Screw terminals 1 IN / 3 OUT



03.LA.131 • HUB-IP20 Screw terminals 1 IN / 3 OUT



03.LA.078 • Outer case stay-in-place casting form

CONNECTIONS CHART

| DRIVENET 28C DIN @24Vdc | DRIVENET 832 24Vdc | DRIVENET 1664 24Vdc | - | - |
|------------------------------|------------------------------|-------------------------------|---|---|
| Max 2 (1 item per output) | Max 8 (1 item per output) | Max 16 (1 item per output) | - | - |

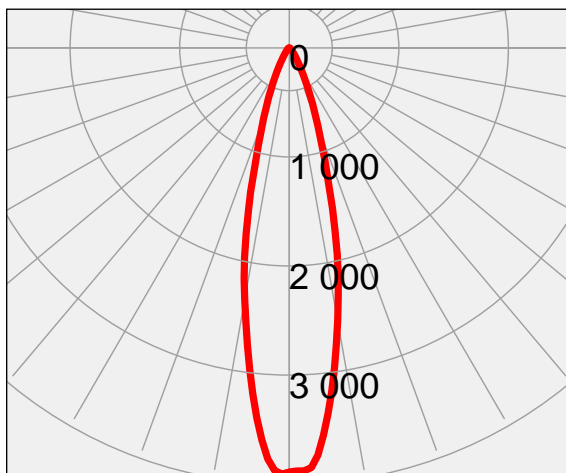
! Caution: Do not turn on the fixture in the absence of water



PHOTOMETRIC DATA AKHELIOS 6 - FULL COLOR (RGBW)

MEDIUM 22° lenses

| | mt 1 ft 3.28 | mt 2 ft 6.56 | mt 3 ft 9.84 | mt 4 ft 13.12 | mt 5 ft 16.40 | |
|-------------------|-----------------|-----------------|-----------------|------------------|------------------|-------------------|
| FULL | 7455 | 1864 | 828 | 466 | 298 | lux center (lx) |
| RGBW | 693 | 173 | 77 | 43 | 28 | foot candles (fc) |
| BEAM ANGLE | 39 | 78 | 117 | 156 | 194 | diameter (cm) |
| | 1.28 | 2.55 | 3.83 | 5.10 | 6.38 | diameter (ft) |



WIDE 40° lenses

| | mt 1 ft 3.28 | mt 2 ft 6.56 | mt 3 ft 9.84 | mt 4 ft 13.12 | mt 5 ft 16.40 | |
|-------------------|-----------------|-----------------|-----------------|------------------|------------------|-------------------|
| FULL | 5020 | 1255 | 558 | 314 | 201 | lux center (lx) |
| RGBW | 467 | 117 | 52 | 29 | 19 | foot candles (fc) |
| BEAM ANGLE | 73 | 146 | 218 | 291 | 364 | diameter (cm) |
| | 2.39 | 4.78 | 7.16 | 9.55 | 11.94 | diameter (ft) |

