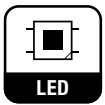


# DOCTUS 1 WH



## FEATURES



## CERTIFICATIONS



## TREATMENTS



## FINITURE

## LED

## LENS

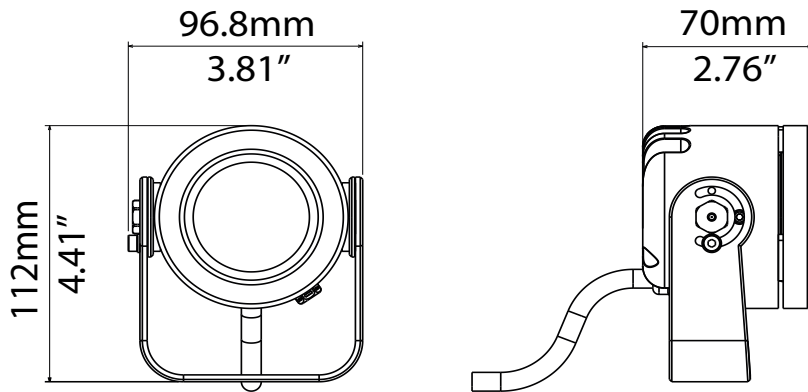
## FILTER

|  |    |              |    |          |    |            |   |
|--|----|--------------|----|----------|----|------------|---|
| <input type="checkbox"/> SILVER - RAL 9006 | 28 | WHITE 3000 K | WB | SP - 10° | 10 | HONEY COMB | A |
|  |    | WHITE 4000 K | WE | MF - 25° | 25 |            |   |
|  |    |              |    | WF - 35° | 40 |            |   |
|  |    |              |    | 40°x12°  | E1 |            |   |
|  |    |              |    |          |    |            |   |
|  |    |              |    |          |    |            |   |
|  |    |              |    |          |    |            |   |
|  |    |              |    |          |    |            |   |
|  |    |              |    |          |    |            |   |
|  |    |              |    |          |    |            |   |
|  |    |              |    |          |    |            |   |

DOCTUS 1      03.DTB006E



## TECHNICAL



|                      |   |
|----------------------|---|
| <b>OUTPUT</b>        | • 1 x White LED   |
|                      | • CRI >90   |
|                      | • Lumens output (3000 K): 920 @ 700mA<br>• Lumens output (4000 K): 1,000 @ 700mA  |
|                      | • LED lifespan: 50,000 hours (70% lumen output)   |
| <b>OPTICAL GROUP</b> | <ul style="list-style-type: none"> <li>• Narrow flood 10°</li> <li>• Medium flood 25°</li> <li>• Wide flood 35°</li> <li>• Elliptical 40°x12°</li> </ul>  |
| <b>POWER SUPPLY</b>  | <ul style="list-style-type: none"> <li>• External CC PSU LED driver 700mA max per channel</li> <li>• Max distance between Drivenet PSU and last fixture 100 m (considering 8 x 0.25 mm<sup>2</sup> cable)</li> <li>• Consumption: max 10 W @ 700mA</li> </ul> |
| <b>CONNECTIONS</b>   | • 5 m end-stripped 8-pole cable   |
| <b>PHYSICAL</b>      | • Housing: Aluminium  |

## ACCESSORIES ON REQUEST



**0521A010** • Safety cable - 0.3x60 cm - max. capacity load 60 Kg



**03.LA.131.IP56** • HUB-IP56 Screw terminals 1 IN / 3 OUT



**03.LA.131** • HUB-IP20 Screw terminals 1 IN / 3 OUT



**0509C062.PUR** • 8-pole outdoor cable 8 x 0.25 mm<sup>2</sup>



**03.LA.246** • Top hat

## CONNECTIONS CHART

| DRIVENET 28C DIN @48Vdc         | DRIVENET 28 EZ                  | DRIVENET 416                    | DRIVENET 832                    | DRIVENET 1664                    |
|---------------------------------|---------------------------------|---------------------------------|---------------------------------|----------------------------------|
| Max 24<br>(12 items per output) | Max 24<br>(12 items per output) | Max 48<br>(12 items per output) | Max 96<br>(12 items per output) | Max 192<br>(12 items per output) |