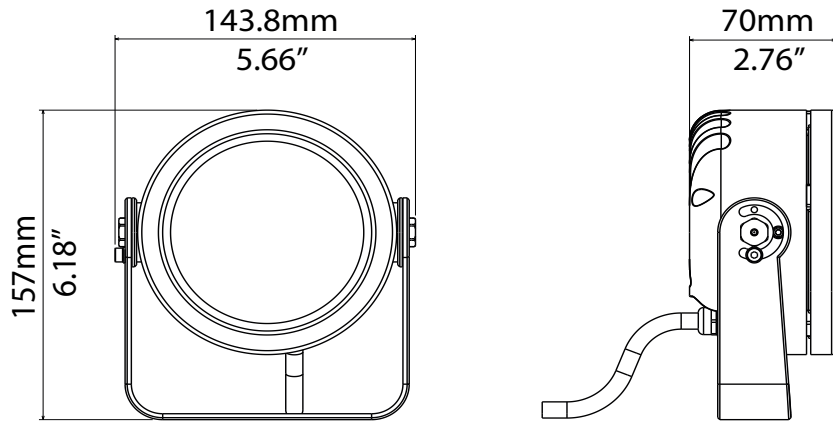


TECHNICAL



OUTPUT	• 3 x White LED
	• CRI >90
	• Lumens output (3000 K): 2,760 @ 700mA • Lumens output (4000 K): 3,000 @ 700mA
	• LED lifespan: 50,000 hours (70% lumen output)
OPTICAL GROUP	<ul style="list-style-type: none"> • Narrow flood 10° • Medium flood 25° • Wide flood 35° • Elliptical 40°x12°
POWER SUPPLY	<ul style="list-style-type: none"> • External CC PSU LED driver 700mA max per channel • Max distance between Drivenet PSU and last fixture 100 m (considering 8 x 0.25 mm² cable) • Consumption: max 30 W @ 700mA
CONNECTIONS	• 5 m end-stripped 8-pole cable
PHYSICAL	• Housing: Aluminium

ACCESSORIES ON REQUEST



0521A010 • Safety cable - 0.3x60 cm - max. capacity load 60 Kg



03.LA.131.IP56 • HUB-IP56 Screw terminals 1 IN / 3 OUT



03.LA.131 • HUB-IP20 Screw terminals 1 IN / 3 OUT



0509C062.PUR • 8-pole outdoor cable



03.LA.247 • Top hat

CONNECTIONS CHART

DRIVENET 28C DIN @48Vdc	DRIVENET 28 EZ	DRIVENET 416	DRIVENET 832	DRIVENET 1664
Max 8 (4 items per output)	Max 8 (4 items per output)	Max 16 (4 items per output)	Max 32 (4 items per output)	Max 64 (4 items per output)