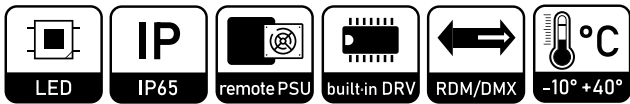


# DOCTUS.D 6



## FEATURES



## CERTIFICATIONS



## TREATMENTS



## FINITURE

<input checked="" type="checkbox"/>	SILVER	28

## LED

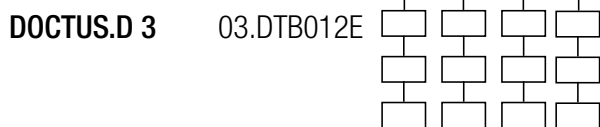
FULL COLOR (RGBW)	FC

## LENS

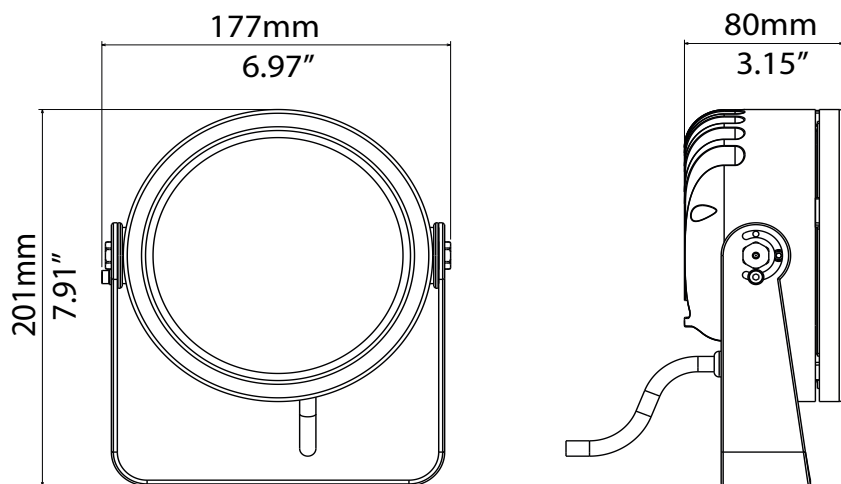
SP - 10°	10
MF - 25°	25
WF - 35°	40
40°x12°	E1
12°x40°	E2

## FILTER

NO FILTER	/
HONEY COMB	A



## TECHNICAL



<b>OUTPUT</b>	• 6 x 4-colors LEDs (RGBW) or RGBA)
	• LED lifespan: 50,000 hours (70% lumen output)
<b>OPTICAL GROUP</b>	<ul style="list-style-type: none"> <li>• Narrow flood 10°</li> <li>• Medium flood 25°</li> <li>• Wide flood 35°</li> <li>• Elliptical 40°x12°</li> <li>• Elliptical 12°x40°</li> </ul>
<b>CONTROL</b>	<ul style="list-style-type: none"> <li>• DMX 512 / RDM protocols</li> <li>• Firmware updatable via DTS firmware uploader dongle</li> </ul>
<b>DMX</b>	<ul style="list-style-type: none"> <li>• 4 DMX channels (Default)</li> <li>• 11 channels</li> </ul>
<b>POWER SUPPLY</b>	<ul style="list-style-type: none"> <li>• LED driver on board</li> <li>• External constant voltage PSU LED driver 24 ÷ 48 VdC</li> </ul>
	• Consumption: max 55 W
<b>CONNECTIONS</b>	• 5 m end-stripped 4-pole cable for Power and DMX
<b>PHYSICAL</b>	<ul style="list-style-type: none"> <li>• Housing: Aluminium</li> <li>• Weight: 2.5 Kg (5.51 lbs) - Product's weight includes 5 m (197") cable</li> </ul>

## ACCESSORIES ON REQUEST



**0502T063** • Constant voltage PSU 48VdC 100W IP67

**0502T056** • Constant voltage PSU 24VdC 100W IP67



**0502T099** • Constant voltage PSU 240W-48Vdc IP67 ON-OFF

**0502T102** • Constant voltage PSU 90W-30Vdc IP67 ON-OFF



**0509C152** • 4-pole outdoor cable 4 x 0.5 mm<sup>2</sup>



**03.LA.063.1** • Dongle DLC 901



**03.LA.206** • DTS firmware uploader dongle



**03.LA.248** • Top hat



**0521A010** • Safety cable - 3 x 600 mm - max. capacity load 30 Kg (66 lbs)