



NEVER STOP EVOLVING



ENTERTAINMENT LIGHTING SOLUTIONS
PRODUCT LIST 2024



**MADE IN
ITALY**

INDEX

PROFILE MOVING HEADS

SYNERGY 7	8
SYNERGY 6	10
SYNERGY 5	12

SPOT / BEAM MOVING HEADS

SYNERGY 5 SPOT	14
CORE	16
EVO	18
RAPTOR	20

WASH MOVING HEADS

ALCHEMY 7	22
ALCHEMY 5	24
ALCHEMY PRO	26
ALCHEMY 3	28
EUPHONY 3	30
NICK NRG 1401	32

LED BARS

KATANA	34
FOS 100 DYNAMIC SOLO	36
FOS 100 POWER SOLO FC	38

CONVENTIONAL PROJECTORS

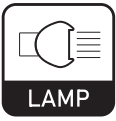
TENORE 5 HQS	40
TENORE 5 HDW	42
TENORE 5 WH	44
TENORE 3 HQS	46
TENORE 3 HDW	48
TENORE 3 WH	50
SOPRANO 5 HQS	52
SOPRANO 5 HDW	54
SOPRANO 5 WH	56
SOPRANO 3 HQS	58
SOPRANO 3 HDW	60
SOPRANO 3 WH	62
SCENA LED 200 FC	64
SCENA LED 200	66
SCENA LED 200 CT	68
SCENA LED 120 HQS	70
SCENA LED 80	72
SCENA LED 80 PC	74
SCENA LED 80 CT	76
PROFILO LED 200 FC	78
PROFILO LED 200	80
PROFILO LED 200 CT	82
PROFILO LED 120 HQS	84
PROFILO LED 80	86
PROFILO LED 80 CT	88

BLIDNER

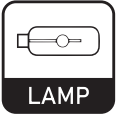
X BRICK	90
BRICK	92
MINI BRICK	94

KEY

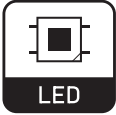
SOURCE



DISCHARGE LAMP

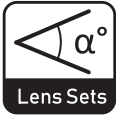


HALOGEN LAMP



LED

OPTICAL GROUP



VARIOUS LENSES SET AVAILABLE

SHIPPING FOAM



EZ shell

OUTPUT



FULL COLOR (RGBW)



HIGH QUALITY SPECTRUM



HIGH DEFINITION WHITE



TUNABLE WHITE



WHITE - VARIOUS COLOR TEMPERATURE AVAILABLE

DTS PATENT

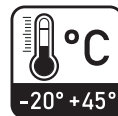
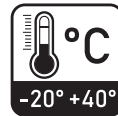
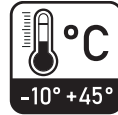
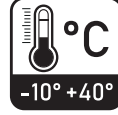


FREE PAN ROTATION



DYNAMOVE FX ENGINE

OPERATION TEMPERATURE RANGE



IP PROTECTION DEGREE



CONTROL



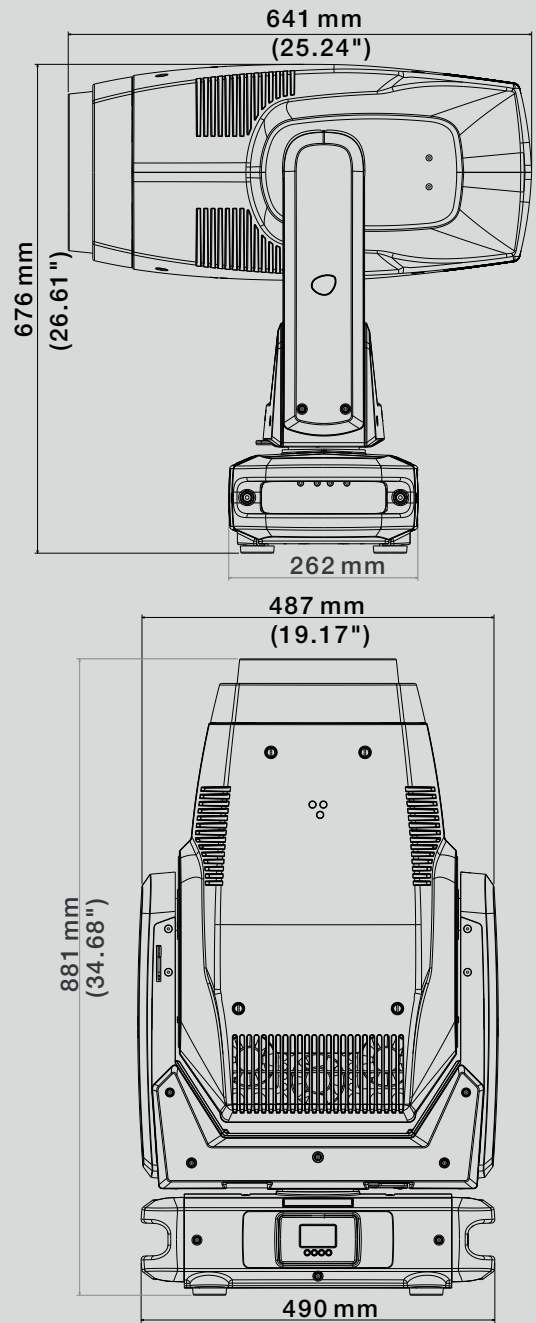
INTERNATIONAL CERTIFICATIONS



SYNERGY 7 PROFILE



PROFILE MOVING HEAD THAT OFFERS HIGH POWER, SLEEK DESIGN AND GREAT VERSATILITY



FEATURES



OPTIONALS

CERTIFICATIONS



CODE

03.MP003



TECHNICAL DATA

OUTPUT

- 1050 W pure white LED source (7000 K 55,000 Lumens output)
- Double CRI (DMX-selectable): CRI >75 or CRI >90 (R9 > 80)
- Average LED life: 50,000 hours (70% lumen output)

OPTICAL GROUP

- 101,000 Lux (7°@ 5 m)
- 7° - 52° linear zoom with autofocus
- Linear Frost filter
- Electronic dimmer / shutter / strobe (0.3 to 33.3 flash/s)

COLOR GENERATION

- Linear CMY
- Linear CTO (3000 K – 7000 K)
- Gel filter emulation
- 4-color wheel (white correction + UV)
- 5-color wheel (two-color generation)

IRIS

- Linear 16-blade Iris (15% ÷ 100%)

DYNAMIC EFFECTS

- Dynamove FX Engine (DTS patent)
- Virtual Animation Wheel
- 2 customizable rotating 6-gobo wheel
- Circular 24-facet rotating prism
- Linear 6-facet rotating prism

ROTATING FRAMING SYSTEM

- 4-blade rotating framing system
- Real 'curtain' effect for each blade
- 60° rotation for each blade (+/- 30°)
- 90° full system rotation (+/- 45°)

USER INTERFACE

- LCD graphic display + 4 soft-keys; Auto-flip; Key-Lock function
- Li-Fe backup battery for controlling the display settings even when the unit is not powered

CONTROL

- Art-Net 4, sACN, RDM/DMX 512 protocols
- 52 DMX channels (Default)

- 61 DMX channels:
 - 16 bit index for insertion and rotation of each blade
 - 16 bit index for blade system rotation
- Standard, Silent and Ultra-silent operation modes
 - Noise level at Ultra-silent mode: 36dBA @ 1m (normal operation, full power)
- Firmware updatable via DTS firmware uploader dongle

PAN & TILT

- Pan: 540°
- Tilt: 260°
- Tri-phase stepper motor technology;
- 16-bit resolution
- Pan / Tilt lock

POWER SUPPLY

- Wide range 100-240Vac 50-60 Hz
- Power consumption: 1400 W max
- Power Factor: PF >0.90

CONNECTIONS

- DMX: XLR 3-pole and 5-pole In / Out panel connectors
- Power supply: powerCON TRUE1 panel connector
- Art-Net / sACN: etherCON RJ45 panel connector

CIRCUITS PROTECTIONS

- Overvoltage and overtemperature circuits protection
- Auto-parking: internal collision protection system

OPERATING TEMPERATURE

-10° / 45° C

STORAGE TEMPERATURE

-20° / 60° C

PHYSICAL

- IP20
- Weight: 46.5 Kg (102.5 lbs)
- Finishing: Black

ACCESSORIES INCLUDED

- 1 x PowerCON TRUE1 female cable connector (code 0520P066)
- 2 x Kit Omega clamp "Fast Lock" (code 02K00549)

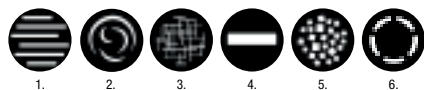
ACCESSORIES ON REQUEST

- Flightcase for 1 units (code 0521C080)
- Aliscaf clamp for tube diameter 48-51 mm - max. load. 200 Kg (code 0521A033)
- G-QUICK clamp Professional - max. load 100 Kg (code 0521A037)
- Safety cable 5 x 600 mm - max capacity load 60 Kg (code 0521A038)
- DTS firmware uploader dongle (code 03.LA.206)

PHOTOMETRIC DATA

	mt 5 ft 16.40	mt 10 ft 32.81	mt 15 ft 49.21	mt 20 ft 65.62	mt 25 ft 82.02	
BEAM ANGLE 7°	lux center (lx)	101000	25250	11222	6313	4040
	foot candles (fc)	9387	2347	1043	587	375
	diameter (cm)	61	122	183	245	306
	diameter (ft)	2.01	4.01	6.02	8.03	10.03
BEAM ANGLE 52°	mt 3 ft 9.84	mt 6 ft 19.68	mt 9 ft 29.53	mt 12 ft 39.37	mt 15 ft 49.21	
	lux center (lx)	11389	2847	1265	712	456
	foot candles (fc)	1058	265	118	66	42
	diameter (cm)	293	585	878	1171	1463
	diameter (ft)	9.60	19.20	28.80	38.40	48.00

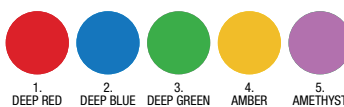
ROTATING GOBO WHEEL 1



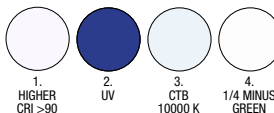
ROTATING GOBO WHEEL 2



COLOR WHEEL



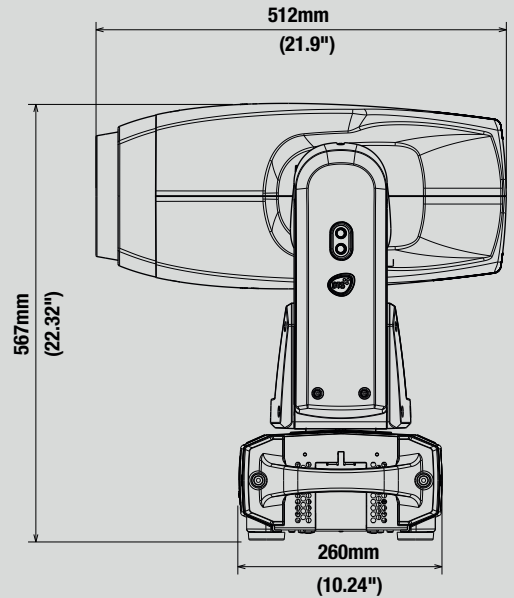
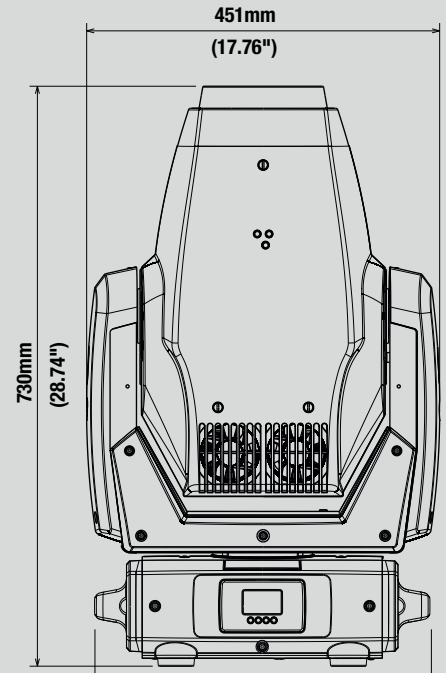
WHITE CORRECTION + UV COLOR WHEEL



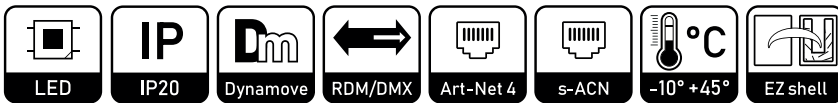
SYNERGY 6 PROFILE



WHITE SOURCE LED MOVING HEAD
WITH FRAMING SYSTEM



FEATURES



OPTIONALS

CERTIFICATIONS



CODE
03.MP004



TECHNICAL DATA

OUTPUT

- 570 W pure white LED source (7000 K 25,100 Lumens output)
- Double CRI (DMX-selectable): CRI >70 or CRI >90 / R9 >70
- Average LED life: 50,000 hours (70% lumen output)

OPTICAL GROUP

- 109,000 Lux (4.6°@ 5 m)
- 4.6° - 43° linear zoom with autofocus
- Linear soft frost filter
(Medium and Heavy frost filters available on demand)
- Electronic dimmer / shutter / strobe (0.3 to 33.3 flash/s)

COLOR GENERATION

- Linear CMY
- Linear CTO (3000 K – 7000 K)
- Gel filter emulation
- 6-color wheel
- Two-color generation

DYNAMIC EFFECTS

- Dynamove FX Engine (DTS Patent)
- Virtual Animation Wheel
- Customizable rotating 6-gobo wheel
- Circular 24-facet rotating prism
- Linear 6-facet rotating prism

ROTATING FRAMING SYSTEM

- 4-blade rotating framing system
- Real 'curtain' effect for each blade
- 60° rotation for each blade (+/- 30°)
- 90° full system rotation (+/- 45°)

CONTROL

- LCD graphic display + 4 soft-keys; Auto-flip; Key-Lock function
- Art-Net 4, sACN, RDM/DMX 512 protocols
- Standard and Silent operation modes
 - Noise level at Standard mode: 43 dBA (normal operation, full power)
 - Noise level at Silent mode: 38 dBA
- Firmware updatable via DTS firmware uploader dongle
- Li-Fe backup battery for controlling the display settings even when the unit is not powered

DMX

- 44 DMX channels (Default)
- 53 DMX channels:
 - 16 bit index for insertion and rotation of each blade
 - 16 bit index for blade system rotation

PAN & TILT

- Pan: 540°: 2.7 s
- Tilt: 240°: 1.6 s
- Tri-phase stepper motor technology;
- 16-bit resolution
- Selectable speed ranges
- Pan / Tilt lock

POWER SUPPLY

- Wide-range 100-240Vac 50-60 Hz
- Power consumption: 750 W max
- Power Factor: PF >0.90

CONNECTIONS

- DMX: XLR 3-pole and 5-pole In / Out panel connectors
- Power supply: powerCON TRUE1 In / Out panel connectors
- Art-Net / sACN: etherCON RJ45 panel connector

CIRCUITS PROTECTIONS

- Overvoltage and overtemperature circuits protection

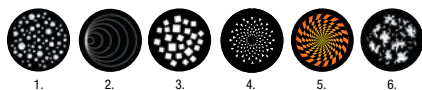
OPERATING TEMPERATURE

-10° / 45° C

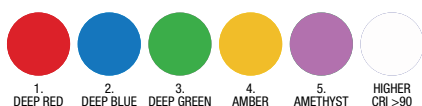
PHYSICAL

- IP20
- Weight: 34.5 Kg (76 lbs)
- Finishing: Black

ROTATING GOBO WHEEL



COLOR WHEEL



ACCESSORIES INCLUDED

- 1 x Synergy EZ-shell- 560 x 490 x 670 mm - 2 pcs needed in each flightcase (code 0512K146.1)
- 1 x Soft frost filter - already mounted on the unit (code 02SK0410)
- 1 x PowerCON TRUE1 female cable connector (code 0520P066)
- 1 x XLR 5 pins female cable connector (code 0508B147)
- 1 x XLR 5 pins male cable connector (code 0508B148)
- 2 x Kit Omega clamp "Fast Lock" (code 02K00549)

ACCESSORIES ON REQUEST

- Medium frost filter (code 02SK0428)
- Heavy frost filter (code 02SK0430)
- Flightcase for 2 units (code 0521C073)
- Aliscraf clamp for tube diameter 48-51 mm - max. load. 200 Kg (code 0521A033)
- G-QUICK clamp Professional - max. load 100 Kg (code 0521A037)
- Outdoor DMX cable 2 x 0.25 mm² - Flame retardant (code 0509C158)
- Safety cable 5 x 600 mm - max capacity load 60 Kg (code 0521A038)
- DTS firmware uploader dongle (code 03.LA.206)

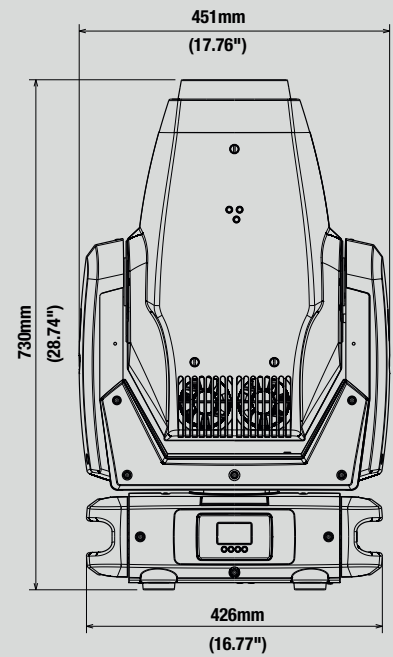
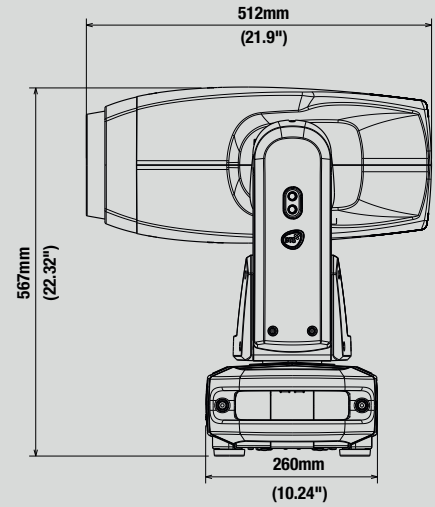
PHOTOMETRIC DATA

	mt 5 ft 16.40	mt 10 ft 32.81	mt 15 ft 49.21	mt 20 ft 65.62	mt 25 ft 82.02	
BEAM ANGLE 4.6°	lux center (lx)	109000	27250	12111	6813	4360
	foot candles (fc)	10130	2533	1126	633	405
	diameter (cm)	40	80	120	161	201
	diameter (ft)	1.32	2.64	3.95	5.27	6.59
BEAM ANGLE 43,1°	mt 5 ft 16.40	mt 10 ft 32.81	mt 15 ft 49.21	mt 20 ft 65.62	mt 25 ft 82.02	
	lux center (lx)	3200	800	356	200	128
	foot candles (fc)	297	74	33	19	12
	diameter (cm)	395	790	1185	1580	1975
	diameter (ft)	12.96	25.91	38.87	51.83	64.78

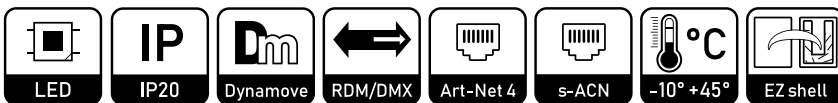
SYNERGY 5 PROFILE



HIGH POWER LED MOVING HEAD
WITH FRAMING SYSTEM



FEATURES



OPTIONALS

CERTIFICATIONS



CODE
03.MP001



TECHNICAL DATA

OUTPUT

- 420 W pure white LED source (7000 K 16,500 Lumens output)
- Double CRI (DMX-selectable): CRI >90 or CRI >75
- Average LED life: 50,000 hours (70% lumen output)

OPTICAL GROUP

- 49,900 Lux (4.6°@ 5 m)
- 4.6° - 43° linear zoom with autofocus
- Linear soft frost filter
(Medium and Heavy frost filters available on demand)
- Electronic dimmer / shutter / strobe (0.3 to 33.3 flash/sec)

COLOR GENERATION

- Linear CMY
- Linear CTO (3000 K – 7000 K)
- Gel filter emulation
- 6-color wheel
- Two-color generation

DYNAMIC EFFECTS

- Dynamove FX Engine (DTS Patent)
- Virtual Animation Wheel
- Customizable rotating 6-gobo wheel
- Circular 24-facet rotating prism
- Linear 6-facet rotating prism

ROTATING FRAMING SYSTEM

- 4-blade rotating framing system
- Real 'curtain' effect for each blade
- 60° rotation for each blade (+/- 30°)
- 90° full system rotation (+/- 45°)

CONTROL

- LCD graphic display + 4 soft-keys; Auto-flip; Key-Lock function
- Art-Net 4, sACN, RDM/DMX 512 protocols
- Standard and Silent operation modes
 - Noise level at Silent mode: 37dBA @ 1m (normal operation, full power)
- Firmware updatable via DTS firmware uploader dongle
- Li-Fe backup battery for controlling the display settings even when the unit is not powered

DMX

- 44 DMX channels (Default)
- 53 DMX channels:
 - 16 bit index for insertion and rotation of each blade
 - 16 bit index for blade system rotation

PAN & TILT

- Pan: 540°: 2.7 s
- Tilt: 240°: 1.6 s
- Tri-phase stepper motor technology;
- 16-bit resolution
- Selectable speed ranges
- Pan / Tilt lock

POWER SUPPLY

- Wide-range 100-277Vac 50-60 Hz
- Power consumption: 550 W max
- Power Factor: PF >0.90

CONNECTIONS

- DMX: XLR 3-pole and 5-pole In / Out panel connectors
- Power supply: powerCON TRUE1 In / Out panel connectors
- Art-Net / sACN: etherCON RJ45 panel connector

CIRCUITS PROTECTIONS

- Overvoltage and overtemperature circuits protection

OPERATING TEMPERATURE

-10° / 45° C

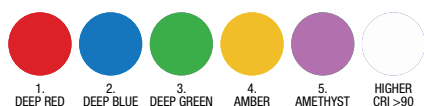
PHYSICAL

- IP20
- Weight: 35 Kg (77 lbs)
- Finishing: Black

ROTATING GOBO WHEEL



COLOR WHEEL



ACCESSORIES INCLUDED

- 1 x Synergy EZ-shell- 560 x 490 x 670 mm - 2 pcs needed in each flightcase (code 0512K146)
- 1 x Soft frost filter - already mounted on the unit (code 02SK0410)
- 1 x PowerCON TRUE1 female cable connector (code 0520P066)
- 1 x XLR 5 pins female cable connector (code 0508B147)
- 1 x XLR 5 pins male cable connector (code 0508B148)
- 2 x Kit Omega clamp "Fast Lock" (code 02K00549)

ACCESSORIES ON REQUEST

- Medium frost filter (code 02SK0428)
- Heavy frost filter (code 02SK0430)
- Flightcase for 2 units (code 0521C073)
- Aliscap clamp for tube diameter 48-51 mm - max. load. 200 Kg (code 0521A033)
- G-QUICK clamp Professional - max. load 100 Kg (code 0521A037)
- Outdoor DMX cable 2 x 0,25 mm² - Flame retardant (code 0509C158)
- Safety cable 5 x 600 mm - max capacity load 60 Kg (code 0521A038)
- DTS firmware uploader dongle (code 03.LA.206)

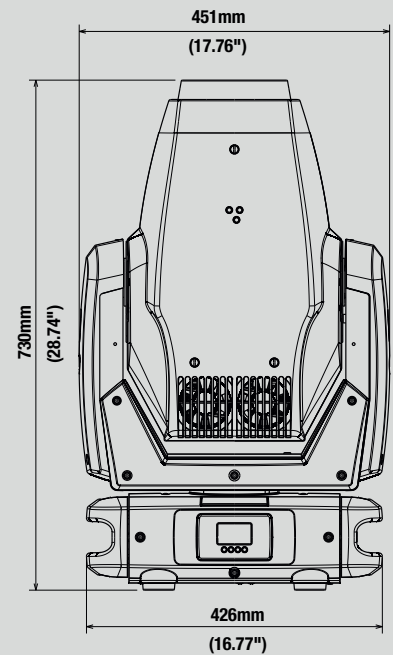
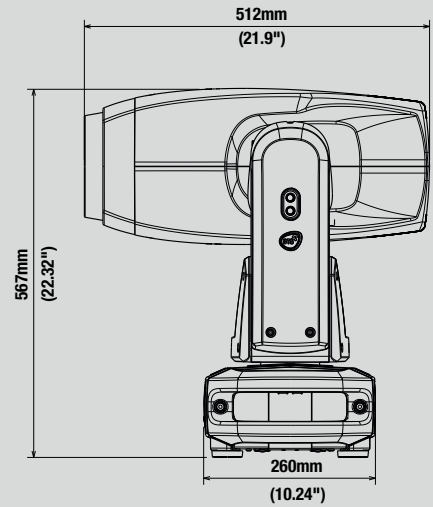
PHOTOMETRIC DATA

	mt 5 ft 16.40	mt 10 ft 32.81	mt 15 ft 49.21	mt 20 ft 65.62	mt 25 ft 82.02	
BEAM ANGLE 4.6°	lux center (lx)	49940	12485	5549	3121	1998
	foot candles (fc)	4641	1160	516	290	186
	diameter (cm)	40	80	120	161	201
	diameter (ft)	1.32	2.64	3.95	5.27	6.59
BEAM ANGLE 43°	mt 3 ft 9.84	mt 6 ft 19.68	mt 9 ft 29.53	mt 12 ft 39.37	mt 15 ft 49.21	
	lux center (lx)	4119	1030	458	257	165
	foot candles (fc)	383	96	43	24	15
	diameter (cm)	236	473	709	945	1182
	diameter (ft)	7.75	15.51	23.26	31.02	38.77

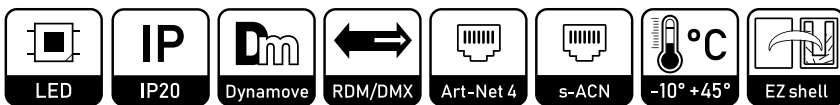
SYNERGY 5 SPOT



HIGH POWER LED MOVING HEAD
FOR ENTERTAINMENT AND
BROADCAST APPLICATIONS



FEATURES



OPTIONALS

CERTIFICATIONS



CODE
03.MS022



TECHNICAL DATA

OUTPUT

- 420 W pure white LED source (7000 K 16,500 Lumens output)
- Double CRI (DMX-selectable):
CRI >90 or CRI >75
- Average LED life: 50,000 hours (70% lumen output)

OPTICAL GROUP

- 48,500 Lux (5.5°@ 5 m)
- 5.5° - 43° linear zoom with autofocus
- Linear soft frost filter
(Medium and Heavy frost filters available on demand)
- Electronic dimmer / shutter / strobe (0.3 to 33.3 flash/sec)

COLOR GENERATION

- Linear CMY
- Linear CTO (3000 K – 7000 K)
- Gel filter emulation
- 6-color wheel
- Two-color generation

DYNAMIC EFFECTS

- Dynamove FX Engine (DTS Patent)
- Virtual Animation Wheel
- Customizable rotating 6-gobo wheel
- Fixed 13-gobo wheel
- Circular 24-facet rotating prism
- Linear 6-facet rotating prism

CONTROL

- LCD graphic display + 4 soft-keys; Auto-flip; Key-Lock function
- Art-Net 4, sACN, RDM/DMX 512 protocols
- Standard and Silent operation modes
- Noise level at Silent mode: 37dBA @ 1m (normal operation, full power)
- Firmware updatable via DTS firmware uploader dongle
- Li-Fe backup battery for controlling the display settings even when the unit is not powered

DMX

- 37 DMX channels

PAN & TILT

- Pan: 540°: 2.7 s
- Tilt: 240°: 1.6 s
- Tri-phase stepper motor technology;
- 16-bit resolution
- Selectable speed ranges
- Pan / Tilt lock

POWER SUPPLY

- Wide-range 100-277Vac 50-60 Hz
- Power consumption: 550 W max
- Power Factor: PF >0.90

CONNECTIONS

- DMX: XLR 3-pole and 5-pole In / Out panel connectors
- Power supply: powerCON TRUE1 In / Out panel connectors
- Art-Net / sACN: etherCON RJ45 connector

CIRCUITS PROTECTIONS

- Overvoltage and overtemperature circuits protection

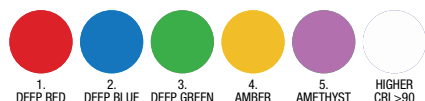
OPERATING TEMPERATURE

-10° / 45° C

PHYSICAL

- IP20
- Weight: 35 Kg (77 lbs)
- Finishing: Black

COLOR WHEEL



ACCESSORIES INCLUDED

- 1 x Synergy EZ-shell- 560 x 490 x 670 mm - 2 pcs needed in each flightcase (code 0512K146.1)
- 1 x Soft frost filter - already mounted on the unit (code 02SK0410)
- 1 x PowerCON TRUE1 female cable connector (code 0520P066)
- 1 x XLR 5 pins female cable connector (code 0508B147)
- 1 x XLR 5 pins male cable connector (code 0508B148)
- 2 x Kit Omega clamp "Fast Lock" (code 02K00549)

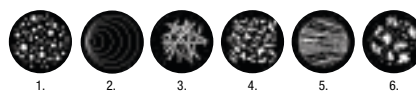
ACCESSORIES ON REQUEST

- Medium frost filter (code 02SK0428)
- Heavy frost filter (code 02SK0430)
- Flightcase for 2 units (code 0521C073)
- Aliscraf clamp for tube diameter 48-51 mm - max. load. 200 Kg (code 0521A033)
- G-QUICK clamp Professional - max. load 100 Kg (code 0521A037)
- Outdoor DMX cable 2 x 0.25 mm² - Flame retardant (code 0509C158)
- Safety cable 5 x 600 mm - max capacity load 60 Kg (code 0521A038)
- DTS firmware uploader dongle (code 03.LA.206)

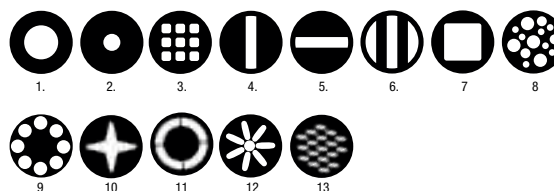
PHOTOMETRIC DATA

	mt 5 ft 16.40	mt 10 ft 32.81	mt 15 ft 49.21	mt 20 ft 65.62	mt 25 ft 82.02	
BEAM ANGLE 5.5°	lux center (lx)	48500	12125	5389	3031	1940
	foot candles (fc)	4507	1127	501	282	180
	diameter (cm)	48	96	144	192	240
	diameter (ft)	1.58	3.15	4.73	6.30	7.88
	mt 3 ft 9.84	mt 6 ft 19.68	mt 9 ft 29.53	mt 12 ft 39.37	mt 15 ft 49.21	
BEAM ANGLE 43°	lux center (lx)	4119	1030	458	257	165
	foot candles (fc)	383	96	43	24	15
	diameter (cm)	236	473	709	945	1182
	diameter (ft)	7.75	15.51	23.26	31.02	38.77

ROTATING GOBO WHEEL



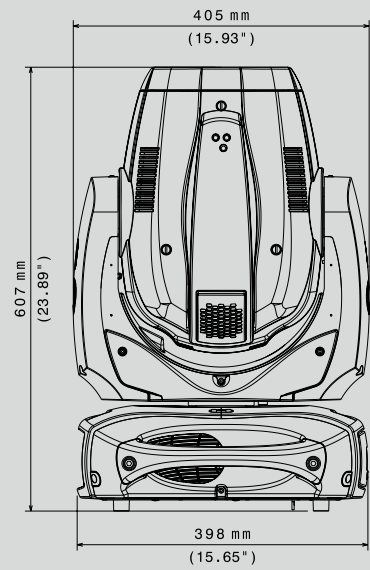
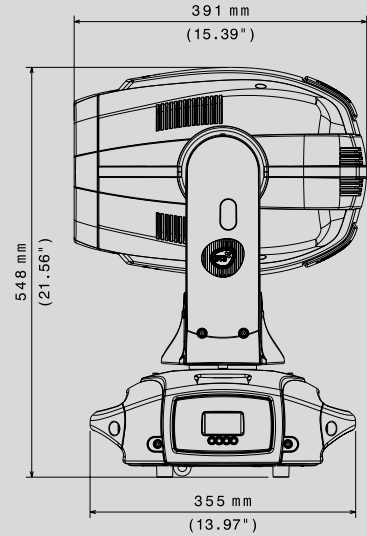
FIXED GOBO WHEEL



CORE



BEAM AND SPOT ALL IN ONE
FOR A RANGE OF PROFESSIONAL
APPLICATIONS



FEATURES



OPTIONALS

CERTIFICATIONS



CODE

03.MS018.L



TECHNICAL DATA

OUTPUT

- Lamp: Osram Sirius HRI 440 W (24,000 Lumens)
 - Color temperature: 7000 K
 - CRI: 80
 - Average lamp life: 1,500 hours

OPTICAL GROUP

- Improved optical group: Spot and Beam all in one
- 1,530,000 Lux @ 5 m
- 16-bit motorized wide-excursion linear zoom
- Beam opening: 2° - 39°
- 16-bit motorized linear focus
- Linear dimmer / shutter / strobe (0.85 flash/sec to 10 flash/sec)
- Effect glass filters
- Frost Filter

COLOR GENERATION

- 16-color wheel
- Two-tone generation

DYNAMIC EFFECTS

- Overlapping wheel for multiple effects:
 - Customizable rotating gobo wheel (9 gobos)
 - Fixed gobo wheel (17 gobos + animation sector + Open)
- 8-facet rotating prism

CONTROL

- Auto flip LCD graphic display + 4 soft-keys (control / management of the main parameters)
- Controlled via DMX 512 and RDM standard digital communication protocols
- Firmware updatable via DTS firmware uploader dongle

DMX

- 24 DMX channels (default)
- 18 DMX channels

PAN & TILT

- Pan: 540°: 2.7 s
- Tilt: 244°: 2 s
- Tri-phase stepper motor technology for ultra-fast silent movements
- 16-bit resolution
- Selectable speed ranges
- Pan / Tilt lock

POWER SUPPLY

- Wide-range 100-240Vac 50-60 Hz
- Power consumption: 600 W with PFC
- Power saving mode (the lamp dims to 80% after shutter closure)
- Power Factor: PF >0.90

CONNECTIONS

- DMX: XLR 3-pole and 5-pole In / Out panel connectors
- Power supply: powerCON In / Out panel connectors

CIRCUITS PROTECTIONS

- Overvoltage and overtemperature circuits protection

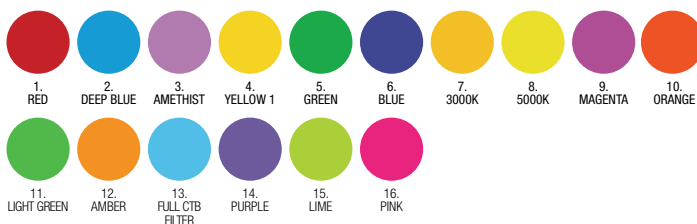
OPERATING TEMPERATURE

-10° / 40° C

PHYSICAL

- IP20
- Weight: 24.3 Kg (53.6 lbs)
- Finishing: Black

COLOR WHEEL



ACCESSORIES INCLUDED

- 1 x PowerCON female cable connector (code 0520P014)
- 1 x XLR 5 Pins male cable connector (code 0508B148)
- 1 x XLR 5 Pins female cable connector (code 0508B147)
- 2 x Omega Bracket with "Fast Lock" connection 1/4 turn (code 02K00549)

ACCESSORIES ON REQUEST

- Lamp 440W SIRIUS HRI (code 0505S039)
- Flightcase for 2 units (code 0521C065.2)
- Aliscap clamp for tube diameter 48-51 mm - max. load. 200 Kg (code 0521A033)
- G-QUICK clamp Professional -max. load 100 Kg (code 0521A037)
- Custom gobo for rotating wheel (code 0516R001.58)
- Outdoor DMX cable 2 x 0,25 mm² - Flame retardant (code 0509C158)
- Safety cable 3 x 600 mm - Max load 30 Kg (code 0521A010)
- DTS firmware uploader dongle (code 03.LA.206)

PHOTOMETRIC DATA

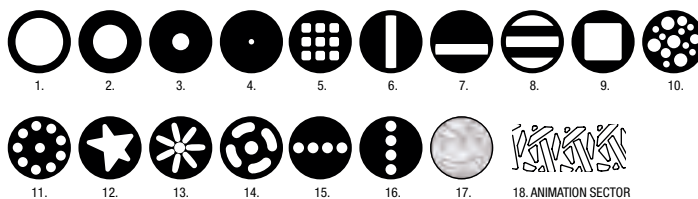
	mt 5 ft 16.40	mt 15 ft 49.21	mt 25 ft 82.02	mt 50 ft 164.04	mt 100 ft 328.08
BEAM ANGLE 2°					
lux center (lx)	1530000	170000	61200	15300	3825
foot candles (fc)	142193	15799	5688	1422	355
diameter (cm)	17	52	87	175	349
diameter (ft)	0.57	1.72	2.86	5.73	11.45

	mt 5 ft 16.40	mt 15 ft 49.21	mt 25 ft 82.02	mt 50 ft 164.04	mt 100 ft 328.08
BEAM ANGLE 39°					
lux center (lx)	5300	589	212	53	13
foot candles (fc)	493	55	20	5	1
diameter (cm)	354	1062	1771	3541	7082
diameter (ft)	11.62	34.85	58.09	116.18	232.36

ROTATING GOBO WHEEL



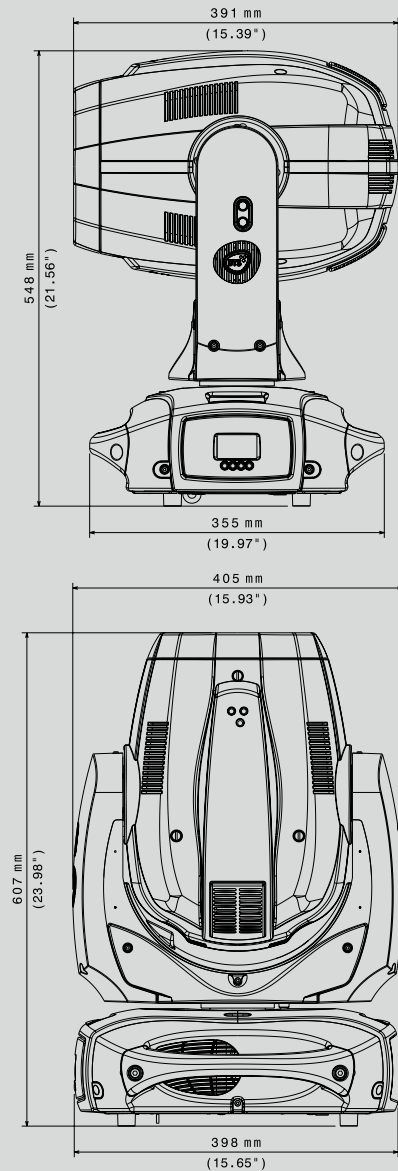
FIXED GOBO WHEEL



EVO



BEAM AND SPOT MOVING HEAD
PERFECT FOR CONCERTS AND TV
STUDIOS



FEATURES



OPTIONALS

CERTIFICATIONS



CODE
03.MS016.LFP



TECHNICAL DATA

OUTPUT

- Lamp: Osram Sirius HRI 440 W (24,000 Lumens)
 - Color temperature: 7000 K
 - CRI: 80
 - Average lamp life: 1,500 hours

OPTICAL GROUP

- Improved optical group: Spot and Beam all in one
- 1,530,000 Lux @ 5 m
- 16-bit motorized wide-exursion linear zoom
- Beam opening: 2° - 39°
- 16-bit motorized linear focus
- Linear dimmer / shutter / strobe (0.85 flash/sec to 10 flash/sec)
- Effect glass filters
- Frost Filter

COLOR GENERATION

- Linear CMY + CTO
- 21-color wheel
- Two-tone generation

DYNAMIC EFFECTS

- Overlapping wheel for multiple effects:
 - Customizable rotating gobo wheel (8 gobos + Open)
 - Fixed gobo wheel (17 gobos + animation sector + Open)
- 8-facet and linear rotating prism
- Dyna-Prism (DTS patent)

CONTROL

- Auto flip LCD graphic display + 4 soft-keys (control / management of the main parameters)
- Controlled via DMX 512 and RDM standard digital communication protocols
- Internal operating system updatable via DTS dongle firmware uploader

- Li-Fe backup battery for controlling the main parameters even when EVO is not powered

DMX

- 32 DMX channels (default)
- 24 DMX channels

PAN & TILT

- 'FPR' system (DTS patent)
- Pan: limitless rotation, in both directions
- Tilt: 244°: 2 sec.
- Tri-phase stepper motor technology for ultra-fast silent movements
- 16-bit resolution
- Selectable speed ranges
- Pan / Tilt lock

POWER SUPPLY

- Full-range 100-240Vac 50-60 Hz
- Power consumption: 600 W with PFC
- Power saving mode (the lamp dims to 80% after shutter closure)
- Power Factor: PF >0.90

CONNECTIONS

- DMX: XLR 3-pole and 5-pole In / Out panel connectors
- Power supply: powerCON In / Out panel connectors

INTERNAL SAFETY DEVICES

- Overvoltage and overtemperature circuits protection

OPERATING TEMPERATURE

-10° / 40° C

PHYSICAL

- IP20
- Weight: 24.4 Kg (53.8 lbs)
- Finishing: Black

ACCESSORIES INCLUDED

- 1 x PowerCON female cable connector (code 0520P014)
- 1 x XLR 5 Pins male cable connector (code 0508B148)
- 1 x XLR 5 Pins female cable connector (code 0508B147)
- 2 x Omega Bracket with "Fast Lock" connection 1/4 turn (code 02K00549)

ACCESSORIES ON REQUEST

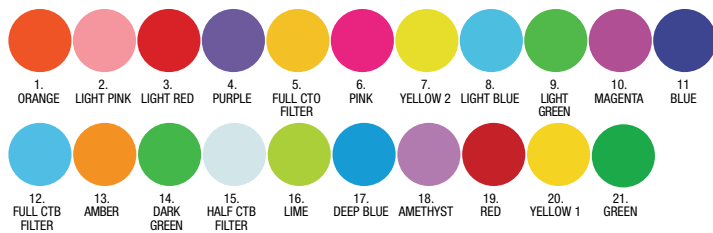
- Lamp 440W SIRIUS HRI (code 0505S039)
- Flightcase for 2 units (code 0521C065.2)
- Aliscaf clamp for tube diameter 48-51 mm - max. load. 200 Kg (code 0521A033)
- G-QUICK clamp Professional -max. load 100 Kg (code 0521A037)
- Custom gobo for rotating wheel (code 0516R001.58)
- Outdoor DMX cable 2 x 0,25 mm² - Flame retardant (code 0509C158)
- Safety cable 5 x 600 mm - max capacity load 60 Kg (code 0521A038)
- DTS dongle firmware uploader (code 03.LA.206)

PHOTOMETRIC DATA

	mt 5 ft 16.40	mt 15 ft 49.21	mt 25 ft 82.02	mt 50 ft 164.04	mt 100 ft 328.08	
BEAM ANGLE 2°	lux center (lx)	1530000	170000	61200	15300	3825
	foot candles (fc)	142193	15799	5688	1422	355
	diameter (cm)	17	52	87	175	349
	diameter (ft)	0.57	1.72	2.86	5.73	11.45

	mt 5 ft 16.40	mt 15 ft 49.21	mt 25 ft 82.02	mt 50 ft 164.04	mt 100 ft 328.08	
BEAM ANGLE 39°	lux center (lx)	5300	589	212	53	13
	foot candles (fc)	493	55	20	5	1
	diameter (cm)	354	1062	1771	3541	7082
	diameter (ft)	11.62	34.85	58.09	116.18	232.36

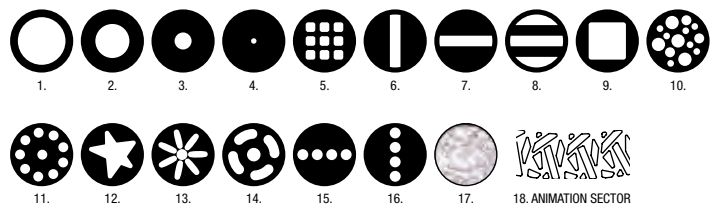
COLOR WHEEL



ROTATING GOBO WHEEL



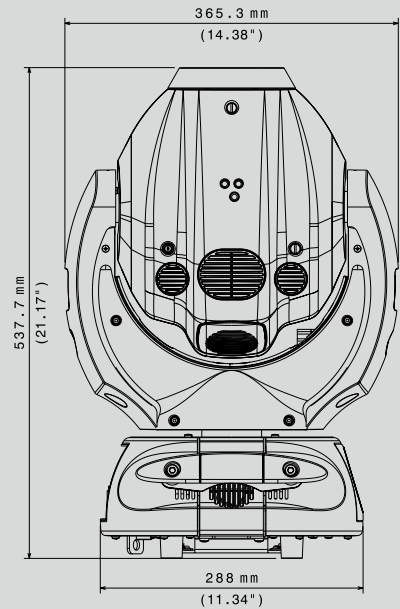
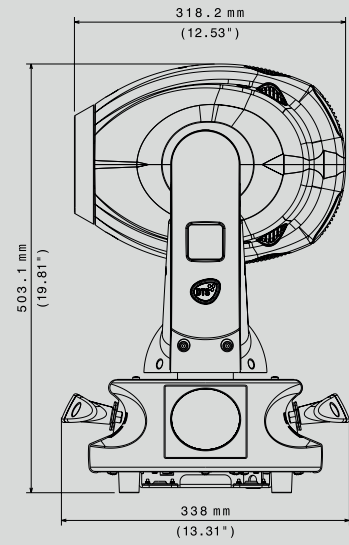
FIXED GOBO WHEEL



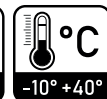
RAPTOR



ULTRA BRIGHT, FAST MOVEMENT
BEAM MOVING HEAD



FEATURES



OPTIONALS

CERTIFICATIONS



CODE

03.MB005.EB.LFP



TECHNICAL DATA

OUTPUT

- Lamp: Osram Sirius HRI 330 W (16,500 Lumens)
- Color temperature: 7500 K
- CRI: 80
- Average lamp life: 1,500 hours

OPTICAL GROUP

- Beam opening: 3.4°
- 156,800 Lux @ 15 m
- 16-bit motorized linear focus
- Linear dimmer / shutter / ultra-fast strobe

COLOR GENERATION

- 17-color wheel with linear selection for perfect 2-color beams

DYNAMIC EFFECTS

- 17-gobo wheel
- 8-facet rotating prism

FILTERS

- Smooth filter (eliminates the hot spot, evenly diffusing luminosity)
- Frost filter

CONTROL

- LCD graphic display + 4 soft-keys (control / management of the main parameters)
- Controlled via DMX 512 and RDM standard digital communication protocols
- Firmware updatable via DTS firmware uploader dongle

DMX

- 18 DMX channels (default)
- 20 DMX channels

PAN & TILT

- 'FPR' system (DTS patent)
- Pan: limitless rotation, in both directions
- Tilt: 240°: 1.2 s
- Tri-phase stepper motor technology for ultra-fast silent movements
- 16-bit resolution
- Selectable speed ranges

POWER SUPPLY

- Wide-range 100-240Vac 50-60 Hz
- Power consumption: 450 W with PFC
- Power Factor: PF >0.90

CONNECTIONS

- DMX: XLR 3-pole and 5-pole In / Out panel connectors
- Power supply: powerCON In / Out panel connectors

CIRCUITS PROTECTIONS

- Overvoltage and overtemperature circuits protection

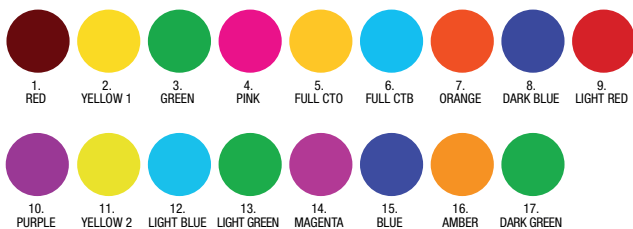
OPERATING TEMPERATURE

-10° / 40° C

PHYSICAL

- IP20
- Weight: 17 Kg (37.5 lbs)
- Finishing: Black

COLOR WHEEL



ACCESSORIES INCLUDED

- 1 x PowerCON female cable connector (code 0520P014)
- 1 x XLR 5 Pins male cable connector (code 0508B148)
- 1 x XLR 5 Pins female cable connector (code 0508B147)
- 2 x Omega Bracket with "Fast Lock" connection 1/4 turn (code 02K00549)

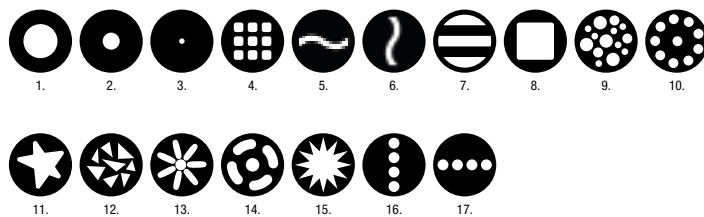
ACCESSORIES ON REQUEST

- Lamp Osram Sirius HRI 330 W (code 0505S037)
- Flightcase for 4 units (code 0521C059.1)
- Aliscraf clamp for tube diameter 48-51 mm - max. load. 200 Kg (code 0521A033)
- G-QUICK clamp Professional -max. load 100 Kg (code 0521A037)
- Outdoor DMX cable 2 x 0,25 mm² - Flame retardant (code 0509C158)
- Safety cable 3 x 600 mm - Max load 30 Kg (code 0521A010)
- DTS firmware uploader dongle (code 03.LA.206)

PHOTOMETRIC DATA

	mt 5 ft 16.40	mt 15 ft 49.21	mt 25 ft 82.02	mt 50 ft 164.04	mt 100 ft 328.08
BEAM ANGLE 3.4° lux center (lx)	1411200	156800	56448	14112	3528
foot candles (fc)	131152	14572	5246	1312	328
diameter (cm)	30	89	148	297	594
diameter (ft)	0.97	2.92	4.87	9.74	19.47

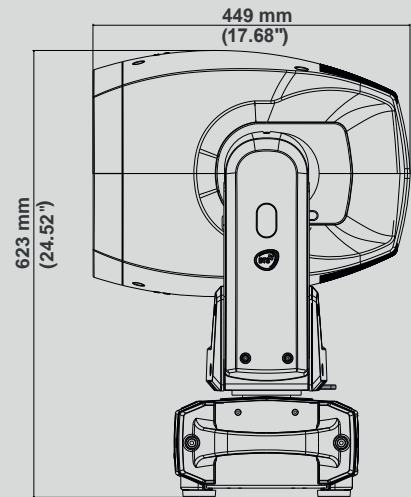
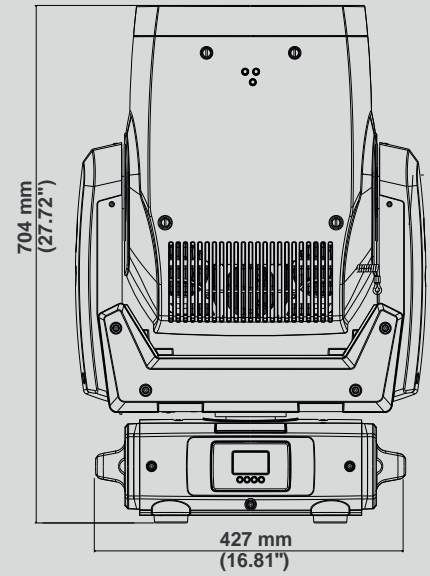
FIXED GOBO WHEEL



ALCHEMY 7



THE NEW-GENERATION FRESNEL
LED WASH LIGHT WITH HIGH
POWER PERFORMANCE



FEATURES



CERTIFICATIONS



CODE

03.MW012



TECHNICAL DATA

OUTPUT

- Multi-chip LED source
- LED source: 800 W
- Lumen output: 22,000 lm
- CRI: up to 98
- TLCI: up to 96
- LED lifespan: 20,000 hours (70% lumen output)

OPTICAL GROUP

- 15 - 50° linear zoom
- Ø 250 mm Fresnel lens
- Indexable beam shaper (2:1 ratio) with endless continuous rotation
- Heavy frost filter insertable via DMX
- Retractable 'top hat'

COLOR & WHITE GENERATION

- 6-color LED engine
- Linear CCT (1,800 K - 10,000 K)
- Linear 'green saturation'
- 100 gel filters emulation:
 - Linear crossfade from gel filters emulation to CCT whites
 - Linear crossfade between emulated gel filters
 - True color of gel filters emulation at any CCT values
- "Raw" RGBACL color-mixing in 'Advanced' mode
- Deep blue and Deep red filters (DMX-selectable)

ROTATING FRAMING SYSTEM

- 2-blade rotating framing system
- Real "curtain" effect for each blade
- 60° rotation for each blade (+/- 30°)
- 180° full system rotation (+/- 90°)

DIMMER

- Hi-Q Dimming technology
- Tungsten Emulation function

CONTROL

- LCD graphic display with 4 soft keys ("auto-flip" and "key-lock" functions available)
- Art-Net 4, sACN, RDM/DMX 512 protocols
- 'Standard' and 'Silent' operation modes

- Noise level at Silent mode: 38 dBA @ 1 m (normal operation, full power)
- Firmware updatable via DTS firmware uploader dongle
- "Li-Fe" backup battery allows the use of the unit's on-board display when it is not powered, besides ensuring a safe return and blockage of the top hat during shut down

DMX

- 5 DMX modes:
 - 1. CCT (default)
 - 2. Advanced
 - 3. Basic
 - 4. Expo
 - 5. CMY Emulation

PAN & TILT

- Pan 540° : 3.8 s
- Tilt 220° : 2.1 s
- 16-bit resolution
- Pan / Tilt lock

POWER SUPPLY

- Electronic Wide-range 100/240 Vac 50-60 Hz
- Power consumption: 800 W max
- Power Factor: PF >0.90

CONNECTIONS

- DMX: XLR 3-pole and 5-pole In/Out panel connectors
- Power supply: powerCON TRUE1 panel connector
- Art-Net / sACN: etherCON RJ45 panel connector

CIRCUITS PROTECTION

- Overvoltage and overtemperature circuits protection

OPERATING TEMPERATURE

-10 / 45 °C

STORAGE TEMPERATURE

-20 / 60 °C

PHYSICAL

- IP20
- Weight: 34 Kg (75 lbs)
- Finishing: Black

ACCESSORIES INCLUDED

- 1x PowerCON TRUE1 female connector (code 0520P066)
- 2x Omega clamp with ¼- turn "Fast Lock" connection (code 02K00549)

ACCESSORIES ON REQUEST

- Aliscaf clamp for tube diameter 48-51 mm - max. load. 200 Kg (code 0521A033)
- G-QUICK clamp Professional -max. load 100 Kg (code 0521A037)
- Safety cable 5 x 600 mm - max capacity load 60 Kg (code 0521A038)
- DTS firmware uploader dongle (code 03.LA.206)

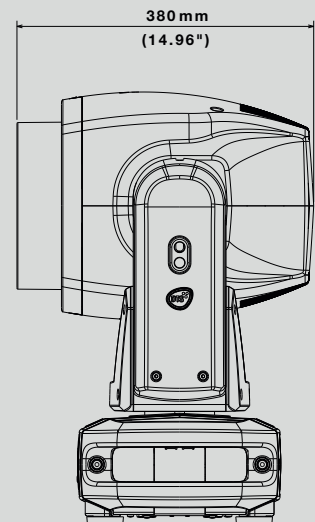
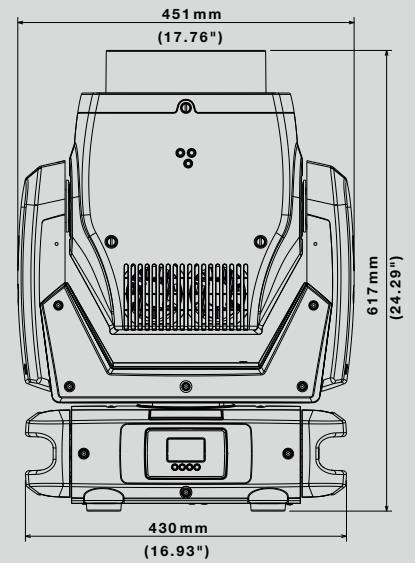
PHOTOMETRIC DATA

		mt 5 ft 16.40	mt 10 ft 32.81	mt 15 ft 49.21	mt 20 ft 65.62	mt 25 ft 82.02	
BEAM ANGLE 15° - @ 50%	3200 K	lux center (lx)	8568	2142	952	536	343
		foot candles (fc)	796	199	88	50	32
	4000 K	lux center (lx)	10710	2678	1190	669	428
		foot candles (fc)	995	249	111	62	40
	5600 K	lux center (lx)	12060	3015	1340	754	482
		foot candles (fc)	1121	280	125	70	45
		diameter (cm)	132	263	395	527	658
		diameter (ft)	4.32	8.64	12.96	17.28	21.60
		mt 3 ft 9.84	mt 6 ft 19.68	mt 9 ft 29.53	mt 12 ft 39.37	mt 15 ft 49.21	
BEAM ANGLE 50° - @ 10%	3200 K	lux center (lx)	5500	1375	611	344	220
		foot candles (fc)	511	128	57	32	20
	4000 K	lux center (lx)	6800	1700	756	425	272
		foot candles (fc)	632	158	70	39	25
	5600 K	lux center (lx)	7750	1938	861	484	310
		foot candles (fc)	720	180	80	45	29
		diameter (cm)	280	560	839	1119	1399
		diameter (ft)	9.18	18.36	27.54	36.72	45.90

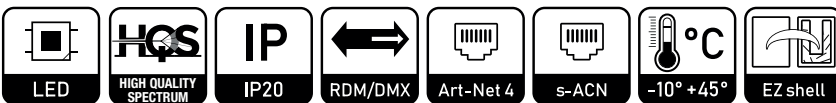
ALCHEMY 5



THE NEW-GENERATION FRESNEL
LED WASH LIGHT



FEATURES



OPTIONALS

CERTIFICATIONS



CODE
03.MW009



TECHNICAL DATA

OUTPUT

- Multi-chip LED source
- LED source: 400 W
- Lumen output: 10,800
- CRI: up to 98
- TLCI: up to 96
- LED lifespan: 20,000 hours (70% lumen output)

OPTICAL GROUP

- 10° - 47° linear zoom
- Ø 250 mm Fresnel lens
- Beam shaper (2x1 ratio) with endless rotation; indexable
- 2 frost filters (soft and heavy) insertable via DMX
- Retractable 'top hat'

COLOR & WHITE GENERATION

- 6-color LED engine
- Linear CCT (1,800 K - 10,000 K)
- Linear 'green saturation'
- 100 gel filters emulation:
 - Linear crossfade from gel filters emulation to CCT whites
 - Linear crossfade between emulated gel filters
 - True color of gel filters emulation at any CCT values
- "Raw" RGBACL color-mixing in 'Advanced' mode
- Deep blue and Deep red filters (DMX-selectable)

DIMMER

- Hi-Q Dimming technology
- Tungsten Emulation function

CONTROL

- LCD graphic display with 4 soft keys ("auto-flip" and "key-lock" functions available)
- Art-Net 4, sACN, RDM/DMX 512 protocols
- 'Standard' and 'Silent' operation modes
 - Noise level at Silent mode: 37dBA @ 1m (normal operation, full power)
- Firmware updatable via DTS firmware uploader dongle
- "Li-Fe" backup battery allows the use of the unit's on-board display when it is not powered, besides ensuring a safe return and blockage of the top hat during shut down

DMX

- 5 DMX modes:
 - 1. CCT (default)
 - 2. Advanced
 - 3. Basic
 - 4. Expo
 - 5. CMY Emulation

PAN & TILT

- Pan 540° : 3.8 s
- Tilt 220° : 2.1 s
- 16-bit resolution
- Pan / Tilt lock

POWER SUPPLY

- Electronic Wide-range 100/277 Vac 50-60 Hz
- Power consumption: 450 W max
- Power Factor: PF >0.90

CONNECTIONS

- DMX: XLR 3-pole and 5-pole In/Out panel connectors
- Power supply: PowerCON TRUE1 In/Out panel connectors
- Art-Net / sACN: etherCON RJ45 panel connector

CIRCUITS PROTECTIONS

- Overvoltage and overtemperature circuits protection

OPERATING TEMPERATURE

-10° / 45° C

PHYSICAL

- IP20
- Weight: 26.5 Kg (58.0 lbs)
- Finishing: Black

ACCESSORIES INCLUDED

- 1 x PowerCON TRUE1 female cable connector (code 0520P066)
- 2 x Omega bracket with "Fast Lock" connection 1/4 turn (code 02K00549)
- 1 x Alchemy 5 EZ-shell 560 x 490 x 670 mm - 2 pcs needed in each flightcase (0512K152.1)

ACCESSORIES ON REQUEST

- Aliscap clamp for tube diameter 48-51 mm - max. load. 200 Kg (code 0521A033)
- G-QUICK clamp Professional - max. load 100 Kg (code 0521A037)
- Flightcase for 2 units (code 0521C078)
- Outdoor DMX cable 2 x 0,25 mm² - Flame retardant (code 0509C158)
- Safety cable 5 x 600 mm - max capacity load 60 Kg (code 0521A038)
- DTS firmware uploader dongle (code 03.LA.206)

PHOTOMETRIC DATA

		mt 5 ft 16.40	mt 10 ft 32.81	mt 15 ft 49.21	mt 20 ft 65.62	mt 25 ft 82.02	
BEAM ANGLE 10° - @ 50%	3200 K	lux center (lx)	7000	1750	778	438	280
		foot candles (fc)	651	163	72	41	26
	4000 K	lux center (lx)	8875	2219	986	555	355
		foot candles (fc)	825	206	92	52	33
	5600 K	lux center (lx)	10100	2525	1122	631	404
		foot candles (fc)	939	235	104	59	38
diameter (cm)		87	175	262	350	437	
diameter (ft)		2.87	5.74	8.61	11.48	14.35	

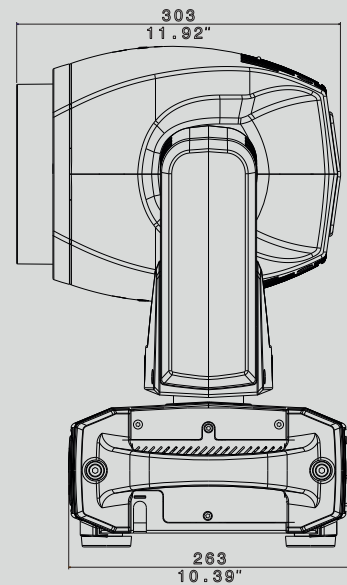
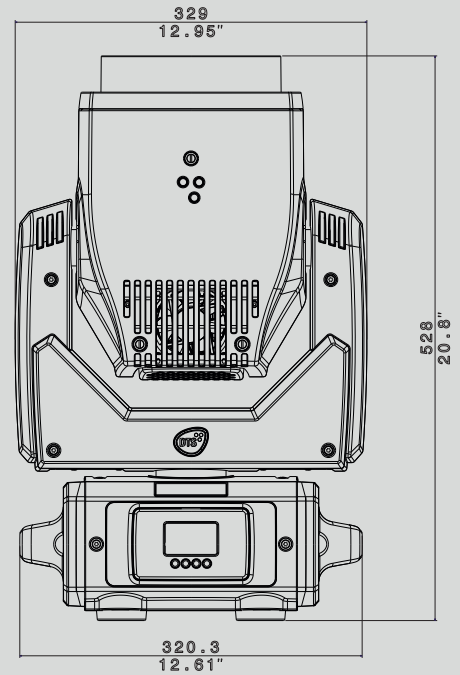
		mt 3 ft 9.84	mt 6 ft 19.68	mt 9 ft 29.53	mt 12 ft 39.37	mt 15 ft 49.21	
BEAM ANGLE 47° - @ 10%	3200 K	lux center (lx)	1500	375	167	94	60
		foot candles (fc)	139	35	15	9	6
	4000 K	lux center (lx)	1720	430	191	108	69
		foot candles (fc)	160	40	18	10	6
	5600 K	lux center (lx)	1967	492	219	123	79
		foot candles (fc)	183	46	20	11	7
diameter (cm)		261	522	783	1044	1304	
diameter (ft)		8.56	17.12	25.68	34.24	42.80	

WASH MOVING HEADS

ALCHEMY PRO



THE ENHANCED NEW-GENERATION FRESNEL LED WASH LIGHT IN A COMPACT SIZE



MADE IN ITALY

www.dts.lighting.it

FEATURES



OPTIONALS



CERTIFICATIONS



CODE

ALCHEMY PRO

03.MW014



TECHNICAL DATA

OUTPUT

- Lumen output: 8200
- CRI: up to 98
- R9: up to 95
- TLCI: up to 96
- LED lifespan: 20000 hours (70% lumen output)

OPTICAL GROUP

- Ø 175 mm Fresnel lens
- 10°- 36° linear zoom
- Indexable beam shaper (2:1 ratio) with endless continuous rotation
- Heavy frost filter insertable via DMX
- Retractable 'top hat'

COLOR / WHITE GENERATION

- 6 color LED engine
- Linear CCT (1,800 K - 10,000 K)
- Green saturation: Linearly adjustable green/magenta point
- 100 gel filters emulation:
 - Linear crossfade from gel filters emulation to CCT whites
 - Linear crossfade between emulated gel filters
 - True color of gel filters emulation at any CCT values
- "Raw" RGBACL color-mixing in 'Advanced' mode
- Extra deep colors: Two DMX-selectable filters ('deep blue' and 'deep red') allow to further extend the range of reproducible colors toward the two ends of the visible spectrum
- HQS (High Quality Spectrum) - DTS trademark certifies a product' superior white light quality and its ability to generate an extended color palette offering a wider gamut of pastel shades with rich warm nuances.

DIMMER

- 'Hi-Q Dimming' technology – guarantees a perfect linearity in the increase / attenuation of brightness of multi-chip LED sources, even at low dimming levels, without visible 'steps' between adjacent values
- Tungsten emulation - CCT variation emulates behavior of Halo-lamps

CONTROL

- LCD graphic display with 4 soft keys ("auto-flip" and "key-lock" functions available)
- RDM / DMX 512 protocol
- Art-Net 4, sACN protocols and Wireless DMX available on request
- 'Standard', 'Silent' operation modes. Automatic option (noisiness automatic control up to the threshold of the operation modes)
 - Standard operation mode 41 dBA@1mt(100% lumen output power)
 - Silent operation mode 35 dBA@1mt (77% lumen out power)
- Firmware: Internal operating system updatable via DTS dongle firmware uploader
- "Li-Fe" backup battery allows the use of the unit's on-board display when it is not powered, besides ensuring a safe return and blockage of the top hat during shut down

DMX

- 5 DMX modes:
 - 1. CCT (Default)
 - 2. Advanced (Raw)
 - 3. Basic
 - 4. Expo
 - 5. CMY Emulation

PAN & TILT

- Pan 540° : 1.8 s
- Tilt 215° : 1.1 s
- 16-bit resolution

POWER SUPPLY

- Electronic Wide-range 100/240 Vac 50-60 Hz
- Power consumption: 400 W max
- Power Factor: PF >0.94

CONNECTIONS

- Power supply: PowerCON TRUE1 In/Out panel connectors
- DMX: XLR 3-pole and 5-pole In/Out panel connectors

CIRCUITS PROTECTIONS

- Overvoltage and overtemperature circuits protection

TEMPERATURE

- Operating: -10° / 45°C
- Storage: -20° / 60°C

PHYSICAL

- Weight: 14,5 Kg (32 lbs)
- Finishing: Black
- IP20

ACCESSORIES

ACCESSORIES INCLUDED

- 1x powerCON TRUE1 female cable connector (code 0520P066)
- 1 x Omega bracket with "Fast Lock" (code 02K00467)

ACCESSORIES ON REQUEST

- Aliscaf clamp for tube diameter 48-51 mm - max. load. 200 Kg (code 0521A033)
- G-QUICK clamp Professional - max. load 100 Kg (code 0521A037)
- Outdoor DMX cable 2 x 0,25 mm2 - Flame retardant (code 0509C158)
- Safety cable 3 x 600 mm - Max load 30 Kg (code 0521A010)
- DTS firmware uploader dongle (code 03.LA.206)

PHOTOMETRIC DATA

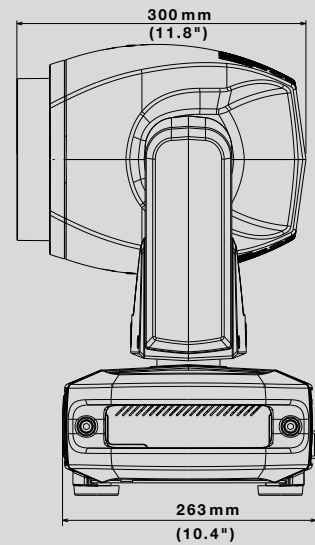
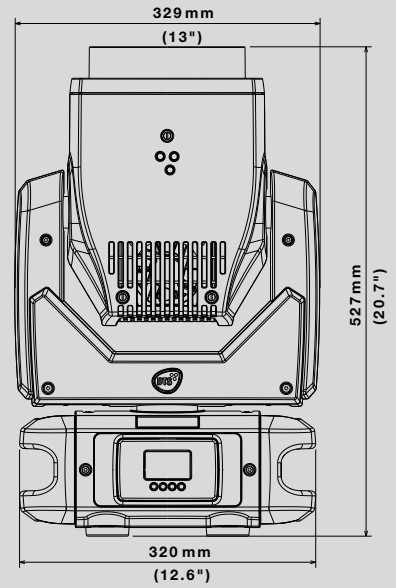
			mt 5 ft 16.40	mt 10 ft 32.81	mt 15 ft 49.21	mt 20 ft 65.62	mt 25 ft 82.02
BEAM ANGLE 10° @50%	3200°K	lux center (lx)	6200	1550	689	388	248
		Foot candles (ft)	576	144	64	36	23
	4000°K	lux center (lx)	8000	2000	889	500	320
		Foot candles (ft)	743	186	83	46	30
	5000°K	lux center (lx)	9500	2375	1056	594	380
		Foot candles (ft)	883	221	98	55	35
	5600°K	lux center (lx)	9000	2250	1000	563	360
		Foot candles (ft)	836	209	93	52	33
	Diameter (cm)		87	175	262	350	437
	Diameter (ft)		2.87	5.74	8.61	11.48	14.35

			mt 3 ft 9.84	mt 6 ft 19.68	mt 9 ft 29.53	mt 12 ft 39.37	mt 15 ft 49.21
BEAM ANGLE 36° @10%	3200°K	lux center (lx)	5100	1275	567	319	204
		Foot candles (ft)	474	118	53	30	19
	4000°K	lux center (lx)	6400	1600	711	400	256
		Foot candles (ft)	595	149	66	37	24
	5000°K	lux center (lx)	7500	1875	833	469	300
		Foot candles (ft)	697	174	77	44	28
	5600°K	lux center (lx)	7200	1800	800	450	288
		Foot candles (ft)	669	167	74	42	27
	Diameter (cm)		195	390	585	780	975
	Diameter (ft)		6.40	12.79	19.19	25.58	31.98

ALCHEMY 3



THE NEW-GENERATION FRESNEL
LED WASH LIGHT IN A COMPACT
SIZE



FEATURES



OPTIONALS



CERTIFICATIONS



CODE
03.MW010



TECHNICAL DATA

OUTPUT

- Multi-chip LED source
- Lumen output: 6,600
- CRI: up to 98
- TLCI: up to 96
- LED lifespan: 20,000 hours (70% lumen output)

OPTICAL GROUP

- 14.1° - 45.2° linear zoom
- Ø 175 mm Fresnel lens
- Indexable beam shaper (2:1 ratio) with endless continuous rotation
- Heavy frost filter insertable via DMX
- Retractable 'top hat'

COLOR & WHITE GENERATION

- 6-color LED engine
- Linear CCT (1,800 K - 10,000 K)
- Linear 'green saturation'
- 100 gel filters emulation:
 - Linear crossfade from gel filters emulation to CCT whites
 - Linear crossfade between emulated gel filters
 - True color of gel filters emulation at any CCT values
- "Raw" RGBACL color-mixing in 'Advanced' mode
- Deep blue and Deep red filters (DMX-selectable)

DIMMER

- Hi-Q Dimming technology
- Tungsten Emulation function

CONTROL

- LCD graphic display with 4 soft keys ("auto-flip" and "key-lock" functions available)
- RDM / DMX 512 protocols
- Art-Net 4, sACN protocols available on request
- Wireless DMX available on request
- 'Standard' and 'Silent' operation modes
- Firmware updatable via DTS firmware uploader dongle
- "Li-Fe" backup battery allows the use of the unit's on-board display when it is not powered, besides ensuring a safe return and blockage of the top hat during shut down

DMX

- 5 DMX modes:
 1. CCT (default)
 2. Advanced
 3. Basic
 4. Expo
 5. CMY Emulation

PAN & TILT

- Pan 540° : 1.8 s
- Tilt 215° : 1.1 s
- 16-bit resolution

POWER SUPPLY

- Electronic Wide-range 100/240 Vac 50-60 Hz
- Power consumption: 300 W max
- Power Factor: PF >0.94

CONNECTIONS

- DMX: XLR 3-pole and 5-pole In/Out panel connectors
- Power supply: PowerCON TRUE1 In/Out panel connectors

CIRCUITS PROTECTIONS

- Overvoltage and overtemperature circuits protection

OPERATING TEMPERATURE

-10° / 40° C

PHYSICAL

- IP20
- Weight: 15.5 Kg (34 lbs)
- Finishing: Black

ACCESSORIES INCLUDED

- 1 x PowerCON TRUE1 female cable connector (code 0520P066)
- 1 x Omega bracket with "Fast Lock" connection 1/4 turn (code 02K00467)

ACCESSORIES ON REQUEST

- Lumen Radio Wireless DMX TX-RX interface kit (code 03.LA.241)
- Aliscaf clamp for tube diameter 48-51 mm - max. load. 200 Kg (code 0521A033)
- G-QUICK clamp Professional - max. load 100 Kg (code 0521A037)
- Outdoor DMX cable 2 x 0,25 mm² - Flame retardant (code 0509C158)
- Safety cable 3 x 600 mm - Max load 30 Kg (code 0521A010)
- DTS firmware uploader dongle (code 03.LA.206)

PHOTOMETRIC DATA

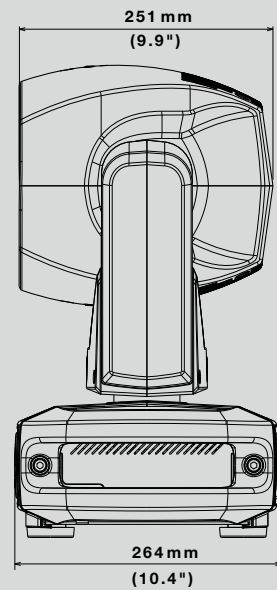
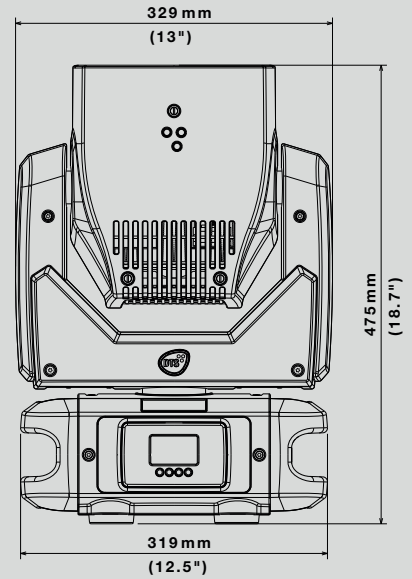
		mt 5 ft 16.40	mt 10 ft 32.81	mt 15 ft 49.21	mt 20 ft 65.62	mt 25 ft 82.02	
BEAM ANGLE 14.1° - @ 50%	3200 K	lux center (lx)	1937	484	215	121	77
		foot candles (fc)	180	45	20	11	7
	4000 K	lux center (lx)	2412	603	268	151	96
		foot candles (fc)	224	56	25	14	9
	5600 K	lux center (lx)	3420	855	380	214	137
		foot candles (fc)	318	79	35	20	13
		diameter (cm)	124	247	371	495	618
		diameter (ft)	4.06	8.11	12.17	16.23	20.29
		mt 3 ft 9.84	mt 6 ft 19.68	mt 9 ft 29.53	mt 12 ft 39.37	mt 15 ft 49.21	
BEAM ANGLE 45.2° - @ 10%	3200 K	lux center (lx)	1679	420	187	105	67
		foot candles (fc)	156	39	17	10	6
	4000 K	lux center (lx)	2146	537	238	134	86
		foot candles (fc)	199	50	22	12	8
	5600 K	lux center (lx)	2950	738	328	184	118
		foot candles (fc)	274	69	30	17	11
		diameter (cm)	250	500	749	999	1249
		diameter (ft)	8.19	16.39	24.58	32.78	40.97

WASH MOVING HEADS

EUPHONY 3



THE COMPACT LED WASH LIGHT
FEATURING A WIDE ZOOM AND
HIGH-EFFICIENCY OPTICAL SYSTEM



FEATURES



OPTIONALS



CERTIFICATIONS



CODE
03.LDR020.F



TECHNICAL DATA

OUTPUT

- 7 x 60 W Full Color (RGBW) Leds
- 7,500 Lumen output
- LED lifespan: 50,000 hours (70% lumen output)

OPTICAL GROUP

- 5.6° - 69° linear motorized zoom with high-efficiency optical system
- Soft frost filter included
- Uniform projection on surfaces, from very wide Wash to PC Beam

COLOR GENERATION

- 16 million colors
- Wide palette of pure uniform whites
- Variable linear color temperature (2700K – 8000K)
- 16 gel filter emulations by 'Standard' DMX mode

DIMMER

- Hi-Q Dimming technology

CONTROL

- LCD graphic display + 4 soft-keys; Auto-flip; Key-Lock function
- RDM / DMX 512 protocols
- Wireless DMX available on request
- 'Standard' and 'Silent' operation modes
- Firmware updatable via DTS firmware uploader dongle
- Li-Fe backup battery for controlling the display settings even when the unit is not powered

DMX

- 2 DMX modes:
 - 1. Standard - 18 channels (default)
 - 2. Compatibility - 20 channels

PAN & TILT

- Pan 540° : 1.8 s
- Tilt 215° : 1 s
- 16-bit resolution

POWER SUPPLY

- Electronic Wide-range 100-240 Vac 50-60 Hz
- Power consumption: 420 W max
- Power Factor: PF >0.94

CONNECTIONS

- DMX: XLR 3-pole and 5-pole In/Out panel connectors
- Power supply: PowerCON TRUE1 In/Out panel connectors

CIRCUITS PROTECTIONS

- Overvoltage and overtemperature circuits protection

OPERATING TEMPERATURE

-10° / 40° C

PHYSICAL

- IP20
- Weight: 14 Kg (30.9 lbs)
- Finishing: Black

ACCESSORIES INCLUDED

- 1 x PowerCON TRUE1 female cable connector (code 00520P066)
- 1 x Omega bracket with "Fast Lock" connection 1/4 turn (code 02K00467)
- 1 x Soft frost filter (code 02SK0472)

ACCESSORIES ON REQUEST

- Aliscaf clamp for tube diameter 48-51 mm - max. load. 200 Kg (code 0521A033)
- G-QUICK clamp Professional - max. load 100 Kg (code 0521A037)
- Outdoor DMX cable 2 x 0,25 mm² - Flame retardant (code 0509C158)
- Safety cable 3 x 600 mm - Max load 30 Kg (code 0521A010)
- DTS firmware uploader dongle (code 03.LA.206)

PHOTOMETRIC DATA

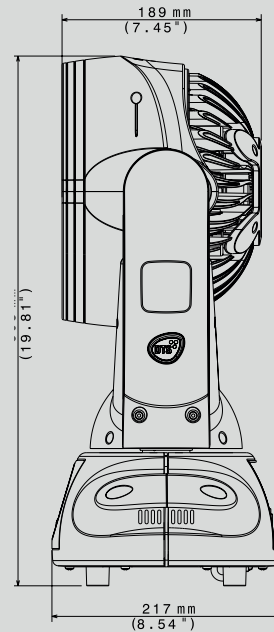
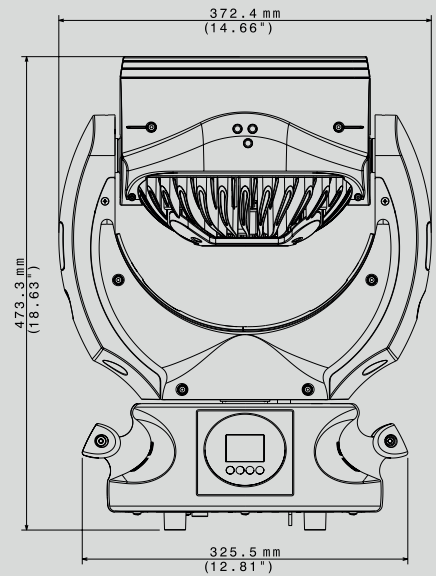
		mt 5 ft 16.40	mt 10 ft 32.81	mt 15 ft 49.21	mt 20 ft 65.62	mt 25 ft 82.02	
BEAM ANGLE 5.6° - @ 50%	RED	lux center (lx)	3442	861	382	215	138
		foot candles (fc)	320	80	36	20	13
	GREEN	lux center (lx)	6170	1543	686	386	247
		foot candles (fc)	573	143	64	36	23
	BLUE	lux center (lx)	1424	356	158	89	57
		foot candles (fc)	132	33	15	8	5
	WHITE	lux center (lx)	9501	2375	1056	594	380
		foot candles (fc)	883	221	98	55	35
	FULL RGBW	lux center (lx)	16600	4150	1844	1038	664
		foot candles (fc)	1543	386	171	96	62
diameter (cm)		49	98	147	196	245	
diameter (ft)		1.60	3.21	4.81	6.42	8.02	
		mt 3 ft 9.84	mt 6 ft 19.68	mt 9 ft 29.53	mt 12 ft 39.37	mt 15 ft 49.21	
BEAM ANGLE 69° - @ 10%	RED	lux center (lx)	229	57	25	14	9
		foot candles (fc)	21	5	2	1	1
	GREEN	lux center (lx)	456	114	51	29	18
		foot candles (fc)	42	11	5	3	2
	BLUE	lux center (lx)	101	25	11	6	4
		foot candles (fc)	9	2	1	1	1
	WHITE	lux center (lx)	694	174	77	43	28
		foot candles (fc)	64	16	7	4	3
	FULL RGBW	lux center (lx)	1213	303	135	76	49
		foot candles (fc)	113	28	13	7	5
diameter (cm)		412	825	1237	1649	2062	
diameter (ft)		13.53	27.06	40.59	54.12	67.64	

WASH MOVING HEADS

NICK NRG 1401



THE CREATIVE BEAM/WASH LIGHT
WITH SINGLE PIXEL CONTROL



FEATURES



OPTIONALS

CERTIFICATIONS



CODE

03.LDR015.FFP



TECHNICAL DATA

OUTPUT

- 23 x 20 W Full Color (RGBW) LEDs
- Lumen source: 11,500
- Pixel to pixel control
- LED lifespan: 50,000 hours (70% lumen output)

OPTICAL GROUP

- 4° - 52° linear motorized zoom with efficiency optical system
- 27,000 Lux @ 5 m
- Uniform projection on surfaces, from very wide Wash to PC Beam

COLOR GENERATION

- 16 million colors
- Wide palette of pure uniform whites
- Variable linear color temperature (2700 K – 8000 K)

CONTROL

- Multi-function OLED graphic color display + 4 soft-keys (control / management / monitoring of the main parameters)
- RDM / DMX 512 protocols
- Firmware updatable via DTS firmware uploader dongle

DMX

- 4 DMX modes:
 - 33 DMX channels (default)
 - 111 DMX channels
 - 31 DMX channels
 - 20 DMX channels

PAN & TILT

- 'FPR' system (DTS patent)
- Pan: limitless rotation, in both directions
- Tilt 258°: 1.1 s
- 16-bit resolution

POWER SUPPLY

- Electronic Wide-range 100-240 Vac 50-60 Hz
- Power consumption: 390 W max
- Power Factor: PF >0.95

CONNECTIONS

- DMX: XLR 3-pole and 5-pole In/Out panel connectors
- Power supply: PowerCON In/Out panel connectors

CIRCUITS PROTECTIONS

- Overvoltage and overtemperature circuits protection

OPERATING TEMPERATURE

-10° / 40° C

PHYSICAL

- IP20
- Weight: 13 Kg (28.7 lbs)
- Finishing: Black

ACCESSORIES INCLUDED

- 1 x PowerCON female cable connector (code 0520P014)
- 1 x XLR 5 Pins female cable connector (code 0508B147)
- 1 x XLR 5 Pins male cable connector (code 0508B148)
- 1 x Omega bracket with "Fast Lock" connection 1/4 turn (code 02K00467)

ACCESSORIES ON REQUEST

- Flightcase for 4 units (code 0521C059.1)
- Aliscraf clamp for tube diameter 48-51 mm - max. load. 200 Kg (code 0521A033)
- G-QUICK clamp Professional - max. load 100 Kg (code 0521A037)
- Omega bracket with "Fast Lock" connection 1/4 turn (code 02K00467)
- Outdoor DMX cable 2 x 0,25 mm² - Flame retardant (code 0509C158)
- Safety cable - 3 x 600 mm - max. capacity load 30 Kg (code 0521A010)
- DTS firmware uploader dongle (code 03.LA.206)

PHOTOMETRIC DATA

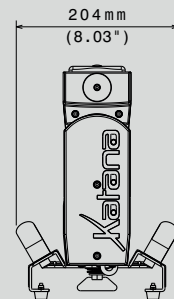
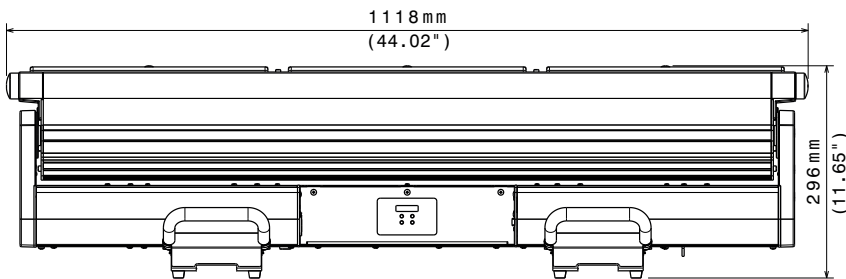
	mt 5 ft 16.40	mt 10 ft 32.81	mt 15 ft 49.21	mt 20 ft 65.62	mt 25 ft 82.02	
BEAM ANGLE 4°	lux center (lx)	15632	3908	1737	977	625
	foot candles (fc)	1453	363	161	91	58
	diameter (cm)	35	70	105	140	175
	diameter (ft)	1.15	2.29	3.44	4.58	5.73
BEAM ANGLE 52°	mt 5 ft 16.40	mt 10 ft 32.81	mt 15 ft 49.21	mt 20 ft 65.62	mt 25 ft 82.02	
	lux center (lx)	640	160	70	40	26
	foot candles (fc)	59	15	7	4	2
	diameter (cm)	488	975	1463	1951	2439
diameter (ft)	16.00	32.00	48.00	64.01	80.01	

WASH MOVING HEADS

KATANA



THE BLADE OF LIGHT FEATURING
WIDE LINEAR ZOOM, SINGLE PIXEL
CONTROL AND SUPER FAST TILT



FEATURES



OPTIONALS

CERTIFICATIONS



CODE

03.LDR016.F



TECHNICAL DATA

OUTPUT

- 12 x 20 W Full Color (RGBW) LEDs:
 - Pixel to pixel control
 - Lumens: 9,600

OPTICAL GROUP

- Linear motorized zoom 3.5° ('blade' mode) - 30°

COLOR GENERATION

- 16 million colors
- Wide palette of pure uniform whites with variable linear color temperature (2700K - 8000K)

TILT

- Motorized Tilt 184°: 1 sec.
- 16-bit movement resolution

CONTROL

- Multi-function 4-digit 7-segment LED display + 4 soft keys
- Controlled via DMX 512 and RDM standard digital communication protocols
- Firmware updatable via DTS firmware uploader dongle

DMX

- 24 DMX channels (default)
- 64 DMX channels
- 16 DMX channels

POWER SUPPLY

- Electronic Wide-range 100-240Vac 50/60 Hz;
- Power consumption: 300 W max
- Power Factor: PF >0.95

CONNECTIONS

- Power supply: PowerCON TRUE1 In/Out panel connectors
- DMX: XLR 5-pole In/Out panel connectors

CIRCUITS PROTECTIONS

- Overvoltage and overtemperature circuits protection

OPERATING TEMPERATURE

-10° / 40° C

PHYSICAL

- IP20
- Weight: 19.5 Kg (43 lbs)
- Finishing: Black

ACCESSORIES INCLUDED

- 1 x PowerCON TRUE1 female cable connector (code 0520P066)
- 1 x PowerCON TRUE1 male cable connector (code 0520P067)
- 1 x XLR 5 pins female cable connector (code 0508B147)
- 1 x XLR 5 pins male cable connector (code 0508B148)
- 2 x Omega bracket with "Fast Lock" connection 1/4 turn (code 02K00467)
- 2 x Bracket for ground installation with handles and rubber feet - already mounted on the unit (code 02SK0296)

ACCESSORIES ON REQUEST

- Flightcase for 3 units (code 0521C066)
- Aliscraf clamp for tube diameter 48-51 mm - max. load 200 Kg (code 0521A033)
- G-QUICK clamp Professional - max. load 100 Kg (code 0521A037)
- Outdoor DMX cable 2 x 0,25 mm² - Flame retardant (code 0509C158)
- Safety cable - 3 x 600 mm - max. capacity load 30 Kg (code 0521A010)
- DTS firmware uploader dongle (code 03.LA.206)

PHOTOMETRIC DATA

		MINIMUM ZOOM	mt 5 ft 16.40	mt 10 ft 32.81	mt 15 ft 49.21	mt 20 ft 65.62	mt 25 ft 82.03
BEAM ANGLE 3°	FULL RGBW	lux center (lx)	6800	1700	756	425	272
		foot candles (fc)	632	158	70	39	25
	X-axis	diameter (cm)	25	51	76	101	127
		diameter (ft)	0,83	1,66	2,49	3,32	4,25
Y-axis	diameter (cm)	31	61	92	122	153	
	diameter (ft)	1.00	2.00	3.01	4.01	5.01	
		MAXIMUM ZOOM	mt 5 ft 16.40	mt 10 ft 32.81	mt 15 ft 49.21	mt 20 ft 65.62	mt 25 ft 82.03
BEAM ANGLE 25°	FULL RGBW	lux center (lx)	1650	413	183	103	66
		foot candles (fc)	153	38	17	10	6
	X-axis	diameter (cm)	222	443	665	887	1108
		diameter (ft)	7,27	14,55	21,82	29,09	36,37
Y-axis	diameter (cm)	268	536	804	1072	1340	
	diameter (ft)	8.79	17.58	26.37	35.16	43.95	
BEAM ANGLE 30°	FULL RGBW	lux center (lx)	1360	340	152	85	55
		foot candles (fc)	125	31	14	8	5
	X-axis	diameter (cm)	165	330	495	660	825
		diameter (ft)	5,41	10,82	16,23	21,64	27,05
Y-axis	diameter (cm)	206	412	618	824	1030	
	diameter (ft)	6,76	13,52	20,28	27,04	33,80	

LED BARS

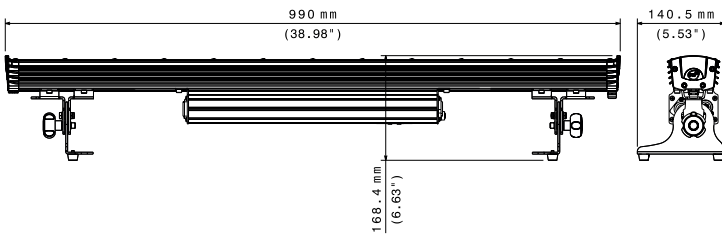
FOS 100 DYNAMIC SOLO FC



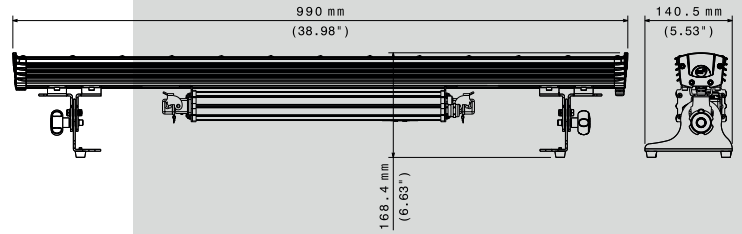
LED BAR WITH SINGLE PIXEL CONTROL TO CREATE ENDLESS VARIETY OF DYNAMIC EFFECTS



IP20



IP65



FEATURES



OPTIONALS

CERTIFICATIONS



CODES

IP20-RATED - WHILE SUPPLIES LAST

SP LENSES 10° - 03.DYN008S.F10
 MF LENSES 25° - 03.DYN008S.F25
 WF LENSES 40° - 03.DYN008S.F40

IP65-RATED- WHILE SUPPLIES LAST

SP LENSES 10° - 03.DYN007S.F10
 MF LENSES 25° - 03.DYN007S.F25
 WF LENSES 40° - 03.DYN007S.F40



TECHNICAL DATA

OUTPUT

- 15 Full Color (RGBW) LEDs:
- Pixel to pixel control
- 4,608 Lumen @ 500mA
- LED lifespan: 50,000 hours (70% lumen output)

OPTICAL GROUP

- 3 lenses sets available: 10° / 25° / 40°
- Holographic filters available on request
- Uniform projection on surfaces

COLOR GENERATION

- 16 million colors
- Wide palette of pure uniform whites
- Variable linear color temperature (2700 K – 8000 K)

CONTROL

- Multi-function 4-digit 7-segment LED display + 4 soft keys
- RDM / DMX 512 protocols
- Firmware updatable via DTS firmware uploader dongle

DMX

- 10 DMX channels (default)

POWER SUPPLY

- Integrated Wide-range PSU 100-240Vac 50-60 Hz;
- Power consumption: 150 W max
- Power Factor: PF >0.95

CONNECTIONS

- IP20-rated PSU
 - PowerCON In/Out panel connectors
 - XLR 5 pins In/Out panel connectors
- IP65-rated PSU
 - Power IN cable; Power OUT Harting panel connector
 - DMX In/Out Harting panel connectors

OPERATING TEMPERATURE

-10° / 40° C

PHYSICAL

- IP20 or IP65
- Housing: Aluminium
- Weight
 - IP20 rated: 7.1 Kg (15.7 lbs)
 - IP65 rated: 7.5 Kg (16.5 lbs)
- Finishing: Black

ACCESSORIES INCLUDED

- 1 x Fit joint for joining bars inline (code 02M09519.46)
- 2 x M4 knob for fit joint (code 0511P014)
- ONLY FOR IP20-RATED**
- 1 x PowerCON IN female cable connector (code 0520P014)
- 1 x PowerCON OUT female cable connector (code 0520P029)
- 1 x XLR 5 Pins female cable connector (code 0508B027)
- 1 x XLR 5 Pins male cable connector (code 0508B028)
- ONLY FOR IP65-RATED**
- 1 x HARTING 5 pins male connector (code 02LD0093.1)
- 2 x HARTING 4 pins male connector (code 02LD0032)

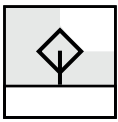
ACCESSORIES ON REQUEST

- Lenses set Narrow 10° (code 03.LK.060.N)
- Lenses set Medium 25° (code 03.LK.061.N)
- Lenses set Wide 40° (code 03.LK.062.N)
- Barndoor and Holographic Filter holder (code 03.LA.142)
- Holographic Filter (complete list in the accessories section)
- Kit Fit joint for joining bars inline - includes 1 x 02M09519.46 and 2 x 0511P014 (code 03.LA.021)
- Line joining truss kit (code 02SK0382)
- Fast-lock bracket kit (code 03.LA.024)
- Short bracket for wall installation (code 03.LA.025)
- Single-side light shield (code 02M09594.46)
- Omega bracket with "Fast Lock" connection 1/4 turn (code 02K00467)
- G-QUICK clamp Professional - max. capacity load 100 Kg (code 0521A037)
- Universal Hook Clamp - Max load 40 Kg - 88 lbs (code 0521A047)
- Safety cable - 3 x 600 mm - max. capacity load 30 Kg (code 0521A010)
- Outdoor DMX cable 2 x 0,25 mm² - Flame retardant (code 0509C158)
- Flightcase for 4 units (code 0521C069)
- DTS firmware uploader dongle (code 03.LA.206)
- ONLY FOR IP65-RATED**
- Permanent Installation kit IP68 2 POWER + 2 DMX (code 03.LA.216)

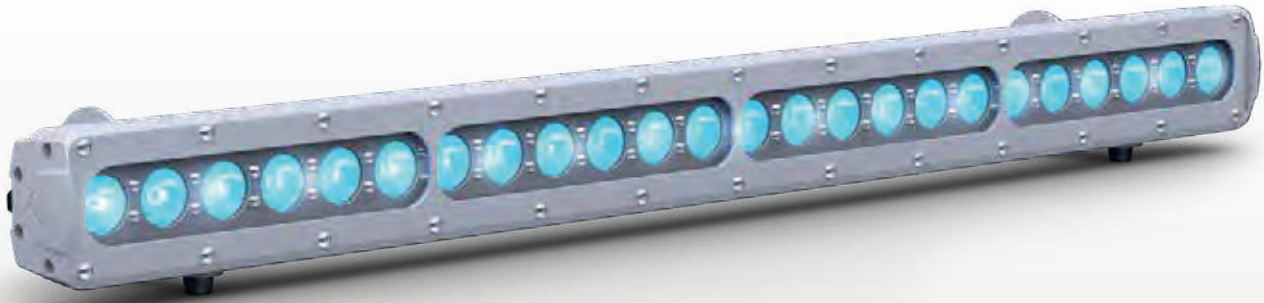
PHOTOMETRIC DATA

	mt 3 ft 9.84	mt 6 ft 19.68	mt 9 ft 29.53	mt 12 ft 39.37	mt 15 ft 49.21	
BEAM ANGLE 10°	lux center (lx)	3687	922	410	230	147
	foot candles (fc)	343	86	38	21	14
	diameter (cm)	52	105	157	210	262
	diameter (ft)	1.72	3.44	5.17	6.89	8.61
BEAM ANGLE 25°	lux center (lx)	1402	351	156	88	56
	foot candles (fc)	130	33	14	8	5
	diameter (cm)	133	266	399	532	665
	diameter (ft)	4.36	8.73	13.09	17.46	21.82
BEAM ANGLE 40°	lux center (lx)	950	238	106	59	38
	foot candles (fc)	88	22	10	6	4
	diameter (cm)	218	437	655	874	1092
	diameter (ft)	7.16	14.33	21.49	28.66	35.82

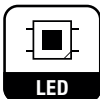
LED BARS



FOS 100 POWER



FEATURES



CERTIFICATIONS



TREATMENTS

FINITURE

<input type="checkbox"/>	SILVER - RAL 9006	21
<input type="checkbox"/>	BLACK	11

LED

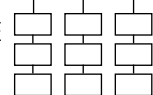
<input type="checkbox"/>	FULL COLOR (RGBW)	FC

LENS

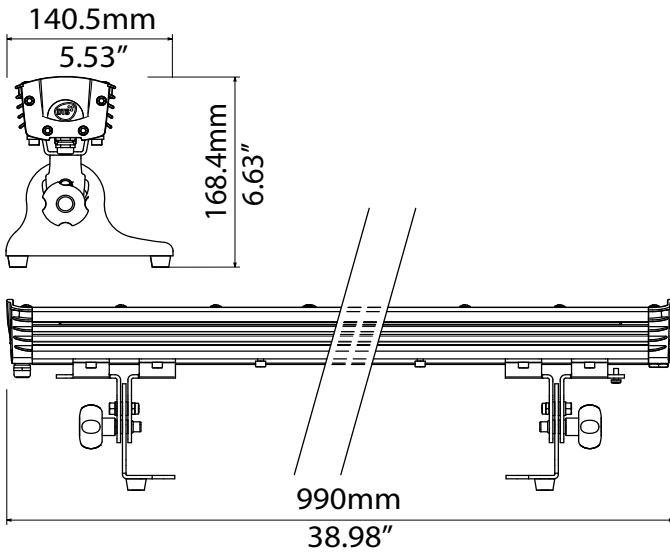
<input type="checkbox"/>	MF - 25°	25
<input type="checkbox"/>	WF - 40°	40

FOS 100 POWER FC

03.LBB011E



TECHNICAL



OUTPUT	• 24 x 4-colors LEDs
	• Lumens output (RGBW): 8,650 @ 700 mA
	• LED lifespan: 50,000 hours (70% lumen output)
OPTICAL GROUP	• Medium flood 25°
	• Wide flow flood 40°
POWER SUPPLY	• External CC PSU LED driver
	• Max distance between Drivenet PSU and fixture 100 m
	• Consumption: max 140 W @ 700mA • Consumption: max 200 W @ 1A
CONNECTIONS	• 80 cm cable with M16 male connector
PHYSICAL	• Housing: Aluminium
	• Weight: 5.2 Kg (11.5 lbs)
ACCESSORIES INCLUDED	• 2 x Short bracket for wall installation (code 03.LA.025) • 1 x M16 female cable connector IP67 (code 0508B106) • 1 x fit joint for joining bars inline silver finishing (code 02M09519.44) • 2 x M4 knob for fit joint (code 0511P014)

ACCESSORIES ON REQUEST



03.LA.142 • Barndoor and Holographic filter holder
02M09594.46 • Single side light shield



03.LA.023 • Kit fit joint for joining bars inline



03.LA.024 • Fast-lock bracket kit



0521A010 • Safety cable - 0.3x60 cm - max. capacity load 60 Kg



Outdoor extension cable with M16 F 9 pins + end stripped cable.

02K001257.10 • length 10 mt - 33 ft

02K001257.20 • length 20 mt - 66 ft

02K001257.30 • length 30 mt - 98 ft

02K001257.40 • length 40 mt - 132 ft

02K001257.50 • length 50 mt - 164 ft

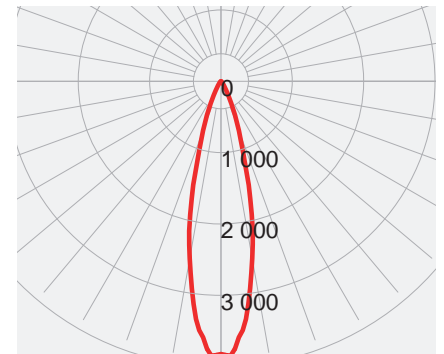
CONNECTIONS @ 1A

DRIVENET 416 POWER	DRIVENET 832 POWER
Max 4 (1 item per output)	Max 8 (1 item per output)

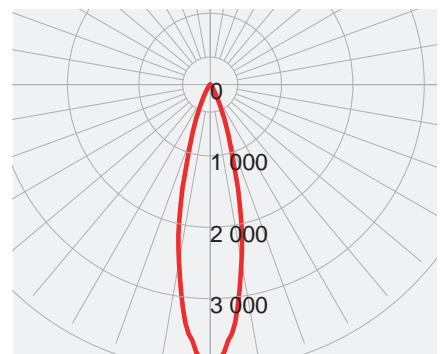
Drivenet Power must be set @ 1A to power the fixtures

PHOTOMETRIC DATA FOS 100 POWER - FULL COLOR (RGBW) - @ 700m.

MEDIUM 25° lenses		mt 3 ft 9.84	mt 6 ft 19.68	mt 9 ft 29.53	mt 12 ft 39.37	mt 15 ft 49.21		
	FULL RGBW	lux center (lx)	2667	667	296	167	107	lux center (lx)
		foot candles (fc)	248	62	28	15	10	foot candles (fc)
BEAM ANGLE	diameter (cm)	133	266	399	532	665	diameter (cm)	
	diameter (ft)	4.36	8.73	13.09	17.46	21.82	diameter (ft)	



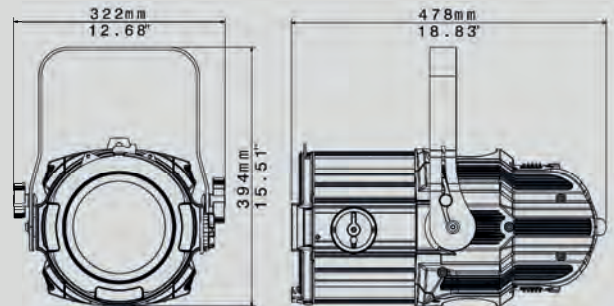
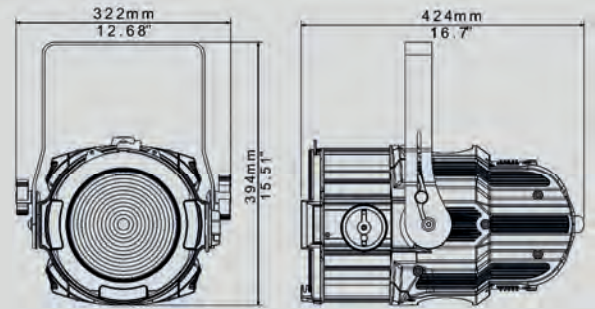
WIDE 40° lenses		mt 3 ft 9.84	mt 6 ft 19.68	mt 9 ft 29.53	mt 12 ft 39.37	mt 15 ft 49.21		
	FULL RGBW	lux center (lx)	1806	451	201	113	72	lux center (lx)
		foot candles (fc)	168	42	19	10	7	foot candles (fc)
BEAM ANGLE	diameter (cm)	218	437	655	876	1092	diameter (cm)	
	diameter (ft)	7.16	14.33	21.49	28.66	35.82	diameter (ft)	



TENORE 5 HQS



THE COLOR MANAGEMENT SYSTEM BY DTS IN A POWERFUL CONVENTIONAL FRESNEL OR ANTIHALO FIXTURE



FEATURES



OPTIONALS

CERTIFICATIONS



CODES

FRESNEL LENS - 03.TTN100.49.F

ANTIHALOLENS-03.TTN100.49.A



TECHNICAL DATA

OUTPUT

- Multi chip LED Source
- Lumens output: 9,300 lm (Fresnel lens)
- Lumens output: 6,300 lm (PC lens)
- CRI: up to 98
- TLCI: up to 96
- LED Lifespan: 20,000 hours (70% lumen output)

OPTICAL GROUP

- Ø 175 mm Fresnel lens or Antihalo (PC) lens
- Ø 150 mm Antihalo (PC) lens
- Linear zoom
 - 12° - 62° with Fresnel lens
 - 6.5° - 45° with PC lens

COLOR & WHITE GENERATION

- 6-color LED engine
- Linear CCT (1800 K - 10000 K)
- Linear 'Green saturation'
- 100 gel filters emulation:
 - Linear crossfade from gel filters emulation to CCT whites
 - Linear crossfade between emulated gel filters
 - True color of gel filters emulation at any CCT values
- "Raw" RGBACL color-mixing in 'Advanced' mode

DIMMER

- Hi-Q Dimming technology
- Tungsten Emulation function

CONTROL

- LCD graphic display + Jog Shuttle
- RDM/DMX 512 protocols
- 'Standard', 'Silent', 'Ultra Silent' and 'Automatic' fan modes
- Noise level
 - Standard: 34dBA @ 1m (normal operation, 100% power)
 - Silent: 29dBA @ 1m (normal operation, 87% power)
 - Ultra Silent: 26dBA @ 1m (normal operation, 70% power)
 - Automatic: fans adapt to operational status (output power priority)
- Firmware updatable via DTS firmware uploader dongle

DMX

- CCT (Default)
 - Correlated Color Temperature
- Advanced
 - Correlated Color Temperature + Raw control for color channels RGBACL
- Basic
 - Correlated Color Temperature with priority on Gel Library and RGBACL color
- Expo
 - Dimmer 8 bit; Correlated Color Temperature priority on Gel Library
- CMY Emulation
 - Cyan, Magenta, Yellow and CTO emulation Mode

POWER SUPPLY

- Wide range 100/240 Vac 50-60 Hz
- Power consumption: 390 W max / 230Vac
- Power Factor: PF >0.94

CONNECTIONS

- DMX: XLR 5 pole In/Out panel connectors
- Power supply: PowerCON TRUE1 In/Out panel connectors

CIRCUITS PROTECTIONS

- Overvoltage and overtemperature circuits protection

OPERATING TEMPERATURE

-10° / 45° C

STORAGE TEMPERATURE

-20° / 60° C

PHYSICAL

- IP20
- Weight:
 - FR - 9.3 Kg (20.5 lbs)
 - PC - 10.4 Kg (22.9 lbs)
- Finishing: Black

ACCESSORIES INCLUDED

- 1 x PowerCON TRUE1 female cable connector (code 0520P066)
- 1 x XLR 5 pins female cable connector (code 0508B147)
- 1 x XLR 5 pins male cable connector (code 0508B148)
- 1 x FilterframeBlack finishing - already installed on the projector (code 02M093399.49)

ACCESSORIES ON REQUEST

- Barndoor 4 leaf Black finishing (code 03.TBD07.49)
- Barndoor 8 leaf Black finishing (code 03.TBD09.49)
- Tophat (code 03.TA235)
- Outdoor DMX cable 2 x 0,25 mm2 - Flame retardant (code 0509C158)
- Aliscaf clamp for Ø 48-51 mm tube-max load 100 Kg 8code 0521A033)
- Professional G-QUICK clamp - max load 100 Kg (code 0521A037)
- Safety cable 3 x 600 mm - BGV-C1 certified (code 0521A049)
 - Single stranded: Max 20 Kg (44 lbs)
 - Double stranded: Max 30 Kg (66 lbs)
- Safety cable for Barndoor / Filterframe - Ø 0,8mm (code 0521A048)
- DTS firmware uploader dongle (code 03.LA.206)

PHOTOMETRIC DATA FRESNEL LENS

BEAM ANGLE 12° - @ 50%

BEAM ANGLE 62° - @ 10%

	mt 2 ft 6.56	mt 4 ft 13.12	mt 6 ft 19.68	mt 8 ft 26.25	mt 10 ft 32.81		mt 2 ft 6.56	mt 4 ft 13.12	mt 6 ft 19.68	mt 8 ft 26.25	mt 10 ft 32.81
3000 K	25156	6289	2795	1572	1006	lux center (lx)	3353	838	373	210	134
	2338	584	260	146	94	foot candles (fc)	312	78	35	19	12
4000 K	31892	7973	3544	1993	1276	lux center (lx)	4250	1063	472	266	170
	2964	741	329	185	119	foot candles (fc)	395	99	44	25	16
5600 K	40072	10018	4452	2504	1603	lux center (lx)	5313	1328	590	332	213
	3724	931	414	233	149	foot candles (fc)	494	123	55	31	20
	42	84	126	168	210	diameter (cm)	240	481	721	961	1202
	1.38	2.76	4.14	5.52	6.9	diameter (ft)	7.89	15.77	23.66	31.54	39.43

PHOTOMETRIC DATA PC LENS

BEAM ANGLE 6.5° - @ 50%

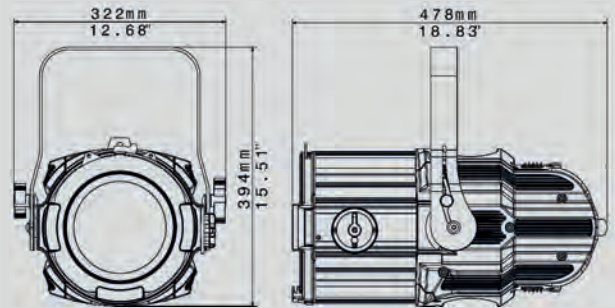
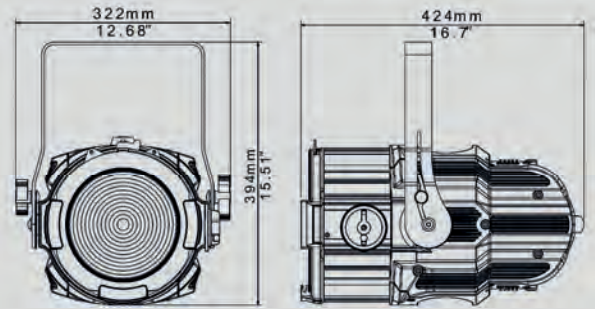
BEAM ANGLE 45° - @ 10%

	mt 2 ft 6.56	mt 4 ft 13.12	mt 6 ft 19.68	mt 8 ft 26.25	mt 10 ft 32.81		mt 2 ft 6.56	mt 4 ft 13.12	mt 6 ft 19.68	mt 8 ft 26.25	mt 10 ft 32.81
3000 K	34650	8663	3850	2166	1386	lux center (lx)	4730	1190	530	295	189
	3220	805	358	201	129	foot candles (fc)	439	110	49	27	18
4000 K	45680	11419	5075	2855	1827	lux center (lx)	6300	1580	700	394	252
	4245	1061	472	265	170	foot candles (fc)	586	146	65	37	23
5600 K	57850	14456	6425	3614	2313	lux center (lx)	7900	2000	880	495	315
	5374	1344	597	336	215	foot candles (fc)	732	183	81	45	29
	23	45	68	91	114	diameter (cm)	166	331	497	663	828
	0.375	1.49	2.24	2.98	3.73	diameter (ft)	5.44	10.87	16.31	21.74	27.18

TENORE 5 HDW



THE WHITE MANAGEMENT SYSTEM BY DTS IN A POWERFUL CONVENTIONAL FRESNEL OR ANTIHALO FIXTURE



FEATURES



OPTIONALS

CERTIFICATIONS



CODES

FRESNEL LENS - 03.TTN101.49.F

ANTIHALOLENS-03.TTN101.49.A



TECHNICAL DATA

OUTPUT

- Multi chip LED Source
- Lumens output: 9,300 lm (Fresnel lens)
- Lumens output: 6,300 lm (PC lens)
- CRI: up to 98
- TLCI: up to 96
- LED Lifespan: 20,000 hours (70% lumen output)

OPTICAL GROUP

- Ø 175 mm Fresnel lens or Antihalo (PC) lens
- Ø 150 mm Antihalo (PC) lens
- Linear zoom
 - 12° - 62° with Fresnel lens
 - 6.5° - 45° with PC lens

COLOR & WHITE GENERATION

- 6-color LED engine
- Linear CCT (1800 K - 10000 K)
- Linear 'Green saturation'

DIMMER

- Hi-Q Dimming technology
- Tungsten Emulation function

CONTROL

- LCD graphic display + Jog Shuttle
- RDM/DMX 512 protocols
- 'Standard', 'Silent', 'Ultra Silent' and 'Automatic' fan modes
- Noise level
 - Fan Standard: 34dBA @ 1m (normal operation, 100% power)
 - Fan Silent: 29dBA @ 1m (normal operation, 87% power)
 - Fan Ultra Silent: 26dBA @ 1m (normal operation, 70% power)
 - Automatic: fans adapt to operational status (output power priority)
- Firmware updatable via DTS firmware uploader dongle

DMX

- CCT (Default)
 - Dimmer 16 bit with Correlated Color Temperature; Green saturation control
- Basic
 - Dimmer 8 bit with Correlated Color Temperature control

POWER SUPPLY

- Electronic Wide-range 100/240 Vac 50-60 Hz
- Power consumption: 390 W max / 230Vac
- Power Factor: PF >0.94

CONNECTIONS

- DMX: XLR 5 pole In/Out panel connectors
- Power supply: PowerCON TRUE1 In/Out panel connectors

CIRCUITS PROTECTIONS

- Overvoltage and overtemperature circuits protection

OPERATING TEMPERATURE

-10° / 45° C

STORAGE TEMPERATURE

-20° / 60° C

PHYSICAL

- IP20
- Weight:
 - FR - 9.3 Kg (20.5 lbs)
 - PC - 10.4 Kg (22.9 lbs)
- Finishing: Black

ACCESSORIES INCLUDED

- 1 x PowerCON TRUE1 female cable connector (code 0520P066)
- 1 x XLR 5 pins female cable connector (code 0508B147)
- 1 x XLR 5 pins male cable connector (code 0508B148)
- 1 x FilterframeBlack finishing - already installed on the projector (code 02M093399.49)

ACCESSORIES ON REQUEST

- Barndoor 4 leaf Black finishing (code 03.TBD07.49)
- Barndoor 8 leaf Black finishing (code 03.TBD09.49)
- Tophat (code 03.TA235)
- Outdoor DMX cable 2 x 0,25 mm2 - Flame retardant (code 0509C158)
- Aliscaf clamp for Ø 48-51 mm tube-max load 100 Kg 8code 0521A033)
- Professional G-QUICK clamp - max load 100 Kg (code 0521A037)
- Safety cable 3 x 600 mm - BGV-C1 certified (code 0521A049)
 - Single stranded: Max 20 Kg (44 lbs)
 - Double stranded: Max 30 Kg (66 lbs)
- Safety cable for Barndoor / Filterframe - Ø 0,8mm (code 0521A048)
- DTS firmware uploader dongle (code 03.LA.206)

PHOTOMETRIC DATA FRESNEL LENS

BEAM ANGLE 12° - @ 50%

BEAM ANGLE 62° - @ 10%

	mt 2 ft 6.56	mt 4 ft 13.12	mt 6 ft 19.68	mt 8 ft 26.25	mt 10 ft 32.81		mt 2 ft 6.56	mt 4 ft 13.12	mt 6 ft 19.68	mt 8 ft 26.25	mt 10 ft 32.81
3000 K	25156	6289	2795	1572	1006	lux center (lx)	3353	838	373	210	134
	2338	584	260	146	94	foot candles (fc)	312	78	35	19	12
4000 K	31892	7973	3544	1993	1276	lux center (lx)	4250	1063	472	266	170
	2964	741	329	185	119	foot candles (fc)	395	99	44	25	16
5600 K	40072	10018	4452	2504	1603	lux center (lx)	5313	1328	590	332	213
	3724	931	414	233	149	foot candles (fc)	494	123	55	31	20
	42	84	126	168	210	diameter (cm)	240	481	721	961	1202
	1.38	2.76	4.14	5.52	6.9	diameter (ft)	8.7.89	15.77	23.66	31.54	39.43

PHOTOMETRIC DATA PC LENS

BEAM ANGLE 6.5° - @ 50%

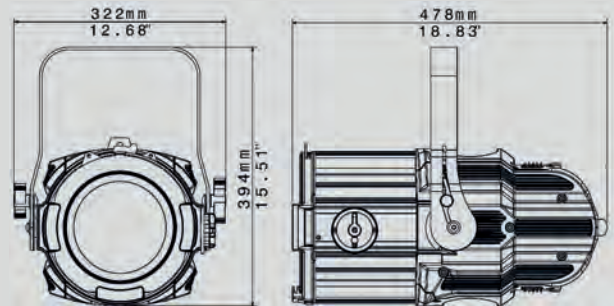
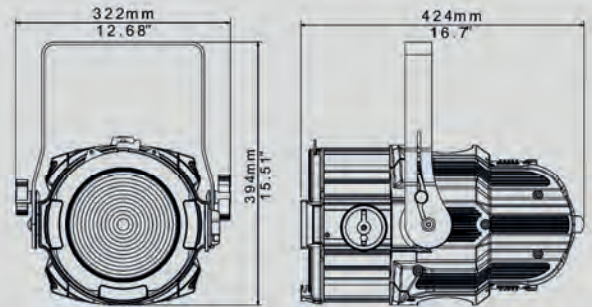
BEAM ANGLE 45° - @ 10%

	mt 2 ft 6.56	mt 4 ft 13.12	mt 6 ft 19.68	mt 8 ft 26.25	mt 10 ft 32.81		mt 2 ft 6.56	mt 4 ft 13.12	mt 6 ft 19.68	mt 8 ft 26.25	mt 10 ft 32.81
3000 K	34650	8663	3850	2166	1386	lux center (lx)	4730	1190	530	295	189
	3220	805	358	201	129	foot candles (fc)	439	110	49	27	18
4000 K	45680	11419	5075	2855	1827	lux center (lx)	6300	1580	700	394	252
	4245	1061	472	265	170	foot candles (fc)	586	146	65	37	23
5600 K	57850	14456	6425	3614	2313	lux center (lx)	7900	2000	880	495	315
	5374	1344	597	336	215	foot candles (fc)	732	183	81	45	29
	23	45	68	91	114	diameter (cm)	166	331	497	663	828
	0.375	1.49	2.24	2.98	3.73	diameter (ft)	5.44	10.87	16.31	21.74	27.18

TENORE 5 WH



THE UN-CONVENTIONAL FRESNEL OR ANTIHALO SPOT WITH WHITE POWERFUL SOURCE



FEATURES



OPTIONALS

CERTIFICATIONS



CODES

TENORE 3 - FRESNEL LENS

3000 K - 03.TTN102.49.F

4000 K - 03.TTN104.49.F

5700 K - 03.TTN103.49.F

TENORE 3- PC - ANTIHALO LENS

3000 K - 03.TTN102.49.A

4000 K - 03.TTN104.49.A

5700 K - 03.TTN103.49.A



TECHNICAL DATA

OUTPUT

- Single white 3000 K LED source
 - Lumens output: 11,200 lm (Fresnel lens)
 - Lumens output: 8,000 lm (PC lens)
 - CRI: >95
- Also available with 4000 K LED
 - Lumens output: 14,000 lm (Fresnel lens)
 - Lumens output: 8,800 lm (PC lens)
 - CRI: >95
- Single white 5700 K LED source
 - Lumens output: 16,000 lm (Fresnel lens)
 - Lumens output: 9,650 lm (PC lens)
 - CRI: >90
- LED Lifespan: 20,000 hours (70% lumen output)

OPTICAL GROUP

- Ø 175 mm Fresnel lens or Antihalo (PC) lens
- Ø 150 mm Antihalo (PC) lens
- Linear zoom
 - 13° - 69° with Fresnel lens
 - 8° - 46° with PC lens

DIMMER

- PWM Dimming technology

CONTROL

- LCD graphic display + Jog Shuttle
- RDM/DMX 512 protocols
- 'Standard', 'Silent', 'Ultra Silent' and 'Automatic' fan modes
- Noise level
 - Fan Standard: 30dBA @ 1m (normal operation, 100% power)
 - Fan Silent: 26dBA @ 1m (normal operation, 100% power)
 - Fan Ultra Silent: 25dBA @ 1m (normal operation, 90% power)
 - Automatic: fans adapt to operational status (output power priority)
- Firmware updatable via DTS firmware uploader dongle

DMX

- 4 DMX channels (Default)
 - Shutter; Dimmer 16bit; Fixture Control channel
- 1 DMX channels
 - Dimmer 8bit
- "Fine" mode
 - Dimmer 16bit

POWER SUPPLY

- Wide range 100/240 Vac 50-60 Hz
- Power consumption: 260 W max / 230Vac
- Power Factor: PF >0.94

CONNECTIONS

- DMX: XLR 5 pole In/Out panel connectors
- Power supply: PowerCON TRUE1 In/Out panel connectors

CIRCUITS PROTECTIONS

- Overvoltage and overtemperature circuits protection

OPERATING TEMPERATURE

-10° / 45° C

STORAGE TEMPERATURE

-20° / 60° C

PHYSICAL

- IP20
- Weight:
 - FR - 9.5 Kg (20.9 lbs)
 - PC - 10.6 Kg (23.4 lbs)
- Finishing: Black

ACCESSORIES INCLUDED

- 1 x PowerCON TRUE1 female cable connector (code 0520P066)
- 1 x XLR 5 pins female cable connector (code 0508B147)
- 1 x XLR 5 pins male cable connector (code 0508B148)
- 1 x FilterframeBlack finishing - already installed on the projector (code 02M093399.49)

ACCESSORIES ON REQUEST

- Barndoor 4 leaf Black finishing (code 03.TBD07.49)
- Barndoor 8 leaf Black finishing (code 03.TBD09.49)
- Tophat (code 03.TA235)
- Outdoor DMX cable 2 x 0,25 mm2 - Flame retardant (code 0509C158)
- Aliscaf clamp for Ø 48-51 mm tube-max load 100 Kg 8code 0521A033)
- Professional G-QUICK clamp - max load 100 Kg (code 0521A037)
- Safety cable 3 x 600 mm - BGV-C1 certified (code 0521A049)
 - Single stranded: Max 20 Kg (44 lbs)
 - Double stranded: Max 30 Kg (66 lbs)
- Safety cable for Barndoor / Filterframe - Ø 0,8mm (code 0521A048)
- DTS firmware uploader dongle (code 03.LA.206)

PHOTOMETRIC DATA FRESNEL LENS

BEAM ANGLE 13° - @ 50%

BEAM ANGLE 69° - @ 10%

	mt 2 ft 6.56	mt 4 ft 13.12	mt 6 ft 19.68	mt 8 ft 26.25	mt 10 ft 32.81		mt 2 ft 6.56	mt 4 ft 13.12	mt 6 ft 19.68	mt 8 ft 26.25	mt 10 ft 32.81
3000 K	32969	8242	3663	2061	1319	lux center (lx)	5078	1270	564	317	203
	3064	766	340	192	54	foot candles (fc)	472	118	52	29	19
4000 K	38250	9570	4250	2400	1530	lux center (lx)	5850	1463	650	366	234
	3555	889	395	222	142	foot candles (fc)	544	136	60	34	22
5700 K	43969	10992	4885	2748	1759	lux center (lx)	6703	1676	745	419	268
	4086	1022	454	255	163	foot candles (fc)	623	156	69	39	25
	46	91	137	182	228	diameter (cm)	275	550	825	1100	1375
	1.5	2.99	4.49	5.98	7.48	diameter (ft)	9.02	18.04	27.06	36.08	45.10

PHOTOMETRIC DATA PC LENS

BEAM ANGLE 8° - @ 50%

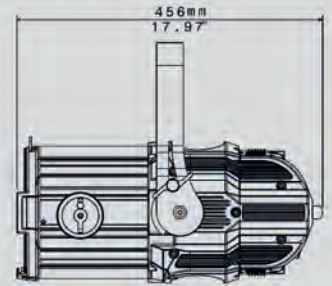
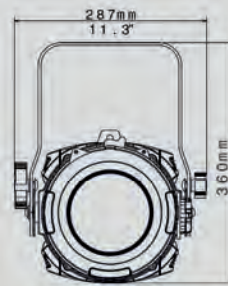
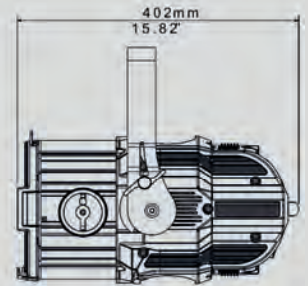
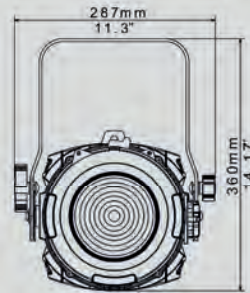
BEAM ANGLE 46° - @ 10%

	mt 2 ft 6.56	mt 4 ft 13.12	mt 6 ft 19.68	mt 8 ft 26.25	mt 10 ft 32.81		mt 2 ft 6.56	mt 4 ft 13.12	mt 6 ft 19.68	mt 8 ft 26.25	mt 10 ft 32.81
3000 K	46150	11550	5130	2890	1850	lux center (lx)	9000	2250	1000	563	360
	4287	1072	476	268	171	foot candles (fc)	836	209	93	52	33
4000 K	50175	12550	5575	3136	2010	lux center (lx)	9790	2450	1090	612	392
	4663	1166	518	291	187	foot candles (fc)	910	227	101	57	36
5700 K	55800	13280	5905	3320	2125	lux center (lx)	10800	2700	1200	675	432
	5186	1296	576	324	207	foot candles (fc)	1004	251	112	63	40
	28	56	84	112	140	diameter (cm)	170	340	509	679	849
	0.92	1.84	2.75	3.67	4.59	diameter (ft)	5.57	11.14	16.71	22.28	27.85

TENORE 3 HQS



THE COLOR MANAGEMENT SYSTEM
BY DTS IN A CONVENTIONAL
FRESNEL OR ANTIHALO FIXTURE



FEATURES



OPTIONALS

CERTIFICATIONS



CODES

FRESNEL LENS - 03.TTN000.49.F

ANTIHALO LENS - 03.TTN000.49.A



TECHNICAL DATA

OUTPUT

- Multi chip LED Source
- Lumens output: 4,500 lm (Fresnel lens)
- Lumens output: 2,700 lm (PC lens)
- CRI: up to 98
- TLCI: up to 96
- LED Lifespan: 20,000 hours (70% lumen output)

OPTICAL GROUP

- Ø 130 mm Fresnel lens or Antihalo (PC) lens
- Linear zoom
 - 12° - 68° with Fresnel lens
 - 7° - 45° with PC lens

COLOR & WHITE GENERATION

- 6-color LED engine
- Linear CCT (1800 K - 10000 K)
- Linear 'Green saturation'
- 100 gel filters emulation:
 - Linear crossfade from gel filters emulation to CCT whites
 - Linear crossfade between emulated gel filters
 - True color of gel filters emulation at any CCT values
- "Raw" RGBACL color-mixing in 'Advanced' mode

DIMMER

- Hi-Q Dimming technology
- Tungsten Emulation function

CONTROL

- LCD graphic display + Jog Shuttle
- RDM/DMX 512 protocols
- 'Standard', 'Silent', 'Ultra Silent' and 'Automatic' fan modes
- Noise level
 - Standard: 24dBA @ 1m (normal operation, 100% power)
 - Silent: 23dBA @ 1m (normal operation, 100% power)
 - Ultra Silent: 22dBA @ 1m (normal operation, 91% power)
 - Automatic: fans adapt to operational status (output power priority)
- Firmware updatable via DTS firmware uploader dongle

DMX

- CCT (Default)
 - Correlated Color Temperature
- Advanced
 - Correlated Color Temperature + Raw control for color channels RGBACL
- Basic
 - Correlated Color Temperature with priority on Gel Library and RGBACL color
- Expo
 - Dimmer 8 bit; Correlated Color Temperature priority on Gel Library
- CMY Emulation
 - Cyan, Magenta, Yellow and CTO emulation Mode

POWER SUPPLY

- Wide range 100/240 Vac 50-60 Hz
- Power consumption: 190 W max / 230Vac
- Power Factor: PF >0.94

CONNECTIONS

- DMX: XLR 5 pole In/Out panel connectors
- Power supply: PowerCON TRUE1 In/Out panel connectors

CIRCUITS PROTECTIONS

- Overvoltage and overtemperature circuits protection

OPERATING TEMPERATURE

-10° / 45° C

STORAGE TEMPERATURE

-20° / 60° C

PHYSICAL

- IP20
- Weight:
 - FR - 7.7 Kg (17 lbs)
 - PC - 8.5 Kg (18.7 lbs)
- Finishing: Black

ACCESSORIES INCLUDED

- 1 x PowerCON TRUE1 female cable connector (code 0520P066)
- 1 x XLR 5 pins female cable connector (code 0508B147)
- 1 x XLR 5 pins male cable connector (code 0508B148)
- 1 x Filter frame Black finishing - already installed on the projector (code 02M093424.49)

ACCESSORIES ON REQUEST

- Barndoor 4 leaf Black finishing (code 03.TBD06.49)
- Barndoor 8 leaf Black finishing (code 03.TBD08.49)
- Tophat (code 03.TA234)
- Outdoor DMX cable 2 x 0,25 mm2 - Flame retardant (code 0509C158)
- Aliscaf clamp for Ø 48-51 mm tube-max load 100 Kg 8code 0521A033)
- Professional G-QUICK clamp - max load 100 Kg (code 0521A037)
- Safety cable 3 x 600 mm - BGV-C1 certified (code 0521A049)
 - Single stranded: Max 20 Kg (44 lbs)
 - Double stranded: Max 30 Kg (66 lbs)
- Safety cable for Barndoor / Filterframe - Ø 0,8mm (code 0521A048)
- DTS firmware uploader dongle (code 03.LA.206)

PHOTOMETRIC DATA FRESNEL LENS

BEAM ANGLE 12° - @ 50%

BEAM ANGLE 68° - @ 10%

	mt 2 ft 6.56	mt 4 ft 13.12	mt 6 ft 19.68	mt 8 ft 26.25	mt 10 ft 32.81		mt 2 ft 6.56	mt 4 ft 13.12	mt 6 ft 19.68	mt 8 ft 26.25	mt 10 ft 32.81
3000 K	12040	3009	1338	752	482	lux center (lx)	1575	394	175	98	63
	1119	280	124	70	45	foot candles (fc)	146	37	16	9	6
4000 K	15980	4000	1775	1000	639	lux center (lx)	2140	534	238	134	86
	1485	371	165	93	59	foot candles (fc)	199	50	22	12	8
5600 K	15750	3940	1750	984	630	lux center (lx)	2050	512	228	128	82
	1464	366	163	91	59	foot candles (fc)	190	48	21	12	8
	42	83	125	167	208	diameter (cm)	270	540	809	1079	1349
	1.37	2.74	4.1	5.47	6.84	diameter (ft)	8.85	17.7	26.56	35.41	44.26

PHOTOMETRIC DATA PC LENS

BEAM ANGLE 7° - @ 50%

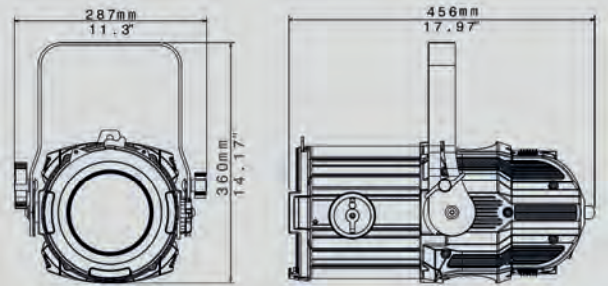
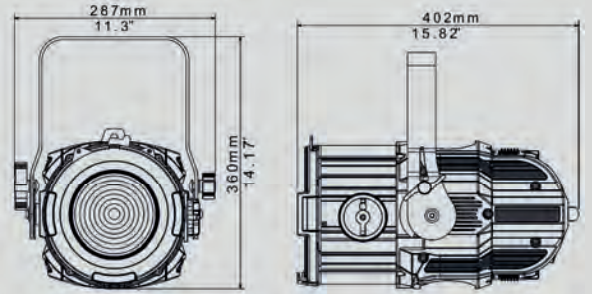
BEAM ANGLE 45° - @ 10%

	mt 2 ft 6.56	mt 4 ft 13.12	mt 6 ft 19.68	mt 8 ft 26.25	mt 10 ft 32.81		mt 2 ft 6.56	mt 4 ft 13.12	mt 6 ft 19.68	mt 8 ft 26.25	mt 10 ft 32.81
3000 K	17775	4444	1975	1111	711	lux center (lx)	1913	478	213	120	77
	1652	413	184	103	66	foot candles (fc)	178	44	20	11	7
4000 K	23850	5963	2650	1491	954	lux center (lx)	2588	647	288	162	104
	2217	554	246	139	89	foot candles (fc)	240	60	27	15	10
5600 K	23063	5766	2563	1441	923	lux center (lx)	2475	619	275	155	99
	2143	536	238	134	86	foot candles (fc)	230	58	26	14	9
	24	49	73	98	122	diameter (cm)	166	331	497	663	828
	0.8	1.61	2.41	3.21	4.01	diameter (ft)	5.44	10.87	16.31	21.74	27.18

TENORE 3 HDW



THE WHITE MANAGEMENT SYSTEM
BY DTS IN A CONVENTIONAL
FRESNEL OR ANTIHALO FIXTURE



FEATURES



OPTIONALS

CERTIFICATIONS



CODES

FRESNEL LENS - 03.TTN001.49.F

ANTIHALOLENS-03.TTN001.49.A



TECHNICAL DATA

OUTPUT

- Multi chip LED Source
- Lumens output: 4,500 lm (Fresnel lens)
- Lumens output: 2,700 lm (PC lens)
- CRI: up to 98
- TLCI: up to 96
- LED Lifespan: 20,000 hours (70% lumen output)

OPTICAL GROUP

- Ø 130 mm Fresnel lens or Antihalo (PC) lens
- Linear zoom
 - 12° - 68° with Fresnel lens
 - 7° - 45° with PC lens

COLOR & WHITE GENERATION

- 6-color LED engine
- Linear CCT (1800 K - 10000 K)
- Linear 'Green saturation'

DIMMER

- Hi-Q Dimming technology
- Tungsten Emulation function

CONTROL

- LCD graphic display + Jog Shuttle
- RDM/DMX 512 protocols
- 'Standard', 'Silent', 'Ultra Silent' and 'Automatic' fan modes
- Noise level
 - Fan Standard: 24dBA @ 1m (normal operation, 100% power)
 - Fan Silent: 23dBA @ 1m (normal operation, 100% power)
 - Fan Ultra Silent: 22dBA @ 1m (normal operation, 91% power)
 - Automatic: fans adapt to operational status (output power priority)
- Firmware updatable via DTS firmware uploader dongle

DMX

- CCT (Default)
 - Dimmer 16 bit with Correlated Color Temperature; Green saturation control
- Basic
 - Dimmer 8 bit with Correlated Color Temperature control

POWER SUPPLY

- Wide range 100/240 Vac 50-60 Hz
- Power consumption: 190 W max / 230Vac
- Power Factor: PF >0.94

CONNECTIONS

- DMX: XLR 5 pole In/Out panel connectors
- Power supply: PowerCON TRUE1 In/Out panel connectors

CIRCUITS PROTECTIONS

- Overvoltage and overtemperature circuits protection

OPERATING TEMPERATURE

-10° / 45° C

STORAGE TEMPERATURE

-20° / 60° C

PHYSICAL

- IP20
- Weight:
 - FR - 7.7 Kg (17 lbs)
 - PC - 8.5 Kg (18.7 lbs)
- Finishing: Black

ACCESSORIES INCLUDED

- 1 x PowerCON TRUE1 female cable connector (code 0520P066)
- 1 x XLR 5 pins female cable connector (code 0508B147)
- 1 x XLR 5 pins male cable connector (code 0508B148)
- 1 x Filter frame Black finishing - already installed on the projector (code 02M093424.49)

ACCESSORIES ON REQUEST

- Barndoor 4 leaf Black finishing (code 03.TBD06.49)
- Barndoor 8 leaf Black finishing (code 03.TBD08.49)
- Tophat (code 03.TA234)
- Outdoor DMX cable 2 x 0,25 mm2 - Flame retardant (code 0509C158)
- Aliscaf clamp for Ø 48-51 mm tube-max load 100 Kg 8code 0521A033)
- Professional G-QUICK clamp - max load 100 Kg (code 0521A037)
- Safety cable 3 x 600 mm - BGV-C1 certified (code 0521A049)
 - Single stranded: Max 20 Kg (44 lbs)
 - Double stranded: Max 30 Kg (66 lbs)
- Safety cable for Barndoor / Filterframe - Ø 0,8mm (code 0521A048)
- DTS firmware uploader dongle (code 03.LA.206)

PHOTOMETRIC DATA FRESNEL LENS

BEAM ANGLE 12° - @ 50%

BEAM ANGLE 68° - @ 10%

	mt 2 ft 6.56	mt 4 ft 13.12	mt 6 ft 19.68	mt 8 ft 26.25	mt 10 ft 32.81		mt 2 ft 6.56	mt 4 ft 13.12	mt 6 ft 19.68	mt 8 ft 26.25	mt 10 ft 32.81
3000 K	12040	3009	1338	752	482	lux center (lx)	1575	394	175	98	63
	1119	280	124	70	45	foot candles (fc)	146	37	16	9	6
4000 K	15980	4000	1775	1000	639	lux center (lx)	2140	534	238	134	86
	1485	371	165	93	59	foot candles (fc)	199	50	22	12	8
5600 K	15750	3940	1750	984	630	lux center (lx)	2050	512	228	128	82
	1464	366	163	91	59	foot candles (fc)	190	48	21	12	8
	42	83	125	167	208	diameter (cm)	270	540	809	1079	1349
	1.37	2.74	4.1	5.47	6.84	diameter (ft)	8.85	17.7	26.56	35.41	44.26

PHOTOMETRIC DATA PC LENS

BEAM ANGLE 7° - @ 50%

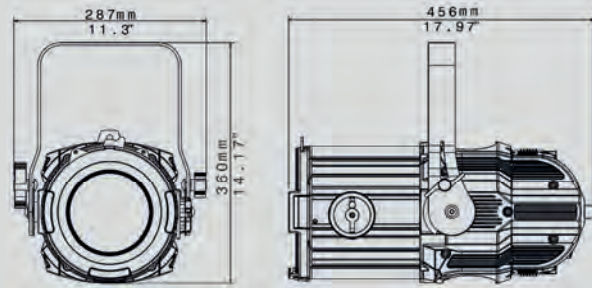
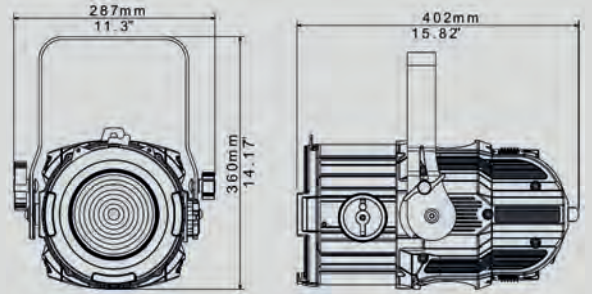
BEAM ANGLE 45° - @ 10%

	mt 2 ft 6.56	mt 4 ft 13.12	mt 6 ft 19.68	mt 8 ft 26.25	mt 10 ft 32.81		mt 2 ft 6.56	mt 4 ft 13.12	mt 6 ft 19.68	mt 8 ft 26.25	mt 10 ft 32.81
3000 K	17775	4444	1975	1111	711	lux center (lx)	1913	478	213	120	77
	1652	413	184	103	66	foot candles (fc)	178	44	20	11	7
4000 K	23850	5963	2650	1491	954	lux center (lx)	2588	647	288	162	104
	2217	554	246	139	89	foot candles (fc)	240	60	27	15	10
5600 K	23063	5766	2563	1441	923	lux center (lx)	2475	619	275	155	99
	2143	536	238	134	86	foot candles (fc)	230	58	26	14	9
	24	49	73	98	122	diameter (cm)	166	331	497	663	828
	0.8	1.61	2.41	3.21	4.01	diameter (ft)	5.44	10.87	16.31	21.74	27.18

TENORE 3 WH



THE UN-CONVENTIONAL FRESNEL
OR ANTIHALO SPOT WITH WHITE
SOURCE



FEATURES



OPTIONALS

CERTIFICATIONS



CODES

TENORE 3 - FRESNEL LENS

3000 K - 03.TTN002.49.F

4000 K - 03.TTN004.49.F

5700 K - 03.TTN003.49.F

TENORE 3- PC - ANTIHALO LENS

3000 K - 03.TTN002.49.A

4000 K - 03.TTN004.49.A

5700 K - 03.TTN003.49.A



TECHNICAL DATA

OUTPUT

- Single white 3000 K LED source
 - Lumens output: 7,400 lm (Fresnel lens)
 - Lumens output: 2,300 lm (PC lens)
 - CRI: >95
- Also available with 4000 K LED
 - Lumens output: 8,100 lm (Fresnel lens)
 - Lumens output: 2,500 lm (PC lens)
 - CRI: >95
- Single white 5700 K LED source
 - Lumens output: 8,700 lm (Fresnel lens)
 - Lumens output: 2,600 lm (PC lens)
 - CRI: >90
- LED Lifespan: 20,000 hours (70% lumen output)

OPTICAL GROUP

- Ø 130 mm Fresnel lens or Antihalo (PC) lens
- Linear zoom
 - 13° - 77° with Fresnel lens
 - 7° - 45° with PC lens

DIMMER

- PWM Dimming technology

CONTROL

- LCD graphic display + Jog Shuttle
- RDM/DMX 512 protocols
- 'Standard', 'Silent', 'Ultra Silent' and 'Automatic' fan modes
- Noise level
 - Fan Standard: 24dBA @ 1m (normal operation, 100% power)
 - Fan Silent: 23dBA @ 1m (normal operation, 100% power)
 - Fan Ultra Silent: 22dBA @ 1m (normal operation, 95% power)
 - Automatic: fans adapt to operational status (output power priority)
- Firmware updatable via DTS firmware uploader dongle

DMX

- 4 DMX channels (Default)
 - Shutter; Dimmer 16bit; Fixture Control channel
- 1 DMX channels
 - Dimmer 8bit
- "Fine" mode
 - Dimmer 16bit

POWER SUPPLY

- Wide range 100/240 Vac 50-60 Hz
- Power consumption: 145 W max / 230Vac
- Power Factor: PF >0.95

CONNECTIONS

- DMX: XLR 5 pole In/Out panel connectors
- Power supply: PowerCON TRUE1 In/Out panel connectors

CIRCUITS PROTECTIONS

- Overvoltage and overtemperature circuits protection

OPERATING TEMPERATURE

-10° / 45° C

STORAGE TEMPERATURE

-20° / 60° C

PHYSICAL

- IP20
- Weight:
 - FR - 7.8 Kg (17.1 lbs)
 - PC - 8.6 Kg (19 lbs)
- Finishing: Black

ACCESSORIES INCLUDED

- 1 x PowerCON TRUE1 female cable connector (code 0520P066)
- 1 x XLR 5 pins female cable connector (code 0508B147)
- 1 x XLR 5 pins male cable connector (code 0508B148)
- 1 x Filter frame Black finishing - already installed on the projector (code 02M093424.49)

ACCESSORIES ON REQUEST

- Barndoor 4 leaf Black finishing (code 03.TBD06.49)
- Barndoor 8 leaf Black finishing (code 03.TBD08.49)
- Tophat (code 03.TA234)
- Outdoor DMX cable 2 x 0,25 mm2 - Flame retardant (code 0509C158)
- Aliscraf clamp for Ø 48-51 mm tube-max load 100 Kg 8code 0521A033)
- Professional G-QUICK clamp - max load 100 Kg (code 0521A037)
- Safety cable 3 x 600 mm - BGV-C1 certified (code 0521A049)
 - Single stranded: Max 20 Kg (44 lbs)
 - Double stranded: Max 30 Kg (66 lbs)
- Safety cable for Barndoor / Filterframe - Ø 0,8mm (code 0521A048)
- DTS firmware uploader dongle (code 03.LA.206)

PHOTOMETRIC DATA FRESNEL LENS

BEAM ANGLE 13° - @ 50%

BEAM ANGLE 77° - @ 10%

	mt 2 ft 6.56	mt 4 ft 13.12	mt 6 ft 19.68	mt 8 ft 26.25	mt 10 ft 32.81		mt 2 ft 6.56	mt 4 ft 13.12	mt 6 ft 19.68	mt 8 ft 26.25	mt 10 ft 32.81
3000 K	17031	4258	1892	1064	681	lux center (lx)	2297	574	255	144	92
	1583	396	176	99	63	foot candles (fc)	213	53	24	13	9
4000 K	18680	4670	2080	1170	750	lux center (lx)	2520	630	280	158	101
	1736	434	193	108	69	foot candles (fc)	234	59	26	15	9
5700 K	19823	4956	2203	1239	793	lux center (lx)	2688	672	299	168	108
	1842	461	205	115	74	foot candles (fc)	250	62	28	16	10
	46	91	137	182	228	diameter (cm)	318	636	955	1273	1591
	1.5	2.99	4.49	5.98	7.48	diameter (ft)	10.44	20.88	31.32	41.75	52.19

PHOTOMETRIC DATA PC LENS

BEAM ANGLE 7° - @ 50%

BEAM ANGLE 45° - @ 10%

	mt 2 ft 6.56	mt 4 ft 13.12	mt 6 ft 19.68	mt 8 ft 26.25	mt 10 ft 32.81		mt 2 ft 6.56	mt 4 ft 13.12	mt 6 ft 19.68	mt 8 ft 26.25	mt 10 ft 32.81
3000 K	20700	5175	2300	1294	828	lux center (lx)	2370	600	263	148	95
	1924	481	214	120	77	foot candles (fc)	220	55	24	14	9
4000 K	22750	5685	2525	1420	910	lux center (lx)	2590	650	288	162	104
	2112	528	235	132	84	foot candles (fc)	240	60	27	15	10
5700 K	24000	6000	2700	1500	960	lux center (lx)	2820	700	313	176	113
	2227	557	247	139	89	foot candles (fc)	261	65	29	16	10
	24	49	73	98	122	diameter (cm)	166	331	497	663	828
	0.8	1.61	2.41	3.21	4.01	diameter (ft)	5.44	10.87	16.31	21.74	27.18

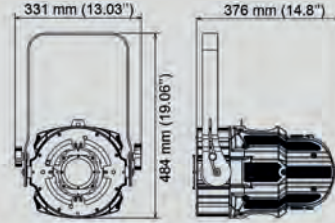
SOPRANO 5 HQS



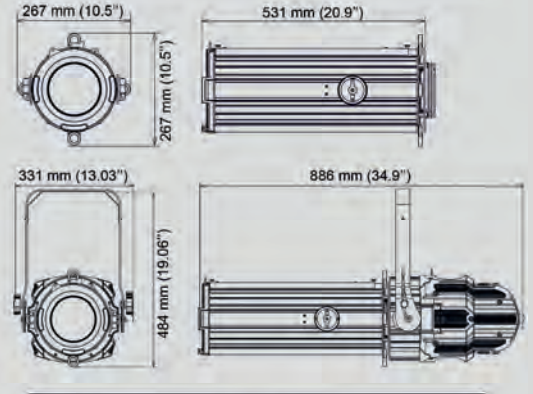
THE COLOR MANAGEMENT SYSTEM BY DTS IN A POWERFUL ELLIPSOIDAL SPOTLIGHT



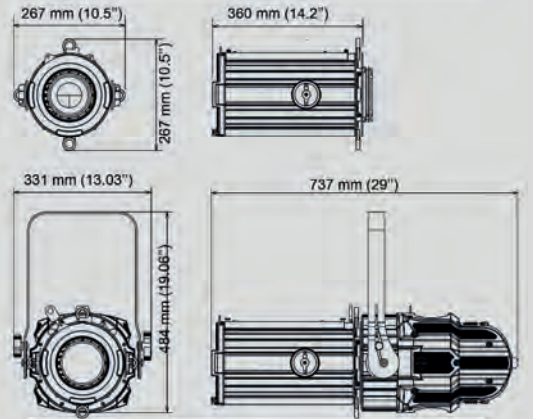
LED ENGINE



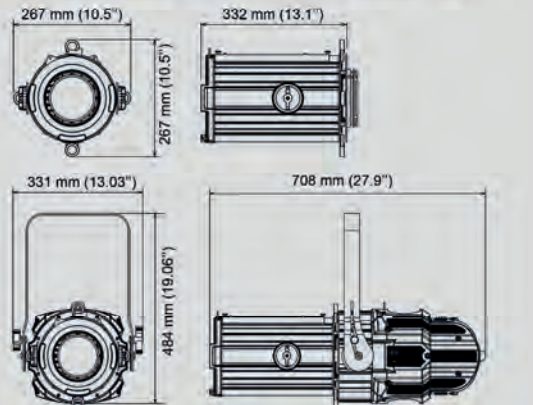
OPTICAL GROUP 8-20



OPTICAL GROUP 15-30



OPTICAL GROUP 25-50



FEATURES



OPTIONALS

CERTIFICATIONS



CODES

LED ENGINE - 03.TSP100.49

OPTICAL GROUPS

08-20 - 03.TSP902.49

15-30 - 03.TSP900.49

25-50 - 03.TSP901.49



TECHNICAL DATA

OUTPUT

- Multi chip LED Source
- Lumens output: 8,400 lm (Optical group 8-20)
- Lumens output: 9,600 lm (Optical group 15-30)
- Lumens output: 11,100 lm (Optical group 25-50)
- CRI: up to 98
- TLCI: up to 96
- LED Lifespan: 20,000 hours (70% lumen output)

- Noise level
- Standard: 34dBA @ 1m (normal operation, 100% power)
 - Silent: 29dBA @ 1m (normal operation, 87% power)
 - Ultra Silent: 26dBA @ 1m (normal operation, 70% power)- Automatic: fans adapt to operational status (output power priority)
 - Firmware updatable via DTS firmware uploader dongle

OPTICAL GROUP

- Changeable optics (*Led engine and optical group are sold separately*)
- Optical Group 8-20
 - 8°- 19° linear zoom
- Optical Group 15-30
 - 15°-30° linear zoom
- Optical Group 25-50
 - 21°-46° linear zoom

DMX

- CCT (Default)
 - Correlated Color Temperature
- Advanced
 - Correlated Color Temperature + Raw control for color channels RGBACL
- Basic
 - Correlated Color Temperature with priority on Gel Library and RGBACL color
- Expo
 - Dimmer 8 bit; Correlated Color Temperature priority on Gel Library
- CMY Emulation
 - Cyan, Magenta, Yellow and CTO emulation Mode

FRAMING SYSTEM

- Framing system composed of 4 symmetric blades
Blades are integrated in the optical group (not removable)
- Blades operate on three discrete planes
- 64° full system rotation (+/- 32°)

POWER SUPPLY

- Wide range 100/240 Vac 50-60 Hz
- Power consumption: 390 W max / 230Vac
- Power Factor: PF >0.94

GOBOS

- Ø external (ED): 80 mm + 0.2/-0.2 mm
- Ø of image (ID): 50 mm
- Thickness: from 0.2 to 1.5 mm

CONNECTIONS

- DMX: XLR 5 pole In/Out panel connectors
- Power supply: PowerCON TRUE1 In/Out panel connectors

COLOR & WHITE GENERATION

- 6-color LED engine
- Linear CCT (1800 K - 10000 K)
- Linear 'Green saturation'
- 100 gel filters emulation:
 - Linear crossfade from gel filters emulation to CCT whites
 - Linear crossfade between emulated gel filters
 - True color of gel filters emulation at any CCT values
- "Raw" RGBACL color-mixing in Advanced' mode

CIRCUITS PROTECTIONS

- Overvoltage and overtemperature circuits protection

OPERATING TEMPERATURE

-10° / 45° C

STORAGE TEMPERATURE

-20° / 60° C

DIMMER

- Hi-Q Dimming technology
- Tungsten Emulation function

PHYSICAL

- IP20
- LED engine weight:
 - 8 Kg (17.6 lbs)
- Optical group weight:
 - 8-20: 7 Kg (15.4 lbs)
 - 15-30: 5.2 Kg (11.5 lbs)
 - 25-50: 5.9 Kg (13 lbs)
- Finishing: Black

CONTROL

- LCD graphic display + Jog Shuttle
- RDM/DMX 512 protocols
- 'Standard', 'Silent', 'Ultra Silent' and 'Automatic' fan modes

ACCESSORIES INCLUDED

- 1 x PowerCON TRUE1 female cable connector (code 0520P066)
- 1 x XLR 5 pins female cable connector (code 0508B147)
- 1 x XLR 5 pins male cable connector (code 0508B148)
- 1 x FilterframeBlack finishing - already installed on the projector (code 02M093424.49)

ACCESSORIES ON REQUEST

- Gobo holder (code 03.TA229)
- Gobo + Soft Edge filter holder (03.TA230)
- Gobo2 + Frost filter holder (03.TA231)
- Indexable Gobo2 holder (03.TA232)
- Iris/Diaphragm (code 03.TA228)
- Barndoor 4 leaf Black finishing (code 03.TBD06.49)
- Barndoor 8 leaf Black finishing (code 03.TBD08.49)
- Outdoor DMX cable 2 x 0,25 mm2 - Flame retardant (code 0509C158)
- Aliscaf clamp for Ø 48-51 mm tube-max load 100 Kg 8code 0521A033)
- Professional G-QUICK clamp - max load 100 Kg (code 0521A037)
- Safety cable 3 x 600 mm - BGV-C1 certified (code 0521A049)
 - Single stranded: Max 20 Kg (44 lbs)
 - Double stranded: Max 30 Kg (66 lbs)
- Safety cable for Barndoor / Filterframe - Ø 0,8mm (code 0521A048)
- DTS firmware uploader dongle (code 03.LA.206)

PHOTOMETRIC DATA OPTICAL GROUP 8-20

BEAM ANGLE 8°

BEAM ANGLE 19°

	mt 2 ft 6.56	mt 4 ft 13.12	mt 6 ft 19.68	mt 8 ft 26.25	mt 10 ft 32.81		mt 2 ft 6.56	mt 4 ft 13.12	mt 6 ft 19.68	mt 8 ft 26.25	mt 10 ft 32.81
3000 K	43200	10800	4800	2700	1730	lux center (lx)	18400	4600	2050	1150	740
	4015	1004	446	251	161	foot candles (fc)	1710	428	190	107	68
4000 K	56800	14200	6320	3550	2280	lux center (lx)	24400	6100	2720	1530	980
	5279	1320	587	330	211	foot candles (fc)	2268	567	252	142	91
5600 K	72000	18000	8000	4500	2900	lux center (lx)	31200	7800	3470	1950	1250
	6691	1673	743	418	268	foot candles (fc)	2900	725	322	181	116
	29	57	86	115	143	diameter (cm)	67	134	201	268	335
	0.94	1.88	2.82	3.76	4.70	diameter (ft)	2.2	4.39	6.59	8.78	10.98

PHOTOMETRIC DATA OPTICAL GROUP 15-30

BEAM ANGLE 15°

BEAM ANGLE 30°

	mt 2 ft 6.56	mt 4 ft 13.12	mt 6 ft 19.68	mt 8 ft 26.25	mt 10 ft 32.81		mt 2 ft 6.56	mt 4 ft 13.12	mt 6 ft 19.68	mt 8 ft 26.25	mt 10 ft 32.81
3000 K	23400	5850	2600	1463	936	lux center (lx)	7920	1980	880	495	317
	2175	544	242	136	87	foot candles (fc)	736	184	82	46	29
4000 K	30560	7640	3396	1910	1222	lux center (lx)	10340	2585	1149	646	414
	2840	710	316	178	114	foot candles (fc)	961	240	107	60	38
5600 K	38560	9640	4284	2410	1542	lux center (lx)	12960	3240	1440	810	518
	3584	896	398	224	143	foot candles (fc)	1204	301	134	75	48
	53	105	158	211	263	diameter (cm)	107	214	322	429	536
	1.73	3.46	5.18	6.91	8.64	diameter (ft)	3.52	7.03	10.55	14.07	17.58

PHOTOMETRIC DATA OPTICAL GROUP 25-50

BEAM ANGLE 21°

BEAM ANGLE 46°

	mt 2 ft 6.56	mt 4 ft 13.12	mt 6 ft 19.68	mt 8 ft 26.25	mt 10 ft 32.81		mt 2 ft 6.56	mt 4 ft 13.12	mt 6 ft 19.68	mt 8 ft 26.25	mt 10 ft 32.81	
3000 K	16308	4077	1812	1019	652	lux center (lx)	3960	990	440	248	158	3000 K
	1516	379	168	95	61	foot candles (fc)	368	92	41	23	15	
4000 K	21280	5320	2364	1330	851	lux center (lx)	5160	1290	573	323	206	4000 K
	1978	494	220	124	79	foot candles (fc)	480	120	53	30	19	
5600 K	26760	6690	2973	1673	1070	lux center (lx)	6520	1630	724	408	261	5600 K
	2487	622	276	155	99	foot candles (fc)	606	151	67	38	24	
	74	148	222	297	371	diameter (cm)	170	340	509	679	849	
	2.43	4.86	7.30	9.73	12.16	diameter (ft)	5.57	11.14	16.71	22.28	27.85	

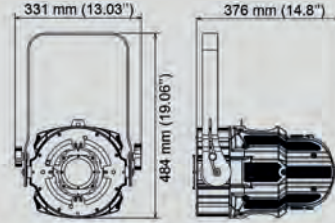
SOPRANO 5 HDW



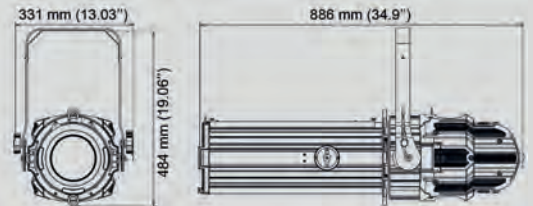
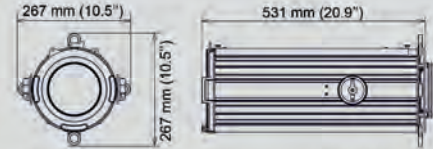
THE WHITE MANAGEMENT SYSTEM BY DTS IN A POWERFUL ELLIPSOIDAL SPOTLIGHT



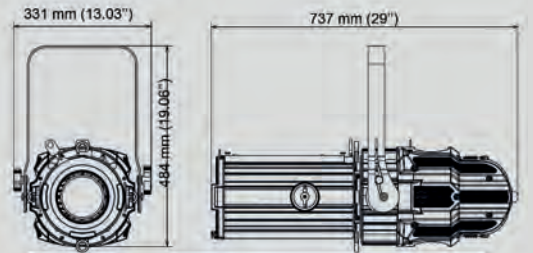
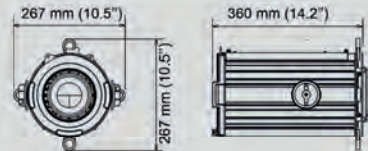
LED ENGINE



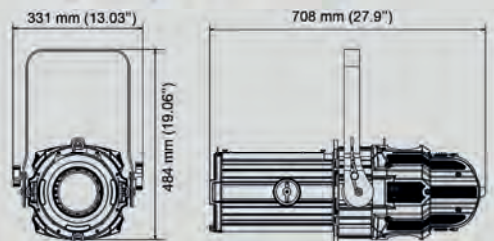
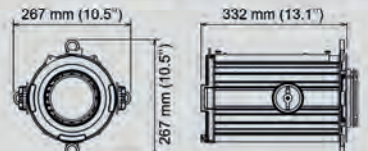
OPTICAL GROUP 8-20



OPTICAL GROUP 15-30



OPTICAL GROUP 25-50



FEATURES



OPTIONALS

CERTIFICATIONS



CODES

LED ENGINE - 03.TSP101.49

OPTICAL GROUPS

08-20 - 03.TSP902.49

15-30 - 03.TSP900.49

25-50 - 03.TSP901.49



TECHNICAL DATA

OUTPUT

- Multi chip LED Source
- Lumens output: 8,400 lm (Optical group 8-20)
- Lumens output: 9,600 lm (Optical group 15-30)
- Lumens output: 11,100 lm (Optical group 25-50)
- CRI: up to 98
- TLCI: up to 96
- LED Lifespan: 20.000 hours (70% lumen output)

OPTICAL GROUP

- Changeable optics (*Led engine and optical group are sold separately*)
- Optical Group 8-20 - 8° - 19° linear zoom
- Optical Group 15-30 - 15° - 30° linear zoom
- Optical Group 25-50 - 21° - 46° linear zoom

FRAMING SYSTEM

- Framing system composed of 4 symmetric blades
Blades are integrated in the optical group (not removable)
- Blades operate on three discrete planes
- 64° full system rotation (+/- 32°)

GOBOS

- Ø external (ED): 80 mm + 0.2/-0.2 mm
- Ø of image (ID): 50 mm
- Thickness: from 0.2 to 1.5 mm

COLOR & WHITE GENERATION

- 6-color LED engine
- Linear CCT (1800 K - 10000 K)
- Linear 'Green saturation'

DIMMER

- Hi-Q Dimming technology
- Tungsten Emulation function

CONTROL

- LCD graphic display + Jog Shuttle
- RDM/DMX 512 protocols
- 'Standard', 'Silent', 'Ultra Silent' and 'Automatic' fan modes

- Noise level
 - Standard: 34dBA @ 1m (normal operation, 100% power)
 - Silent: 29dBA @ 1m (normal operation, 87% power)
 - Ultra Silent: 26dBA @ 1m (normal operation, 70% power)
 - Automatic: fans adapt to operational status (output power priority)
- Firmware updatable via DTS firmware uploader dongle

DMX

- CCT (Default)
 - Correlated Color Temperature
- Basic
 - Dimmer 8 bit with Correlated color Temperature control

POWER SUPPLY

- Wide range 100/240 Vac 50-60 Hz
- Power consumption: 390 W max / 230Vac
- Power Factor: PF >0.94

CONNECTIONS

- DMX: XLR 5 pole In/Out panel connectors
- Power supply: PowerCON TRUE1 In/Out panel connectors

CIRCUITS PROTECTIONS

- Overvoltage and overtemperature circuits protection

OPERATING TEMPERATURE

-10° / 45° C

STORAGE TEMPERATURE

-20° / 60° C

PHYSICAL

- IP20
- LED engine weight:
 - 8 Kg (17.6 lbs)
- Optical group weight:
 - 8-20: 7 Kg (15.4 lbs)
 - 15-30: 5.2 Kg (11.5 lbs)
 - 25-50: 5.9 Kg (13 lbs)
- Finishing: Black

ACCESSORIES INCLUDED

- 1 x PowerCON TRUE1 female cable connector (code 0520P066)
- 1 x XLR 5 pins female cable connector (code 0508B147)
- 1 x XLR 5 pins male cable connector (code 0508B148)
- 1 x FilterframeBlack finishing - already installed on the projector (code 02M093424.49)

ACCESSORIES ON REQUEST

- Gobo holder (code 03.TA229)
- Gobo + Soft Edge filter holder (03.TA230)
- Gobo2 + Frost filter holder (03.TA231)
- Indexable Gobo2 holder (03.TA232)
- Iris/Diaphragm (code 03.TA228)
- Barndoor 4 leaf Black finishing (code 03.TBD06.49)
- Barndoor 8 leaf Black finishing (code 03.TBD08.49)
- Outdoor DMX cable 2 x 0,25 mm2 - Flame retardant (code 0509C158)
- Aliscraf clamp for Ø 48-51 mm tube-max load 100 Kg 8code 0521A033)
- Professional G-QUICK clamp - max load 100 Kg (code 0521A037)
- Safety cable 3 x 600 mm - BGV-C1 certified (code 0521A049)
 - Single stranded: Max 20 Kg (44 lbs)
 - Double stranded: Max 30 Kg (66 lbs)
- Safety cable for Barndoor / Filterframe - Ø 0,8mm (code 0521A048)
- DTS firmware uploader dongle (code 03.LA.206)

PHOTOMETRIC DATA OPTICAL GROUP 8-20 BEAM ANGLE 19°

BEAM ANGLE 8°

	mt 2 ft 6.56	mt 4 ft 13.12	mt 6 ft 19.68	mt 8 ft 26.25	mt 10 ft 32.81		mt 2 ft 6.56	mt 4 ft 13.12	mt 6 ft 19.68	mt 8 ft 26.25	mt 10 ft 32.81
3000 K	43200	10800	4800	2700	1730	lux center (lx)	18400	4600	2050	1150	740
	4015	1004	446	251	161	foot candles (fc)	1710	428	190	107	68
4000 K	56800	14200	6320	3550	2280	lux center (lx)	24400	6100	2720	1530	980
	5279	1320	587	330	211	foot candles (fc)	2268	567	252	142	91
5600 K	72000	18000	8000	4500	2900	lux center (lx)	31200	7800	3470	1950	1250
	6691	1673	743	418	268	foot candles (fc)	2900	725	322	181	116
	29	57	86	115	143	diameter (cm)	67	134	201	268	335
	0.94	1.88	2.82	3.76	4.70	diameter (ft)	2.2	4.39	6.59	8.78	10.98

PHOTOMETRIC DATA OPTICAL GROUP 15-30 BEAM ANGLE 30°

BEAM ANGLE 15°

	mt 2 ft 6.56	mt 4 ft 13.12	mt 6 ft 19.68	mt 8 ft 26.25	mt 10 ft 32.81		mt 2 ft 6.56	mt 4 ft 13.12	mt 6 ft 19.68	mt 8 ft 26.25	mt 10 ft 32.81
3000 K	23400	5850	2600	1463	936	lux center (lx)	7920	1980	880	495	317
	2175	544	242	136	87	foot candles (fc)	736	184	82	46	29
4000 K	30560	7640	3396	1910	1222	lux center (lx)	10340	2585	1149	646	414
	2840	710	316	178	114	foot candles (fc)	961	240	107	60	38
5600 K	38560	9640	4284	2410	1542	lux center (lx)	12960	3240	1440	810	518
	3584	896	398	224	143	foot candles (fc)	1204	301	134	75	48
	53	105	158	211	263	diameter (cm)	107	214	322	429	536
	1.73	3.46	5.18	6.91	8.64	diameter (ft)	3.52	7.03	10.55	14.07	17.58

PHOTOMETRIC DATA OPTICAL GROUP 25-50 BEAM ANGLE 46°

BEAM ANGLE 21°

	mt 2 ft 6.56	mt 4 ft 13.12	mt 6 ft 19.68	mt 8 ft 26.25	mt 10 ft 32.81		mt 2 ft 6.56	mt 4 ft 13.12	mt 6 ft 19.68	mt 8 ft 26.25	mt 10 ft 32.81
3000 K	16308	4077	1812	1019	652	lux center (lx)	3960	990	440	248	158
	1516	379	168	95	61	foot candles (fc)	368	92	41	23	15
4000 K	21280	5320	2364	1330	851	lux center (lx)	5160	1290	573	323	206
	1978	494	220	124	79	foot candles (fc)	480	120	53	30	19
5600 K	26760	6690	2973	1673	1070	lux center (lx)	6520	1630	724	408	261
	2487	622	276	155	99	foot candles (fc)	606	151	67	38	24
	74	148	222	297	371	diameter (cm)	170	340	509	679	849
	2.43	4.86	7.30	9.73	12.16	diameter (ft)	5.57	11.14	16.71	22.28	27.85

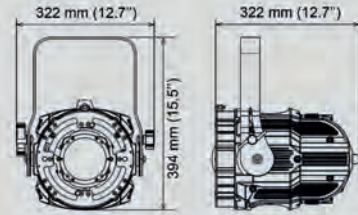
SOPRANO 5 WH



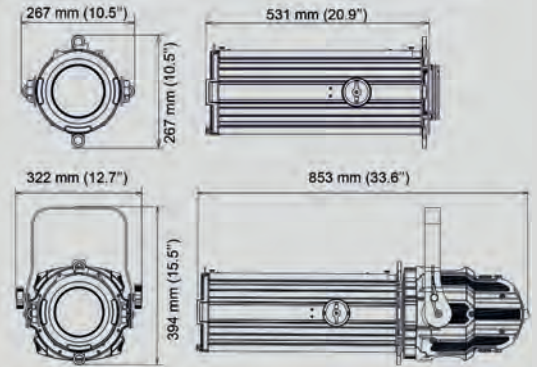
THE UN-CONVENTIONAL
ELLIPSOIDAL PROJECTOR WITH
POWERFUL WHITE SOURCE



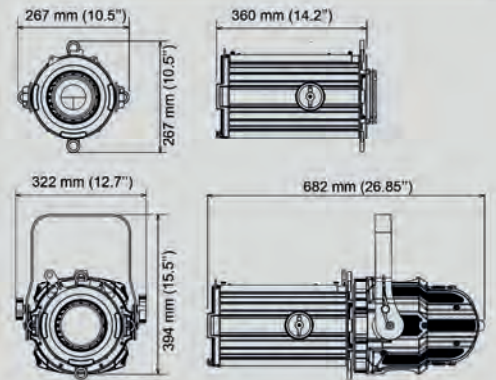
LED ENGINE



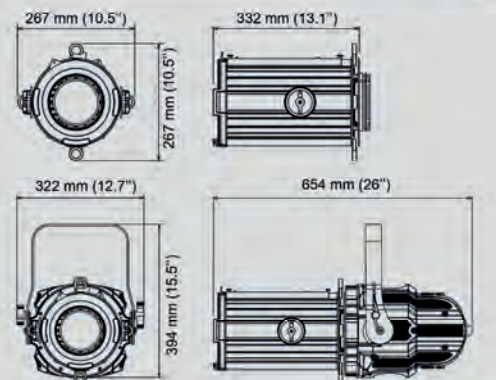
OPTICAL GROUP 8-20



OPTICAL GROUP 15-30



OPTICAL GROUP 25-50



FEATURES



OPTIONALS

CERTIFICATIONS



CODES

LED ENGINE

3000 K - 03.TSP102.49
4000 K - 03.TSP104.49
5700 K - 03.TSP103.49

OPTICAL GROUP

15-30 - 03.TSP900.49
25-50 - 03.TSP901.49
08-20 - 03.TSP902.49



TECHNICAL DATA

OUTPUT

- Single white 3000 K LED source
 - Lumens Output: 7,100 lm (Optical group 8-20)
 - Lumens Output: 8,100 lm (Optical group 15-30)
 - Lumens Output: 9,900 lm (Optical group 25-50)
- CRI >95
- Single white 5700 K LED source
 - Lumens Output: 8,500 lm (Optical group 8-20)
 - Lumens Output: 9,900 (Optical group 15-30)
 - Lumens Output: 11,800 (Optical group 25-50)
- CRI >90
- Also available with 4000 K LED
 - Lumens Output: 7,300 lm (Optical group 8-20)
 - Lumens output: 8,600 lm (Optical group 15-30)
 - Lumens output: 10,100 lm (Optical group 25-50)
 - CRI: >95
- LED Lifespan: 20,000 hours (70% lumen output)

OPTICAL GROUP

- Changeable optics (*Led engine and optical group are sold separately*)
- Optical Group 8-20
 - 8° - 19° linear zoom
- Optical Group 15-30
 - 15° - 30° linear zoom
- Optical Group 25-50
 - 21° - 46° linear zoom

FRAMING SYSTEM

- Framing system composed of 4 symmetric blades
Blades are integrated in the optical group (not removable)
- Blades operate on three discrete planes
- 64° full system rotation (+/- 32°)

GOBOS

- Ø external (ED): 80 mm + 0.2/-0.2 mm
- Ø of image (ID): 50 mm
- Thickness: from 0.2 to 1.5 mm

DIMMER

- PWM Dimming technology

CONTROL

- LCD graphic display + Jog Shuttle
- RDM/DMX 512 protocols
- 'Standard', 'Silent', 'Ultra Silent' and 'Automatic' fan modes
- Noise level
 - Standard: 30dBA @ 1m (normal operation, 100% power)
 - Silent: 26dBA @ 1m (normal operation, 100% power)
 - Ultra Silent: 25dBA @ 1m (normal operation, 90% power)
- Automatic: fans adapt to operational status (output power priority)
- Firmware updatable via DTS firmware uploader dongle

DMX

- 4 DMX channels (Default)
 - Shutter, Dimmer 16bit and Fixture Control channel.
- 1DMX channel - Dimmer 8bit
- "Fine" mode - Dimmer 16bit

POWER SUPPLY

- Wide range 100/240 Vac 50-60 Hz
- Power consumption: 260 W max / 230Vac
- Power Factor: PF >0.94

CONNECTIONS

- DMX: XLR 5 pole In/Out panel connectors
- Power supply: PowerCON TRUE1 In/Out panel connectors

CIRCUITS PROTECTIONS

- Overvoltage and overtemperature circuits protection

OPERATING TEMPERATURE

-10° / 45° C

STORAGE TEMPERATURE

-20° / 60° C

PHYSICAL

- IP20
- LED engine weight:
 - 7.7 Kg (17 lbs)
- Optical group weight:
 - 8-20: 7 Kg (15.4 lbs)
 - 15-30: 5.2 Kg (11.5 lbs)
 - 25-50: 5.9 Kg (13 lbs)
- Finishing: Black

ACCESSORIES INCLUDED

- 1 x PowerCON TRUE1 female cable connector (code 0520P066)
- 1 x XLR 5 pins female cable connector (code 0508B147)
- 1 x XLR 5 pins male cable connector (code 0508B148)
- 1 x FilterframeBlack finishing - already installed on the projector (code 02M093424.49)

ACCESSORIES ON REQUEST

- Gobo holder (code 03.TA229)
- Gobo + Soft Edge filter holder (03.TA230)
- Gobo2 + Frost filter holder (03.TA231)
- Indexable Gobo2 holder (03.TA232)
- Iris/Diaphragm (code 03.TA228)
- Barndoor 4 leaf Black finishing (code 03.TBD06.49)
- Barndoor 8 leaf Black finishing (code 03.TBD08.49)
- Outdoor DMX cable 2 x 0,25 mm2 - Flame retardant (code 0509C158)
- Aliscraf clamp for Ø 48-51 mm tube-max load 100 Kg 8code 0521A033)
- Professional G-QUICK clamp - max load 100 Kg (code 0521A037)
- Safety cable 3 x 600 mm - BGV-C1 certified (code 0521A049)
 - Single stranded: Max 20 Kg (44 lbs)
 - Double stranded: Max 30 Kg (66 lbs)
- Safety cable for Barndoor / Filterframe - Ø 0,8mm (code 0521A048)
- DTS firmware uploader dongle (code 03.LA.206)

PHOTOMETRIC DATA OPTICAL GROUP 8-20

BEAM ANGLE 8°

BEAM ANGLE 19°

	mt 2 ft 6.56	mt 4 ft 13.12	mt 6 ft 19.68	mt 8 ft 26.25	mt 10 ft 32.81		mt 2 ft 6.56	mt 4 ft 13.12	mt 6 ft 19.68	mt 8 ft 26.25	mt 10 ft 32.81
3000 K	6000	15000	6670	3750	2400	lux center (lx)	29200	7300	3250	1830	1170
	5576	1394	620	349	223	foot candles (fc)	2714	678	302	170	109
4000 K	64000	16000	7120	4000	2560	lux center (lx)	30400	7600	3380	1900	1220
	5948	1487	661	372	238	foot candles (fc)	2825	706	314	177	113
5700 K	70000	17500	7780	4380	2800	lux center (lx)	34400	8600	3830	2150	1380
	6506	1626	723	407	260	foot candles (fc)	3197	799	355	200	128
	29	57	86	115	143	diameter (cm)	67	134	201	268	335
	0.94	1.88	2.82	3.76	4.70	diameter (ft)	2.20	4.39	6.59	8.78	10.98

PHOTOMETRIC DATA OPTICAL GROUP 15-30

BEAM ANGLE 15°

BEAM ANGLE 30°

	mt 2 ft 6.56	mt 4 ft 13.12	mt 6 ft 19.68	mt 8 ft 26.25	mt 10 ft 32.81		mt 2 ft 6.56	mt 4 ft 13.12	mt 6 ft 19.68	mt 8 ft 26.25	mt 10 ft 32.81
3000 K	37200	9300	4133	2325	1488	lux center (lx)	12400	3100	1378	775	496
	3457	864	384	216	138	foot candles (fc)	1152	288	128	72	46
4000 K	39200	9800	4360	2450	1568	lux center (lx)	13700	3450	1520	855	550
	3643	911	405	228	146	foot candles (fc)	1271	318	141	79	51
5700 K	42644	10666	4740	2667	1707	lux center (lx)	15540	3885	1727	971	622
	3965	991	441	248	159	foot candles (fc)	1444	361	160	90	58
	53	105	158	211	263	diameter (cm)	107	214	322	429	536
	1.73	3.46	5.18	6.91	8.64	diameter (ft)	3.52	7.03	10.55	14.07	17.58

PHOTOMETRIC DATA OPTICAL GROUP 25-50

BEAM ANGLE 21°

BEAM ANGLE 46°

	mt 2 ft 6.56	mt 4 ft 13.12	mt 6 ft 19.68	mt 8 ft 26.25	mt 10 ft 32.81		mt 2 ft 6.56	mt 4 ft 13.12	mt 6 ft 19.68	mt 8 ft 26.25	mt 10 ft 32.81
3000 K	25200	6300	2800	1575	1008	lux center (lx)	6000	1500	667	375	240
	2342	586	260	146	94	foot candles (fc)	558	139	62	35	22
4000 K	26400	6600	2940	1650	1060	lux center (lx)	6400	1600	720	400	256
	2454	613	273	153	98	foot candles (fc)	595	149	66	37	24
5700 K	29600	7400	3289	1850	1184	lux center (lx)	7460	1865	829	466	298
	2751	688	306	172	110	foot candles (fc)	693	173	77	43	28
	74	148	222	297	371	diameter (cm)	170	340	509	679	849
	2.43	4.86	7.30	9.73	12.16	diameter (ft)	5.57	11.14	16.71	22.28	27.85

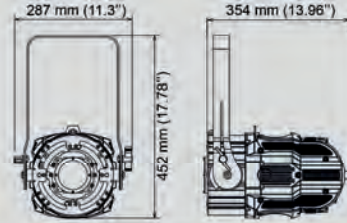
SOPRANO 3 HQS



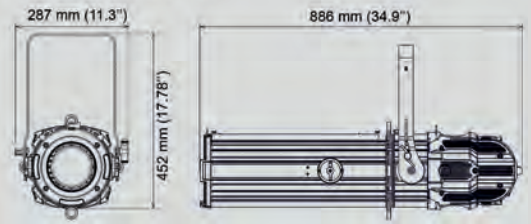
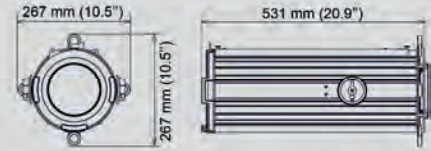
THE COLOR MANAGEMENT SYSTEM
BY DTS IN A CONVENTIONAL
ELLIPSOIDAL SPOTLIGHT



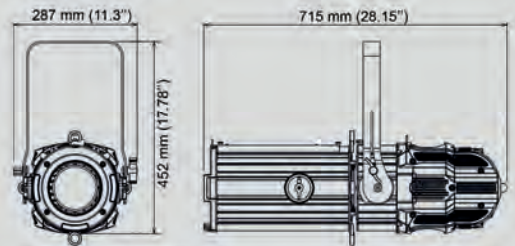
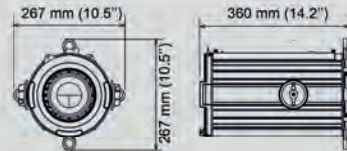
LED ENGINE



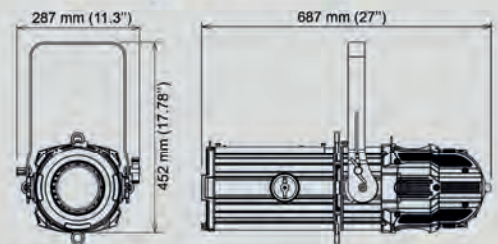
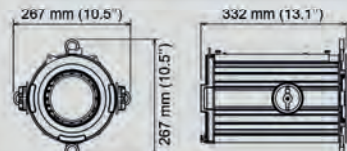
OPTICAL GROUP 8-20



OPTICAL GROUP 15-30



OPTICAL GROUP 25-50



FEATURES



OPTIONALS

CERTIFICATIONS



CODES

LED ENGINE - 03.TSP000.49

OPTICAL GROUPS

08-20 - 03.TSP902.49

15-30 - 03.TSP900.49

25-50 - 03.TSP901.49



TECHNICAL DATA

OUTPUT

- Multi chip LED Source
- Lumens output: 4,100 lm (Optical group 8-20)
- Lumens output: 5,100 lm (Optical group 15-30)
- Lumens output: 6,100 lm (Optical group 25-50)
- CRI: up to 98
- TLCI: up to 96
- LED Lifespan: 20,000 hours (70% lumen output)

OPTICAL GROUP

- Changeable optics (*Led engine and optical group are sold separately*)
- Optical Group 8-20 - 8° - 19° linear zoom
- Optical Group 15-30 - 15° - 30° linear zoom
- Optical Group 25-50 - 21° - 46° linear zoom

FRAMING SYSTEM

- Framing system composed of 4 symmetric blades
Blades are integrated in the optical group (not removable)
- Blades operate on three discrete planes
- 64° full system rotation (+/- 32°)

GOBOS

- Ø external (ED): 80 mm + 0.2/-0.2 mm
- Ø of image (ID): 50 mm
- Thickness: from 0.2 to 1.5 mm

COLOR & WHITE GENERATION

- 6-color LED engine
- Linear CCT (1800 K - 10000 K)
- Linear 'Green saturation'
- 100 gel filters emulation:
 - Linear crossfade from gel filters emulation to CCT whites
 - Linear crossfade between emulated gel filters
 - True color of gel filters emulation at any -10° / 45° C CCT values
- "Raw" RGBACL color-mixing in 'Advanced' mode

DIMMER

- Hi-Q Dimming technology
- Tungsten Emulation function

CONTROL

- LCD graphic display + Jog Shuttle
- RDM/DMX 512 protocols
- 'Standard', 'Silent', 'Ultra Silent' and 'Automatic' fan modes

Noise level

- **Standard: 24dBA @ 1m (normal operation, 100% power)**
- **Silent: 23dBA @ 1m (normal operation, 100% power)**
- **Ultra Silent: 22dBA @ 1m (normal operation, 91% power)**
- **Automatic: fans adapt to operational status (output power priority)**
- Firmware updatable via DTS firmware uploader dongle

DMX

- CCT (Default)
 - Correlated Color Temperature
- Advanced
 - Correlated Color Temperature + Raw control for color channels RGBACL
- Basic
 - Correlated Color Temperature with priority on Gel Library and RGBACL color
- Expo
 - Dimmer 8 bit; Correlated Color Temperature priority on Gel Library
- CMY Emulation
 - Cyan, Magenta, Yellow and CTO emulation Mode

POWER SUPPLY

- Wide range 100/240 Vac 50-60 Hz
- Power consumption: 190 W max / 230Vac
- Power Factor: PF >0.94

CONNECTIONS

- DMX: XLR 5 pole In/Out panel connectors
- Power supply: PowerCON TRUE1 In/Out panel connectors

CIRCUITS PROTECTIONS

- Overvoltage and overtemperature circuits protection

OPERATING TEMPERATURE

-20° / 45° C

STORAGE TEMPERATURE

-20° / 60° C

PHYSICAL

- IP20
- LED engine weight: - 6.8 Kg (15 lbs)
- Optical group weight:
 - 8-20: 7 Kg (15.4 lbs)
 - 15-30: 5.2 Kg (11.5 lbs)
 - 25-50: 5.9 Kg (13 lbs)
- Finishing: Black

ACCESSORIES INCLUDED

- 1 x PowerCON TRUE1 female cable connector (code 0520P066)
- 1 x XLR 5 pins female cable connector (code 0508B147)
- 1 x XLR 5 pins male cable connector (code 0508B148)
- 1 x FilterframeBlack finishing - already installed on the projector (code 02M093424.49)

ACCESSORIES ON REQUEST

- Gobo holder (code 03.TA229)
- Gobo + Soft Edge filter holder (03.TA230)
- Gobo2 + Frost filter holder (03.TA231)
- Indexable Gobo2 holder (03.TA232)
- Iris/Diaphragm (code 03.TA228)
- Barndoor 4 leaf Black finishing (code 03.TBD06.49)
- Barndoor 8 leaf Black finishing (code 03.TBD08.49)
- Outdoor DMX cable 2 x 0,25 mm2 - Flame retardant (code 0509C158)
- Aliscraf clamp for Ø 48-51 mm tube-max load 100 Kg 8code 0521A033)
- Professional G-QUICK clamp - max load 100 Kg (code 0521A037)
- Safety cable 3 x 600 mm - BGV-C1 certified (code 0521A049)
 - Single stranded: Max 20 Kg (44 lbs)
 - Double stranded: Max 30 Kg (66 lbs)
- Safety cable for Barndoor / Filterframe - Ø 0,8mm (code 0521A048)
- DTS firmware uploader dongle (code 03.LA.206)

PHOTOMETRIC DATA OPTICAL GROUP 8-20

BEAM ANGLE 8°

BEAM ANGLE 19°

	mt 2 ft 6.56	mt 4 ft 13.12	mt 6 ft 19.68	mt 8 ft 26.25	mt 10 ft 32.81		mt 2 ft 6.56	mt 4 ft 13.12	mt 6 ft 19.68	mt 8 ft 26.25	mt 10 ft 32.81
3000 K	31200	7800	3470	1950	1250	lux center (lx)	13600	3400	1520	850	550
	2900	725	322	181	116	foot candles (fc)	1264	316	140	79	51
4000 K	41200	10300	4580	2580	1650	lux center (lx)	18000	4500	2000	1130	720
	3830	957	425	240	153	foot candles (fc)	1673	418	186	105	67
5600 K	38800	9700	4320	2430	1560	lux center (lx)	16800	4200	1870	1050	675
	3606	901	401	225	144	foot candles (fc)	1561	390	173	98	62
	29	57	86	115	143	diameter (cm)	67	134	201	268	335
	0.94	1.88	2.82	3.76	4.70	diameter (ft)	2.2	4.39	6.59	8.78	10.98

PHOTOMETRIC DATA OPTICAL GROUP 15-30

BEAM ANGLE 15°

BEAM ANGLE 30°

	mt 2 ft 6.56	mt 4 ft 13.12	mt 6 ft 19.68	mt 8 ft 26.25	mt 10 ft 32.81		mt 2 ft 6.56	mt 4 ft 13.12	mt 6 ft 19.68	mt 8 ft 26.25	mt 10 ft 32.81
3000 K	15200	3800	1689	950	608	lux center (lx)	6400	1600	711	400	256
	1413	353	157	88	57	foot candles (fc)	595	149	66	37	24
4000 K	20400	5100	2267	1275	816	lux center (lx)	8400	2100	933	525	336
	1896	474	211	118	76	foot candles (fc)	781	195	87	49	31
5600 K	19200	4800	2133	1200	768	lux center (lx)	8000	2000	889	500	320
	1784	446	198	112	71	foot candles (fc)	743	186	83	46	30
	53	105	158	211	263	diameter (cm)	107	214	322	429	536
	1.73	3.46	5.18	6.91	8.64	diameter (ft)	3.52	7.03	10.55	14.07	17.58

PHOTOMETRIC DATA OPTICAL GROUP 25-50

BEAM ANGLE 21°

BEAM ANGLE 46°

	mt 2 ft 6.56	mt 4 ft 13.12	mt 6 ft 19.68	mt 8 ft 26.25	mt 10 ft 32.81		mt 2 ft 6.56	mt 4 ft 13.12	mt 6 ft 19.68	mt 8 ft 26.25	mt 10 ft 32.81	
3000 K	12000	3000	1333	750	480	lux center (lx)	3400	850	378	213	136	3000 K
	1115	279	124	70	45	foot candles (fc)	316	79	35	20	13	
4000 K	15000	3750	1667	938	600	lux center (lx)	4400	1100	489	275	176	4000 K
	1394	349	155	87	56	foot candles (fc)	409	102	45	26	16	
5600 K	14200	3550	1578	888	568	lux center (lx)	4200	1050	467	263	168	5600 K
	1320	330	147	82	53	foot candles (fc)	390	98	43	24	16	
	74	148	222	297	371	diameter (cm)	170	340	509	679	849	
	2.43	4.86	7.30	9.73	12.16	diameter (ft)	5.57	11.14	16.71	22.28	27.85	

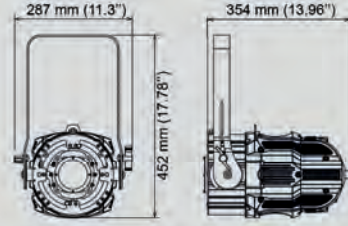
SOPRANO 3 HDW



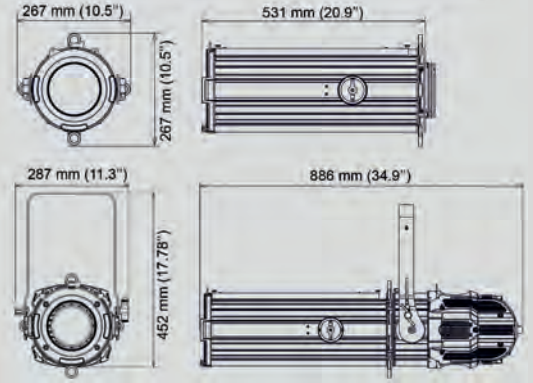
THE WHITE MANAGEMENT SYSTEM
BY DTS IN A CONVENTIONAL
ELLIPSOIDAL SPOTLIGHT



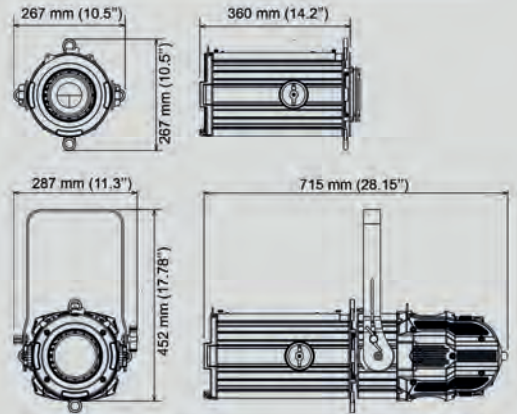
LED ENGINE



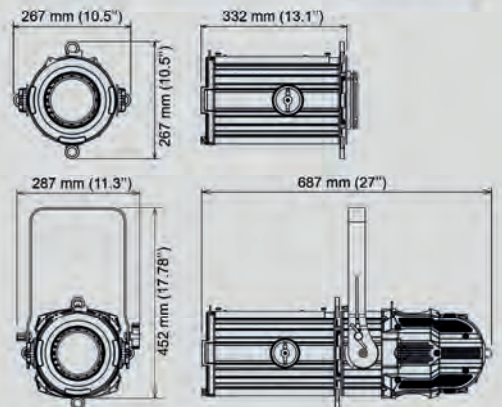
OPTICAL GROUP 8-20



OPTICAL GROUP 15-30



OPTICAL GROUP 25-50



FEATURES



OPTIONALS

CERTIFICATIONS



CODES

LED ENGINE - 03.TSP000.49

OPTICAL GROUPS

08-20 - 03.TSP902.49

15-30 - 03.TSP900.49

25-50 - 03.TSP901.49



TECHNICAL DATA

OUTPUT

- Multi chip LED Source
- Lumens output: 4,100 lm (Optical group 8-20)
- Lumens output: 5,100 lm (Optical group 15-30)
- Lumens output: 6,100 lm (Optical group 25-50)
- CRI: up to 98
- TLCI: up to 96
- LED Lifespan: 20,000 hours (70% lumen output)

OPTICAL GROUP

- Changeable optics (*Led engine and optical group are sold separately*)
- Optical Group 8-20 - 8° - 19° linear zoom
- Optical Group 15-30 - 15° - 30° linear zoom
- Optical Group 25-50 - 21° - 46° linear zoom

FRAMING SYSTEM

- Framing system composed of 4 symmetric blades
- *Blades are integrated in the optical group (not removable)*
- Blades operate on three discrete planes
- 64° full system rotation (+/- 32°)

GOBOS

- Ø external (ED): 80 mm + 0.2/-0.2 mm
- Ø of image (ID): 50 mm
- Thickness: from 0.2 to 1.5 mm

WHITE GENERATION

- 6-color LED engine
- Linear CCT (1800 K - 10000 K)
- Linear 'Green saturation'

DIMMER

- Hi-Q Dimming technology
- Tungsten Emulation function

CONTROL

- LCD graphic display + Jog Shuttle
- RDM/DMX 512 protocols
- 'Standard', 'Silent', 'Ultra Silent' and 'Automatic' fan modes
- Noise level - Standard: 24dBA @ 1m

- (normal operation, 100% power) - Silent: 23dBA @ 1m
- (normal operation, 100% power) - Ultra Silent: 22dBA @ 1m
- (normal operation, 91% power) - Automatic: fans adapt to operational status (output power priority)
- Firmware updatable via DTS firmware uploader dongle

DMX

- CCT (Default) - Dimmer 16 bit with Correlated color Temperature and Green saturation control
- Basic - Dimmer 8 bit with Correlated color Temperature control

POWER SUPPLY

- Wide range 100/240 Vac 50-60 Hz
- Power consumption: 190 W max / 230Vac
- Power Factor: PF >0.94

CONNECTIONS

- DMX: XLR 5 pole In/Out panel connectors
- Power supply: PowerCON TRUE1 In/Out panel connectors

CIRCUITS PROTECTIONS

- Overvoltage and overtemperature circuits protection

OPERATING TEMPERATURE

-10° / 45° C

STORAGE TEMPERATURE

-20° / 60° C

PHYSICAL

- IP20
- LED engine weight: - 6.8 Kg (15 lbs)
- Optical group weight: - 8-20: 7 Kg (15.4 lbs) - 15-30: 5.2 Kg (11.5 lbs) - 25-50: 5.9 Kg (13 lbs)
- Finishing: Black

ACCESSORIES INCLUDED

- 1 x PowerCON TRUE1 female cable connector (code 0520P066)
- 1 x XLR 5 pins female cable connector (code 0508B147)
- 1 x XLR 5 pins male cable connector (code 0508B148)
- 1 x FilterframeBlack finishing - already installed on the projector (code 02M093424.49)

ACCESSORIES ON REQUEST

- Gobo holder (code 03.TA229)
- Gobo + Soft Edge filter holder (03.TA230)
- Gobo2 + Frost filter holder (03.TA231)
- Indexable Gobo2 holder (03.TA232)
- Iris/Diaphragm (code 03.TA228)
- Barndoor 4 leaf Black finishing (code 03.TBD06.49)
- Barndoor 8 leaf Black finishing (code 03.TBD08.49)
- Outdoor DMX cable 2 x 0,25 mm2 - Flame retardant (code 0509C158)
- Aliscraf clamp for Ø 48-51 mm tube-max load 100 Kg (code 0521A033)
- Professional G-QUICK clamp - max load 100 Kg (code 0521A037)
- Safety cable 3 x 600 mm - BGV-C1 certified (code 0521A049)
 - Single stranded: Max 20 Kg (44 lbs)
 - Double stranded: Max 30 Kg (66 lbs)
- Safety cable for Barndoor / Filterframe - Ø 0,8mm (code 0521A048)
- DTS firmware uploader dongle (code 03.LA.206)

PHOTOMETRIC DATA OPTICAL GROUP 8-20

BEAM ANGLE 8°

BEAM ANGLE 19°

	mt 2 ft 6.56	mt 4 ft 13.12	mt 6 ft 19.68	mt 8 ft 26.25	mt 10 ft 32.81		mt 2 ft 6.56	mt 4 ft 13.12	mt 6 ft 19.68	mt 8 ft 26.25	mt 10 ft 32.81
3000 K	31200	7800	3470	1950	1250	lux center (lx)	13600	3400	1520	850	550
	2900	725	322	181	116	foot candles (fc)	1264	316	140	79	51
4000 K	41200	10300	4580	2580	1650	lux center (lx)	18000	4500	2000	1130	720
	3830	957	425	240	153	foot candles (fc)	1673	418	186	105	67
5600 K	38800	9700	4320	2430	1560	lux center (lx)	16800	4200	1870	1050	675
	3606	901	401	225	144	foot candles (fc)	1561	390	173	98	62
	29	57	86	115	143	diameter (cm)	67	134	201	268	335
	0.94	1.88	2.82	3.76	4.70	diameter (ft)	2.2	4.39	6.59	8.78	10.98

PHOTOMETRIC DATA OPTICAL GROUP 15-30

BEAM ANGLE 15°

BEAM ANGLE 30°

	mt 2 ft 6.56	mt 4 ft 13.12	mt 6 ft 19.68	mt 8 ft 26.25	mt 10 ft 32.81		mt 2 ft 6.56	mt 4 ft 13.12	mt 6 ft 19.68	mt 8 ft 26.25	mt 10 ft 32.81
3000 K	15200	3800	1689	950	608	lux center (lx)	6400	1600	711	400	256
	1413	353	157	88	57	foot candles (fc)	595	149	66	37	24
4000 K	20400	5100	2267	1275	816	lux center (lx)	8400	2100	933	525	336
	1896	474	211	118	76	foot candles (fc)	781	195	87	49	31
5600 K	19200	4800	2133	1200	768	lux center (lx)	8000	2000	889	500	320
	1784	446	198	112	71	foot candles (fc)	743	186	83	46	30
	53	105	158	211	263	diameter (cm)	107	214	322	429	536
	1.73	3.46	5.18	6.91	8.64	diameter (ft)	3.52	7.03	10.55	14.07	17.58

PHOTOMETRIC DATA OPTICAL GROUP 25-50

BEAM ANGLE 21°

BEAM ANGLE 46°

	mt 2 ft 6.56	mt 4 ft 13.12	mt 6 ft 19.68	mt 8 ft 26.25	mt 10 ft 32.81		mt 2 ft 6.56	mt 4 ft 13.12	mt 6 ft 19.68	mt 8 ft 26.25	mt 10 ft 32.81
3000 K	12000	3000	1333	750	480	lux center (lx)	3400	850	378	213	136
	1115	279	124	70	45	foot candles (fc)	316	79	35	20	13
4000 K	15000	3750	1667	938	600	lux center (lx)	4400	1100	489	275	176
	1394	349	155	87	56	foot candles (fc)	409	102	45	26	16
5600 K	14200	3550	1578	888	568	lux center (lx)	4200	1050	467	263	168
	1320	330	147	82	53	foot candles (fc)	390	98	43	24	16
	74	148	222	297	371	diameter (cm)	170	340	509	679	849
	2.43	4.86	7.30	9.73	12.16	diameter (ft)	5.57	11.14	16.71	22.28	27.85

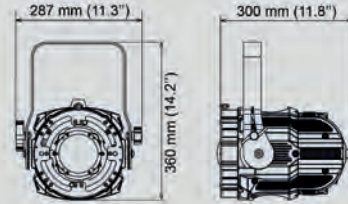
SOPRANO 3 WH



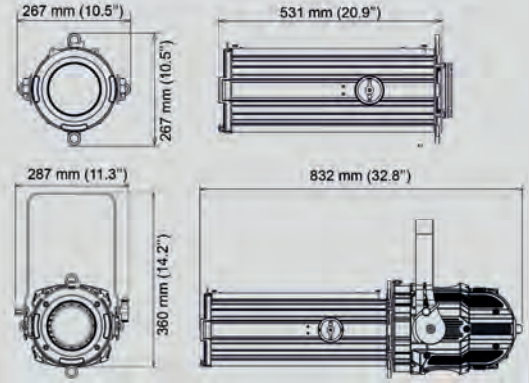
THE UN-CONVENTIONAL
ELLIPSOIDAL PROJECTOR WITH
WHITE SOURCE



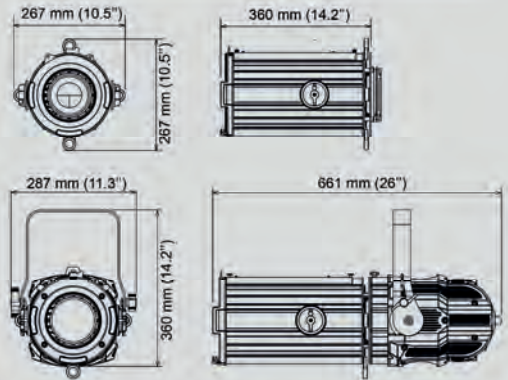
LED ENGINE



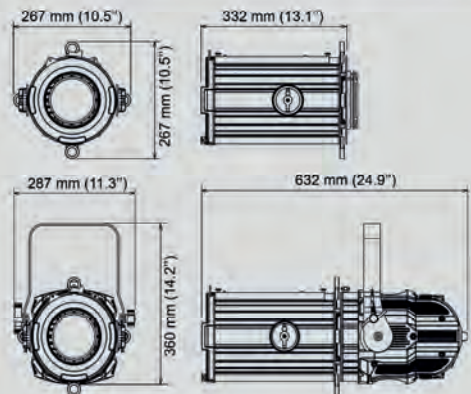
OPTICAL GROUP 8-20



OPTICAL GROUP 15-30



OPTICAL GROUP 25-50



FEATURES



OPTIONALS

CERTIFICATIONS



CODES

LED ENGINE

3000 K - 03.TSP002.49
4000 K - 03.TSP004.49
5700 K - 03.TSP003.49

OPTICAL GROUPS

08-20 - 03.TSP902.49
15-30 - 03.TSP900.49
25-50 - 03.TSP901.49



TECHNICAL DATA

OUTPUT

- Single white 3000 K LED source
 - Lumens Output: 4,100 lm (Optical group 8-20)
 - Lumens Output: 4,900 lm (Optical group 15-30)
 - Lumens Output: 5,800 lm (Optical group 25-50)
- CRI >95
- Single white 5700 K LED source
 - Lumens Output: 4,900 lm (Optical group 8-20)
 - Lumens Output: 5,700 lm (Optical group 15-30)
 - Lumens Output: 6,800 lm (Optical group 25-50)
- CRI >90
- Also available with 4000 K LED
 - Lumens Output: 4,500 lm (Optical group 8-20)
 - Lumens output: 5,300 lm (Optical group 15-30)
 - Lumens output: 6,100 lm (Optical group 25-50)
 - CRI: >95
- LED Lifespan: 20,000 hours (70% lumen output)

OPTICAL GROUP

- Changeable optics (*Led engine and optical group are sold separately*)
- Optical Group 8-20
 - 8°- 19° linear zoom
- Optical Group 15-30
 - 15°-30° linear zoom
- Optical Group 25-50
 - 21°-46° linear zoom

FRAMING SYSTEM

- Framing system composed of 4 symmetric blades
Blades are integrated in the optical group (not removable)
- Blades operate on three discrete planes
- 64° full system rotation (+/- 32°)

GOBOS

- Ø external (ED): 80 mm + 0.2/-0.2 mm
- Ø of image (ID): 50 mm
- Thickness: from 0.2 to 1.5 mm

DIMMER

- PWM Dimming technology

CONTROL

- LCD graphic display + Jog Shuttle
- RDM/DMX 512 protocols
- 'Standard', 'Silent', 'Ultra Silent' and 'Automatic' fan modes
- Noise level
 - Standard: 24dBA @ 1m (normal operation, 100% power)
 - Silent: 23dBA @ 1m (normal operation, 100% power)
 - Ultra Silent: 22dBA @ 1m (normal operation, 95% power)
- Automatic: fans adapt to operational status (output power priority)
- Firmware updatable via DTS firmware uploader dongle

DMX

- 4 DMX channels (Default)
 - Shutter, Dimmer 16bit and Fixture Control channel.
- 1DMX channel - Dimmer 8bit
- "Fine" mode - Dimmer 16bit

POWER SUPPLY

- Wide range 100/240 Vac 50-60 Hz
- Power consumption: 145 W max / 230Vac
- Power Factor: PF >0.95

CONNECTIONS

- DMX: XLR 5 pole In/Out panel connectors
- Power supply: PowerCON TRUE1 In/Out panel connectors

CIRCUITS PROTECTIONS

- Overvoltage and overtemperature circuits protection

OPERATING TEMPERATURE

-10° / 45° C

STORAGE TEMPERATURE

-20° / 60° C

PHYSICAL

- IP20
- LED engine weight:
 - 6.6 Kg (14.6 lbs)
- Optical group weight:
 - 8-20: 7 Kg (15.4 lbs)
 - 15-30: 5.2 Kg (11.5 lbs)
 - 25-50: 5.9 Kg (13 lbs)
- Finishing: Black

ACCESSORIES INCLUDED

- 1 x PowerCON TRUE1 female cable connector (code 0520P066)
- 1 x XLR 5 pins female cable connector (code 0508B147)
- 1 x XLR 5 pins male cable connector (code 0508B148)
- 1 x FilterframeBlack finishing - already installed on the projector (code 02M093424.49)

ACCESSORIES ON REQUEST

- Gobo holder (code 03.TA229)
- Gobo + Soft Edge filter holder (03.TA230)
- Gobo2 + Frost filter holder (03.TA231)
- Indexable Gobo2 holder (03.TA232)
- Iris/Diaphragm (code 03.TA228)
- Barndoor 4 leaf Black finishing (code 03.TBD06.49)
- Barndoor 8 leaf Black finishing (code 03.TBD08.49)
- Outdoor DMX cable 2 x 0,25 mm2 - Flame retardant (code 0509C158)
- Aliscraf clamp for Ø 48-51 mm tube-max load 100 Kg (code 0521A033)
- Professional G-QUICK clamp - max load 100 Kg (code 0521A037)
- Safety cable 3 x 600 mm - BGV-C1 certified (code 0521A049)
 - Single stranded: Max 20 Kg (44 lbs)
 - Double stranded: Max 30 Kg (66 lbs)
- Safety cable for Barndoor / Filterframe - Ø 0,8mm (code 0521A048)
- DTS firmware uploader dongle (code 03.LA.206)

PHOTOMETRIC DATA OPTICAL GROUP 8-20

BEAM ANGLE 8°

BEAM ANGLE 19°

	mt 2 ft 6.56	mt 4 ft 13.12	mt 6 ft 19.68	mt 8 ft 26.25	mt 10 ft 32.81		mt 2 ft 6.56	mt 4 ft 13.12	mt 6 ft 19.68	mt 8 ft 26.25	mt 10 ft 32.81
3000 K	34800	8700	3870	2180	1400	lux center (lx)	16800	4200	1870	1050	675
	3234	809	359	202	129	foot candles (fc)	1561	390	173	98	62
4000 K	38400	9600	4270	2400	1540	lux center (lx)	18400	4600	2050	1150	740
	3569	892	397	223	143	foot candles (fc)	1710	428	190	107	68
5700 K	40000	10000	4444	2500	1600	lux center (lx)	19600	4900	2180	1230	785
	3717	929	413	232	149	foot candles (fc)	1822	455	202	114	73
	29	57	86	115	143	diameter (cm)	67	134	201	268	335
	0.94	1.88	2.82	3.76	4.7	diameter (ft)	2.2	4.39	6.59	8.78	10.98

PHOTOMETRIC DATA OPTICAL GROUP 15-30

BEAM ANGLE 15°

BEAM ANGLE 30°

	mt 2 ft 6.56	mt 4 ft 13.12	mt 6 ft 19.68	mt 8 ft 26.25	mt 10 ft 32.81		mt 2 ft 6.56	mt 4 ft 13.12	mt 6 ft 19.68	mt 8 ft 26.25	mt 10 ft 32.81
3000 K	22680	5670	2520	1418	907	lux center (lx)	7920	1980	880	495	317
	2108	527	234	132	84	foot candles (fc)	736	184	82	46	29
4000 K	24600	6150	2740	1540	985	lux center (lx)	8600	2150	960	540	345
	2286	572	254	143	91	foot candles (fc)	799	200	89	50	32
5700 K	25200	6300	2800	1575	1008	lux center (lx)	9120	2280	1013	570	365
	2342	586	260	146	94	foot candles (fc)	848	212	94	53	34
	53	105	158	211	263	diameter (cm)	107	214	322	429	536
	1.73	3.46	5.18	6.91	8.64	diameter (ft)	3.52	7.03	10.55	14.07	17.58

PHOTOMETRIC DATA OPTICAL GROUP 25-50

BEAM ANGLE 21°

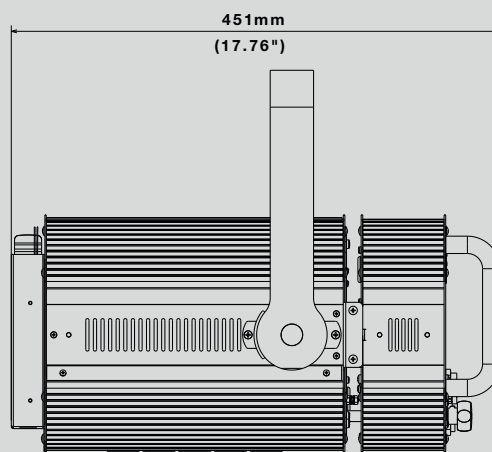
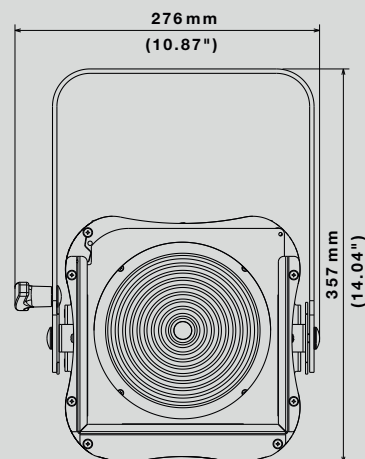
BEAM ANGLE 46°

	mt 2 ft 6.56	mt 4 ft 13.12	mt 6 ft 19.68	mt 8 ft 26.25	mt 10 ft 32.81		mt 2 ft 6.56	mt 4 ft 13.12	mt 6 ft 19.68	mt 8 ft 26.25	mt 10 ft 32.81	
3000 K	14880	3720	1653	930	595	lux center (lx)	3880	970	431	243	155	3000 K
	1383	346	154	86	55	foot candles (fc)	361	90	40	23	14	
4000 K	16400	4100	1830	1030	660	lux center (lx)	4000	1000	445	250	160	4000 K
	1524	381	169	95	61	foot candles (fc)	372	93	41	23	15	
5700 K	18400	4600	2044	1150	736	lux center (lx)	4420	1105	491	276	177	5700 K
	1710	428	190	107	68	foot candles (fc)	411	103	46	26	16	
	74	148	222	297	371	diameter (cm)	170	340	509	679	849	
	2.43	4.86	7.30	9.73	12.16	diameter (ft)	5.57	11.14	16.71	22.28	27.85	

SCENA LED 200 FC



THE THEATRE LED PROJECTOR
WITH FRESNEL LENS AND COLOR
MIXING



FEATURES



OPTIONALS

CERTIFICATIONS



CODES

LINEAR ZOOM - 03.TS054.46.F

MOTORIZED ZOOM - 03.TS054.46.F



TECHNICAL DATA

OUTPUT

- Single high-power 4-colors LED
- Lumen output (RGBW): up to 4,975
- Cold White CRI up to 90
- LED lifespan: 50,000 hours (70% lumen output)

OPTICAL GROUP

- Ø 150 mm Fresnel lens
- Zoom
- 14° - 60° manual linear zoom version
- 14° - 60° motorized linear zoom version

COLOR GENERATION

- 28 gel filters macros
- Wide palette of pure uniform whites
- Variable linear color temperature (2700 K – 8000 K)

CONTROL

- DMX 512 / RDM or Manual control
- Multi-function 4-digit 7-segment LED display + 4 soft keys
- Firmware updatable via DTS firmware uploader dongle

DMX

- 10 DMX channels (default)
- 4 DMX channels
- 6 DMX channels
- "Fine" mode

POWER SUPPLY

- Electronic Wide-range 100-240Vac 50-60 Hz;
- Power consumption: 200 W max
- Power Factor: PF >0.94

CONNECTIONS

- Power supply: PowerCON TRUE1 In/Out panel connectors
- DMX: XLR 5-pole In/Out panel connectors

CIRCUITS PROTECTIONS

- Overvoltage and overtemperature circuits protection

OPERATING TEMPERATURE

-10° / 40° C

PHYSICAL

- IP20
- Weight: 9.4 Kg (20.7 lbs)
- Finishing: Black

ACCESSORIES INCLUDED

- 1 x PowerCON TRUE1 female cable connector (code 0520P066)
- 1 x XLR 5 pins female cable connector (code 0508B147)
- 1 x XLR 5 pins male cable connector (code 0508B148)
- 1 x Filterframe Black finishing - already installed on the projector (code 02M093278.49)

ACCESSORIES ON REQUEST

- Barndoor Black finishing (code 03.TBD04)
- Universal Hook Clamp - Max load 40 Kg - 88 lbs (code 0521A047)
- Outdoor DMX cable 2 x 0,25 mm² - Flame retardant (code 0509C158)
- Flightcase for 6 units (code 0521C075)
- Safety cable - 3 x 600 mm - max. capacity load 30 Kg (code 0521A010)
- DTS firmware uploader dongle (code 03.LA.206)

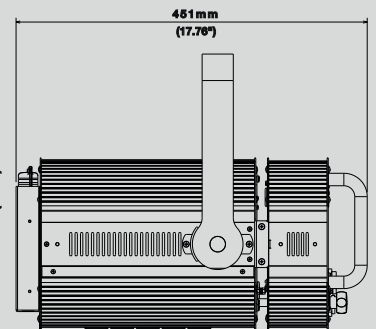
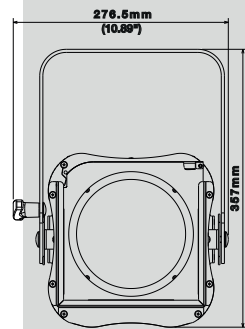
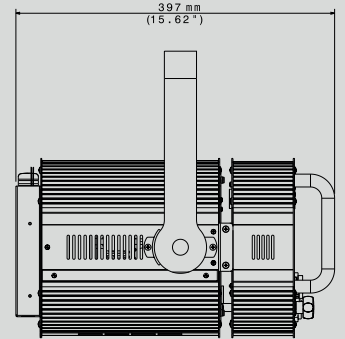
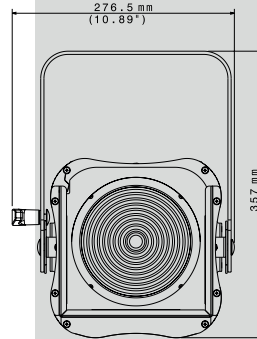
PHOTOMETRIC DATA

	mt 2 ft 6.56	mt 4 ft 13.12	mt 6 ft 19.68	mt 8 ft 26.25	mt 10 ft 32.81	
BEAM ANGLE 14° @ 50%	lux center (lx)	15744	3936	1749	984	630
	foot candles (fc)	1463	366	163	91	59
	diameter (cm)	49	98	147	196	246
	diameter (ft)	1.61	3.22	4.83	6.45	8.06
BEAM ANGLE 60° @ 10%	mt 2 ft 6.56	mt 4 ft 13.12	mt 6 ft 19.68	mt 8 ft 26.25	mt 10 ft 32.81	
	lux center (lx)	4081	1020	453	255	163
	foot candles (fc)	379	95	42	24	15
	diameter (cm)	231	462	693	924	1155
diameter (ft)	7.58	15.15	22.73	30.31	37.88	

SCENA LED 200



THE THEATRE WHITE LED PROJECTOR AVAILABLE WITH FRESNEL OR ANTIHALO LENS



FEATURES



OPTIONALS

MOTORIZED ZOOM VERSION - ON DEMAND

CERTIFICATIONS



CODES

SCENA LED 200 - FRESNEL LENS

3200 K - 03.TS046.46.F
 4000 K - 03.TS048.46.F
 5600 K - 03.TS064.46.F

SCENA LED 200 - PC - ANTIHALO LENS

3200 K - 03.TS046.46.A
 4000 K - 03.TS048.46.A
 5600 K - 03.TS064.46.A



TECHNICAL DATA

OUTPUT

- Single high-power White 3200 K LED
- Lumen output: up to 5,950
- CRI > 95
- Also available with 4000K and 5600K LEDs
- LED lifespan: 50,000 hours (70% lumen output)

OPTICAL GROUP

- Ø 150 mm Fresnel lens or Antihalo (PC) lens
- Linear zoom
 - 6.5° - 70° with Fresnel lens
 - 6.4° - 64° with PC lens

CONTROL

- DMX 512 / RDM or Manual control
- Multi-function 4-digit 7-segment LED display + 4 soft keys
- Firmware updatable via DTS firmware uploader dongle

DMX

- 4 DMX channels (default)
- 1 DMX channel
- "Fine" mode

POWER SUPPLY

- Electronic Wide-range 100-240Vac 50-60 Hz;
- Power consumption: 200 W max
- Power Factor: PF >0.94

CONNECTIONS

- Power supply: PowerCON TRUE1 In/Out panel connectors
- DMX: XLR 5-pole In/Out panel connectors

CIRCUITS PROTECTIONS

- Overvoltage and overtemperature circuits protection

OPERATING TEMPERATURE

-10° / 40° C

PHYSICAL

- IP20
- Weight:
 - FR - 8.5 Kg (18.5 lbs)
 - PC - 9.5 Kg (21 lbs)
- Finishing: Black

ACCESSORIES INCLUDED

- 1 x PowerCON TRUE1 female cable connector (code 0520P066)
- 1 x XLR 5 pins female cable connector (code 0508B147)
- 1 x XLR 5 pins male cable connector (code 0508B148)
- 1 x Filterframe Black finishing - already installed on the projector (code 02M093278.49)

ACCESSORIES ON REQUEST

- Barndoor Black finishing (code 03.TBD04)
- Universal Hook Clamp - Max load 40 Kg - 88 lbs (code 0521A047)
- Outdoor DMX cable 2 x 0,25 mm² - Flame retardant (code 0509C158)
- Flightcase for 6 units (code 0521C075)
- Safety cable - 3 x 600 mm - max. capacity load 30 Kg (code 0521A010)
- DTS firmware uploader dongle (code 03.LA.206)

PHOTOMETRIC DATA FRESNEL LENS

BEAM ANGLE 6.5° - @ 50%

BEAM ANGLE 70° - @ 10%

	mt 2 ft 6.56	mt 4 ft 13.12	mt 6 ft 19.68	mt 8 ft 26.25	mt 10 ft 32.81		mt 2 ft 6.56	mt 4 ft 13.12	mt 6 ft 19.68	mt 8 ft 26.25	mt 10 ft 32.81
3200 K	29375	7344	3264	1836	1175	lux center (lx)	2400	600	267	150	96
	2730	683	303	171	109	foot candles (fc)	223	56	25	14	9
4000 K	35663	8916	3963	2229	1427	lux center (lx)	2813	703	313	176	113
	3314	829	368	207	133	foot candles (fc)	261	65	29	16	10
5600 K	34788	8697	3865	2174	1392	lux center (lx)	2720	680	302	170	109
	3233	808	359	202	129	foot candles (fc)	253	63	28	16	10
	23	45	68	91	114	diameter (cm)	280	560	840	1120	1400
	0.75	1.49	2.24	2.98	3.73	diameter (ft)	9.19	18.38	27.57	36.76	45.94

PHOTOMETRIC DATA ANTIHALO LENS

BEAM ANGLE 6.4° - @ 50%

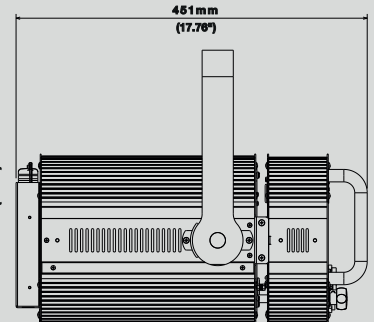
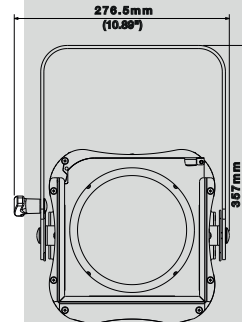
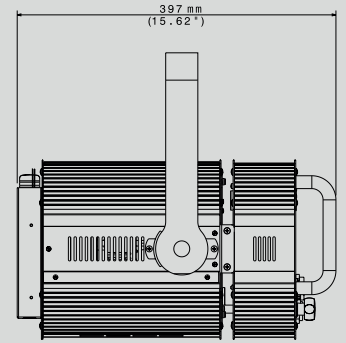
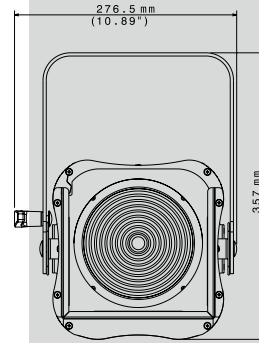
BEAM ANGLE 64° - @ 10%

	mt 2 ft 6.56	mt 4 ft 13.12	mt 6 ft 19.68	mt 8 ft 26.25	mt 10 ft 32.81		mt 2 ft 6.56	mt 4 ft 13.12	mt 6 ft 19.68	mt 8 ft 26.25	mt 10 ft 32.81
3200 K	34538	8634	3838	2159	1382	lux center (lx)	2119	530	235	132	85
	3210	802	357	201	128	foot candles (fc)	197	49	22	12	8
4000 K	48569	12142	5397	3036	1943	lux center (lx)	2856	714	317	179	114
	4514	1128	502	282	181	foot candles (fc)	265	66	29	17	11
5600 K	41056	10264	4562	2566	1642	lux center (lx)	2450	613	272	153	98
	3816	954	424	238	153	foot candles (fc)	228	57	25	14	9
	22	45	67	89	112	diameter (cm)	250	500	750	1000	1250
	0.73	1.47	2.20	2.93	3.67	diameter (ft)	8.20	16.40	24.60	32.80	41.00

SCENA LED 200 CT



THE THEATRE LED PROJECTOR
WITH SELECTABLE COLOR
TEMPERATURE



FEATURES



OPTIONALS

MOTORIZED ZOOM VERSION - ON DEMAND

CERTIFICATIONS



CODES

FRESNEL LENS - 03.TS051.46.F

ANTIHALO LENS - 03.TS051.46.A



TECHNICAL DATA

OUTPUT

- Single high-power White with linearly tunable color temperature (2700 K - 6500 K)
- Lumen output: up to 5,613
- CRI > 90
- LED lifespan: 50,000 hours (70% lumen output)

OPTICAL GROUP

- Ø 150 mm Fresnel lens
- Linear zoom
 - 6.5° - 70° with Fresnel lens
 - 6.4° - 64° with PC lens

CONTROL

- DMX 512 / RDM or Manual control
- Multi-function 4-digit 7-segment LED display + 4 soft keys
- Firmware updatable via DTS firmware uploader dongle

DMX

- 7 DMX channels (default)
- 2 DMX channels
- "CTC" mode

POWER SUPPLY

- Electronic Wide-range 100-240Vac 50-60 Hz;
- Power consumption: 200 W max
- Power Factor: PF >0.94

CONNECTIONS

- Power supply: PowerCON TRUE1 In/Out panel connectors
- DMX: XLR 5-pole In/Out panel connectors

CIRCUITS PROTECTIONS

- Overvoltage and overtemperature circuits protection

OPERATING TEMPERATURE

-10° / 40° C

PHYSICAL

- IP20
- Weight:
 - FR - 8.6 Kg (19 lbs)
 - PC - 9.5 Kg (21 lbs) Finishing: Black
- Finishing: Black

ACCESSORIES INCLUDED

- 1 x PowerCON TRUE1 female cable connector (code 0520P066)
- 1 x XLR 5 pins female cable connector (code 0508B147)
- 1 x XLR 5 pins male cable connector (code 0508B148)
- 1 x Filterframe Black finishing - already installed on the projector (code 02M093278.49)

ACCESSORIES ON REQUEST

- Barndoor Black finishing (code 03.TBD04)
- Universal Hook Clamp - Max load 40 Kg - 88 lbs (code 0521A047)
- Outdoor DMX cable 2 x 0,25 mm² - Flame retardant (code 0509C158)
- Flightcase for 6 units (code 0521C075)
- Safety cable - 3 x 600 mm - max. capacity load 30 Kg (code 0521A010)
- DTS firmware uploader dongle (code 03.LA.206)

PHOTOMETRIC DATA FRESNEL LENS

	mt 2 ft 6.56	mt 4 ft 13.12	mt 6 ft 19.68	mt 8 ft 26.25	mt 10 ft 32.81	
BEAM ANGLE 6.5° @ 50%	lux center (lx)	25000	6250	2778	1563	1000
	foot candles (fc)	2323	581	258	145	93
	diameter (cm)	23	45	68	91	114
	diameter (ft)	0.75	1.49	2.24	2.98	3.73
BEAM ANGLE 70° @ 10%	mt 2 ft 6.56	mt 4 ft 13.12	mt 6 ft 19.68	mt 8 ft 26.25	mt 10 ft 32.81	
	lux center (lx)	1888	472	210	118	76
	foot candles (fc)	175	44	19	11	7
	diameter (cm)	280	560	840	1120	1400
diameter (ft)	9.19	18.38	27.57	36.76	45.94	

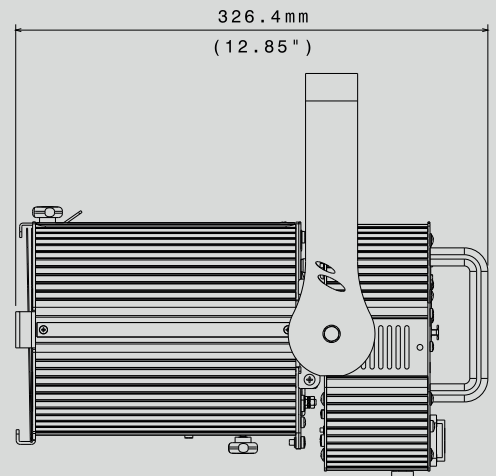
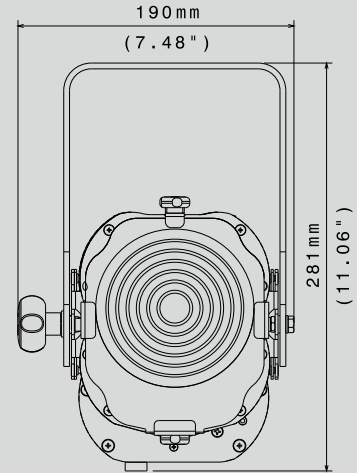
PHOTOMETRIC DATA ANTIHALO LENS

	mt 2 ft 6.56	mt 4 ft 13.12	mt 6 ft 19.68	mt 8 ft 26.25	mt 10 ft 32.81	
BEAM ANGLE 6.4° @ 50%	lux center (lx)	34538	8634	3838	2159	1382
	foot candles (fc)	3210	802	357	201	128
	diameter (cm)	22	45	67	89	112
	diameter (ft)	0.73	1.47	2.20	2.93	3.67
BEAM ANGLE 64° @ 10%	mt 2 ft 6.56	mt 4 ft 13.12	mt 6 ft 19.68	mt 8 ft 26.25	mt 10 ft 32.81	
	lux center (lx)	2119	530	235	132	85
	foot candles (fc)	197	49	22	12	8
	diameter (cm)	250	500	750	1000	1250
diameter (ft)	8.20	16.40	24.60	32.80	41.00	

SCENA LED 120 HQS



THE THEATRE LED PROJECTOR
WITH AN UNLIMITED COLOR
PALETTE



FEATURES



OPTIONALS

CERTIFICATIONS



CODE

03.TS081.46.F



TECHNICAL DATA

OUTPUT

- Single 4-color (RGBA) LED
- Lumen output: up to 2,720
- CRI > 90
- LED lifespan: 50,000 hours (70% lumen output)

OPTICAL GROUP

- Ø 112 mm Fresnel lens
- 20° - 74° linear zoom

COLOR GENERATION

- 16 million colors
- Wide palette of pure uniform whites
- Variable linear color temperature (2700 K – 8000 K)

DIMMER

Hi-Q Dimming technology

CONTROL

- DMX 512 / RDM protocols
- Multi-function 4-digit 7-segment LED display + 4 soft keys
- Firmware updatable via DTS firmware uploader dongle

DMX

- 10 DMX channels (default)
- 4 DMX channels
- 6 DMX channels
- "Fine" mode
- "Prom" mode

POWER SUPPLY

- Electronic Wide-range 100-240Vac 50-60 Hz;
- Power consumption: 120 W max
- Power Factor: PF >0.95

CONNECTIONS

- Power supply: PowerCON TRUE1 In/Out panel connectors
- DMX: XLR 5-pole In/Out panel connectors

CIRCUITS PROTECTIONS

- Overvoltage and overtemperature circuits protection

OPERATING TEMPERATURE

-10° / 40° C

PHYSICAL

- IP20
- Weight: 4.5 Kg (9.9 lbs)
- Finishing: Black

ACCESSORIES INCLUDED

- 1 x Cable with PowerCON TRUE1 female connector (code 02K0012267.0015)
- 1 x FilterframeBlack finishing - already installed on the projector (code 02M00422.46)

ACCESSORIES ON REQUEST

- Barndoor Black finishing (code 03.TA206)
- Universal Hook Clamp - Max load 40 Kg - 88 lbs (code 0521A047)
- Outdoor DMX cable 2 x 0,25 mm² - Flame retardant (code 0509C158)
- Safety cable - 3 x 600 mm - max. capacity load 30 Kg (code 0521A010)
- DTS firmware uploader dongle (code 03.LA.206)

PHOTOMETRIC DATA

		mt 2 ft 6.56	mt 4 ft 13.12	mt 6 ft 19.68	mt 8 ft 26.25	mt 10 ft 32.81	
BEAM ANGLE 20° - @ 50%	COLORS (Full power)	lux center (lx)	3375	844	375	211	135
		foot candles (fc)	314	78	35	20	13
	3200 K	lux center (lx)	2025	506	225	127	81
		foot candles (fc)	188	47	21	12	8
	4000 K	lux center (lx)	2273	568	253	142	91
		foot candles (fc)	211	53	23	13	8
	5600 K	lux center (lx)	2475	619	275	155	99
		foot candles (fc)	230	58	26	14	9
		diameter (cm)	71	141	212	282	353
		diameter (ft)	2.31	4.63	6.94	9.26	11.57

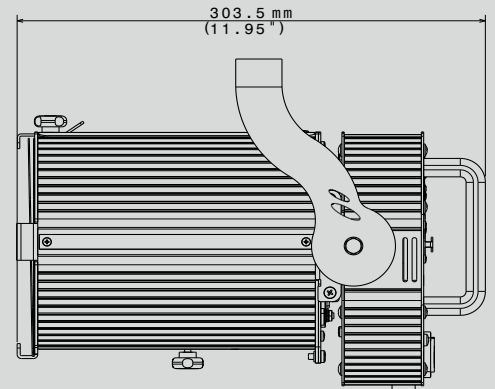
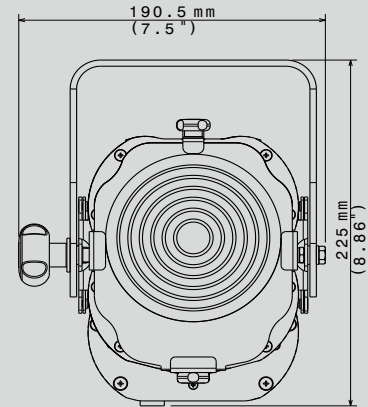
		mt 2 ft 6.56	mt 4 ft 13.12	mt 6 ft 19.68	mt 8 ft 26.25	mt 10 ft 32.81	
BEAM ANGLE 74° - @ 10%	COLORS (Full power)	lux center (lx)	855	214	95	53	34
		foot candles (fc)	79	20	9	5	3
	3200 K	lux center (lx)	506	127	56	32	20
		foot candles (fc)	47	12	12	3	2
	4000 K	lux center (lx)	540	135	60	34	22
		foot candles (fc)	50	13	6	3	2
	5600 K	lux center (lx)	608	152	68	38	24
		foot candles (fc)	56	14	6	4	2
		diameter (cm)	301	603	904	1206	1507
		diameter (ft)	9.89	19.78	29.67	39.56	49.45

CONVENTIONAL PROJECTORS

SCENA LED 80



THE SMART REPLACEMENT OF THE
CONVENTIONAL THEATRE LIGHTS
WITH RAIL-MOUNTING OPTIONAL



FEATURES



OPTIONALS

MOTORIZED ZOOM VERSION - ON DEMAND
ANTIHALO LENS VERSION - ON DEMAND

CERTIFICATIONS



CODES

FRESNEL 3000 K - 03.TS031.46.F
FRESNEL 4000 K - 03.TS032.46.F
FRESNEL 5000 K - 03.TS033.46.F



TECHNICAL DATA

OUTPUT

- Single White 3000 K LED source
- Lumen output (3000 K): up to 6,923 lm
- CRI > 90
- Also available with 4000 K and 5000 K LED
- LED lifespan: 50,000 hours (70% lumen output)

OPTICAL GROUP

- Ø 112 mm Fresnel lens
- 14° - 77° linear zoom

CONTROL

- DMX 512 / RDM or Manual control
- Multi-function 4-digit 7-segment LED display + 4 soft keys
- Firmware updatable via DTS firmware uploader dongle

DMX

- 2 DMX channels (default)
- 3 DMX channels
- 1 DMX channel

POWER SUPPLY

- Electronic Wide-range 100-240Vac 50-60 Hz;
- Power consumption: 100 W max
- Power Factor: PF >0.95

CONNECTIONS

- Power supply: PowerCON In/Out panel connectors
- DMX: XLR 5-pole In/Out panel connectors

CIRCUITS PROTECTIONS

- Overvoltage and overtemperature circuits protection

OPERATING TEMPERATURE

-10° / 40° C

PHYSICAL

- IP20
- Weight: 4.2 Kg (9.3 lbs)
- Finishing: Black

ACCESSORIES INCLUDED

- 1 x PowerCON female cable connector (code 0520P014)
- 1 x XLR 5 pins female cable connector (code 0508B027)
- 1 x XLR 5 pins male cable connector (code 0508B028)
- 1 x Filterframe Black finishing - already installed on the projector (code 02M00422.46)

ACCESSORIES ON REQUEST

- Barndoor Black finishing (code 03.TA206)
- Universal Hook Clamp - Max load 40 Kg - 88 lbs (code 0521A047)
- Outdoor DMX cable 2 x 0,25 mm² - Flame retardant (code 0509C158)
- Safety cable - 3 x 600 mm - max. capacity load 30 Kg (code 0521A010)
- DTS firmware uploader dongle (code 03.LA.206)

ACCESSORIES FOR ELECTRIFIED RAIL MOUNTING

- Track adapter - black finishing (code 03.LA.235)

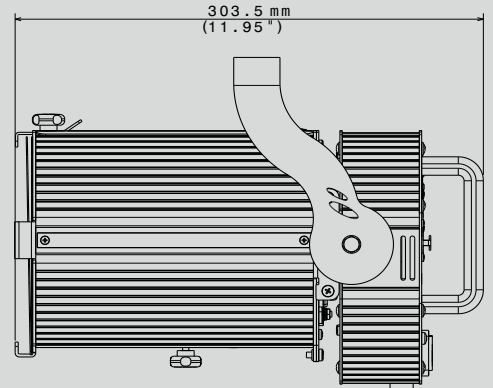
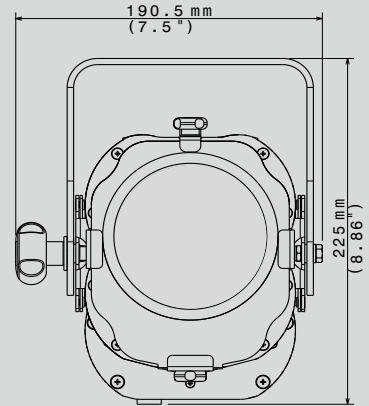
PHOTOMETRIC DATA

		mt 2 ft 6.56	mt 4 ft 13.12	mt 6 ft 19.68	mt 8 ft 26.25	mt 10 ft 32.81	
BEAM ANGLE 14° - @ 50%	3000 K	lux center (lx)	7145	1786	794	447	286
		foot candles (fc)	664	166	74	42	27
	4000 K	lux center (lx)	8146	2037	905	509	326
		foot candles (fc)	757	189	84	47	30
	5000 K	lux center (lx)	8146	2037	905	509	326
		foot candles (fc)	757	189	84	47	30
		diameter (cm)	49	98	147	196	246
		diameter (ft)	1.61	3.22	4.83	6.45	8.06
			mt 2 ft 6.56	mt 4 ft 13.12	mt 6 ft 19.68	mt 8 ft 26.25	mt 10 ft 32.81
	BEAM ANGLE 77° - @ 10%	3000 K	lux center (lx)	1399	350	155	87
foot candles (fc)			130	33	14	8	5
4000 K		lux center (lx)	1653	413	184	103	66
		foot candles (fc)	154	38	17	10	6
5000 K		lux center (lx)	1653	413	184	103	66
		foot candles (fc)	154	38	17	10	6
		diameter (cm)	318	636	955	1273	1591
		diameter (ft)	10.44	20.88	31.32	41.75	52.19

SCENA LED 80 PC



THE SMART REPLACEMENT OF THE
CONVENTIONAL THEATRE LIGHTS
WITH RAIL-MOUNTING OPTIONAL



FEATURES



OPTIONALS

CERTIFICATIONS



CODES

ANTIHALO 3000 K - 03.TS031.46.A
ANTIHALO 4000 K - 03.TS032.46.A
ANTIHALO 5000 K - 03.TS033.46.A



TECHNICAL DATA

OUTPUT

- Single White 3000 K LED source
- CRI > 90
- Also available with 4000 K and 5000 K LED
- LED lifespan: 50,000 hours (70% lumen output)

OPTICAL GROUP

- Ø 90 mm Fresnel lens
- 10° - 76° linear zoom

CONTROL

- DMX 512 / RDM or Manual control
- Multi-function 4-digit 7-segment LED display + 4 soft keys
- Firmware updatable via DTS firmware uploader dongle

DMX

- 2 DMX channels (default)
- 3 DMX channels
- 1 DMX channel

POWER SUPPLY

- Electronic Wide-range 100-240Vac 50-60 Hz;
- Power consumption: 100 W max
- Power Factor: PF >0.95

CONNECTIONS

- Power supply: PowerCON In/Out panel connectors
- DMX: XLR 5-pole In/Out panel connectors

CIRCUITS PROTECTIONS

- Overvoltage and overtemperature circuits protection

OPERATING TEMPERATURE

-10° / 40° C

PHYSICAL

- IP20
- Weight: 4.2 Kg (9.3 lbs)
- Finishing: Black

ACCESSORIES INCLUDED

- 1 x PowerCON female cable connector (code 0520P014)
- 1 x XLR 5 pins female cable connector (code 0508B027)
- 1 x XLR 5 pins male cable connector (code 0508B028)
- 1 x Filterframe Black finishing - already installed on the projector (code 02M00422.46)

ACCESSORIES ON REQUEST

- Barndoor Black finishing (code 03.TA206)
- Universal Hook Clamp - Max load 40 Kg - 88 lbs (code 0521A047)
- Outdoor DMX cable 2 x 0,25 mm² - Flame retardant (code 0509C158)
- Safety cable - 3 x 600 mm - max. capacity load 30 Kg (code 0521A010)
- DTS firmware uploader dongle (code 03.LA.206)

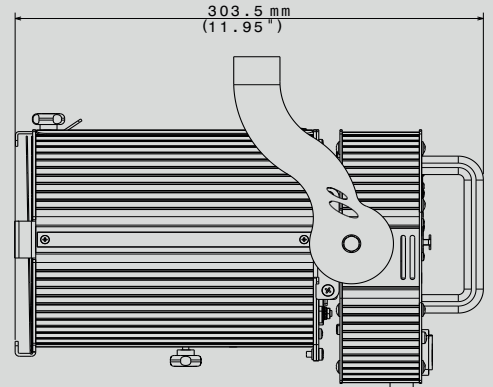
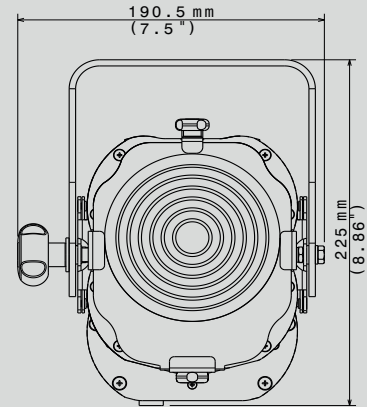
ACCESSORIES FOR ELECTRIFIED RAIL MOUNTING

- Track adapter - black finishing (code 03.LA.235)

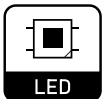
SCENA LED 80 CT



THE SMART THEATRE LIGHTS WITH
SELECTABLE COLOR TEMPERATURE.
RAIL-MOUNTING ADAPTOR AVAILABLE



FEATURES



LED



CT

Tunable



IP

IP20



RDM/DMX



-10° +40°

OPTIONALS

MOTORIZED ZOOM VERSION - ON DEMAND

CERTIFICATIONS



CODE

03.TS047.46.F



TECHNICAL DATA

OUTPUT

- Single White LED source with linearly tunable color temperature (2700 K - 6000 K)
- Lumen output: up to 5,400
- CRI > 80
- LED lifespan: 50,000 hours (70% lumen output)

OPTICAL GROUP

- Ø 112 mm Fresnel lens
- 14° - 77° linear zoom

CONTROL

- DMX 512 / RDM or Manual control
- Multi-function 4-digit 7-segment LED display + 4 soft keys
- Firmware updatable via DTS firmware uploader dongle

DMX

- 7 DMX channels (default)
- 2 DMX channels
- "CTC" mode

POWER SUPPLY

- Electronic Wide-range 100-240Vac 50-60 Hz;
- Power consumption: 100 W max
- Power Factor: PF >0.95

CONNECTIONS

- Power supply: PowerCON In/Out panel connectors
- DMX: XLR 5-pole In/Out panel connectors

CIRCUITS PROTECTIONS

- Overvoltage and overtemperature circuits protection

OPERATING TEMPERATURE

-10° / 40° C

PHYSICAL

- IP20
- Weight: 4 Kg (8.8 lbs)
- Finishing: Black

ACCESSORIES INCLUDED

- 1 x PowerCON female cable connector (code 0520P014)
- 1 x XLR 5 pins female cable connector (code 0508B027)
- 1 x XLR 5 pins male cable connector (code 0508B028)
- 1 x Filterframe Black finishing - already installed on the projector (code 02M00422.46)

ACCESSORIES ON REQUEST

- Barndoor Black finishing (code 03.TA206)
- Universal Hook Clamp - Max load 40 Kg - 88 lbs (code 0521A047)
- Outdoor DMX cable 2 x 0,25 mm² - Flame retardant (code 0509C158)
- Safety cable - 3 x 600 mm - max. capacity load 30 Kg (code 0521A010)
- DTS firmware uploader dongle (code 03.LA.206)

ACCESSORIES FOR ELECTRIFIED RAIL MOUNTING

- Track adapter - black finishing (code 03.LA.235)

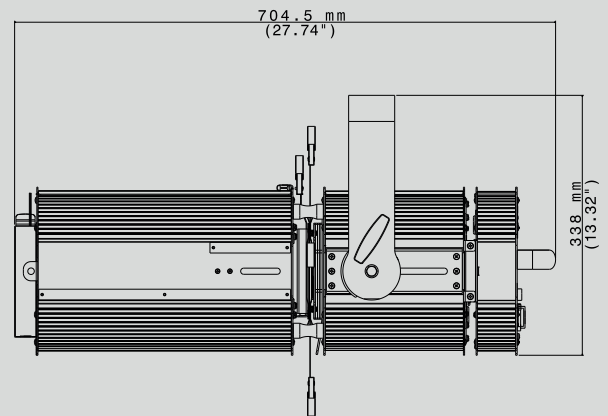
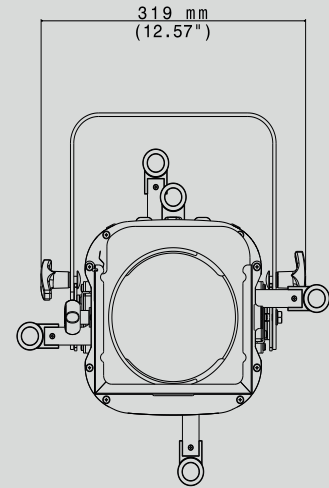
PHOTOMETRIC DATA

	mt 2 ft 6.56	mt 4 ft 13.12	mt 6 ft 19.68	mt 8 ft 26.25	mt 10 ft 32.81	
BEAM ANGLE 14° @ 50%	lux center (lx)	9094	2273	1010	568	364
	foot candles (fc)	845	211	94	53	34
	diameter (cm)	49	98	147	196	246
	diameter (ft)	1.61	3.22	4.83	6.45	8.06
BEAM ANGLE 77° @ 10%	lux center (lx)	1500	375	167	94	60
	foot candles (fc)	139	35	15	9	6
	diameter (cm)	318	636	955	1273	1591
	diameter (ft)	10.44	20.88	31.32	41.75	52.19

PROFILO LED 200 FC



THE HIGH-POWER ALTERNATIVE TO
CONVENTIONAL PROFILERS WITH
RGBW COLOR MIXING



FEATURES



OPTIONALS

CERTIFICATIONS



CODE

03.TP038.46



TECHNICAL DATA

OUTPUT

- Single high-power 200 W Full Color (RGBW) LED with Cold White 5600 K
- Cold White CRI > 90
- LED lifespan: 50,000 hours (70% lumen output)

OPTICAL GROUP

- 19° - 41° linear zoom
- High definition zoom lens with double optical condenser lens

FRAMING SYSTEM

- Framing system composed of 4 asymmetric blades
- Each blade can be inverted
- 70° full system rotation (+/- 35°)
- Blades operate on three discrete planes
- A 5th blade can be added

COLOR GENERATION

- 28 Gel Filters Macros
- Wide palette of pure uniform whites
- Variable linear color temperature (2700 K – 8000 K)

GOBOS

- Ø external: 86 mm
- Ø of image: 60 mm
- Thickness: from 0.2 to 2 mm

CONTROL

- DMX 512 / RDM or Manual control
- Multi-function 4-digit 7-segment LED display + 4 soft keys
- Firmware updatable via DTS firmware uploader dongle

DMX

- 10 DMX channels (default)
- 4 DMX channels
- 6 DMX channels
- "Fine" mode

POWER SUPPLY

- Electronic Wide-range 100-240Vac 50-60 Hz;
- Power consumption: 200 W max
- Power Factor: PF >0.94

CONNECTIONS

- Power supply: PowerCON TRUE1 In/Out panel connectors
- DMX: XLR 5-pole In/Out panel connectors

CIRCUITS PROTECTIONS

- Overvoltage and overtemperature circuits protection

OPERATING TEMPERATURE

-10° / 40° C

PHYSICAL

- IP20
- Internal system with four removable shutters
- Yoke featuring an exclusive sliding system with clutch for a wider tilt
- Weight: 16.95 Kg (37.4 lbs)
- Finishing: Black

ACCESSORIES INCLUDED

ON BOARD

- 1 x Soft edge filter assembly (code 02TP0047)
- 1 x Filterframe Black finishing (code 02M00420.49)

IN THE BOX

- 1 x PowerCON TRUE1 female cable connector (code 0520P066)
- 1 x XLR 5 pins female cable connector (code 0508B147)
- 1 x XLR 5 pins male cable connector (code 0508B148)
- 4 x Shutter blades assembly (single blade code 02SK0429)

ACCESSORIES ON REQUEST

- 5th shutter blade (code 02SK0429)
- Iris/Diaphragm (code 03.TA225)
- Gobo holder (code 03.TA226)
- Outdoor DMX cable 2 x 0,25 mm² - Flame retardant (code 0509C158)
- Universal Hook Clamp - Max load 40 Kg - 88 lbs (code 0521A047)
- Safety cable - 3 x 600 mm - max. capacity load 30 Kg (code 0521A010)
- DTS firmware uploader dongle (code 03.LA.206)

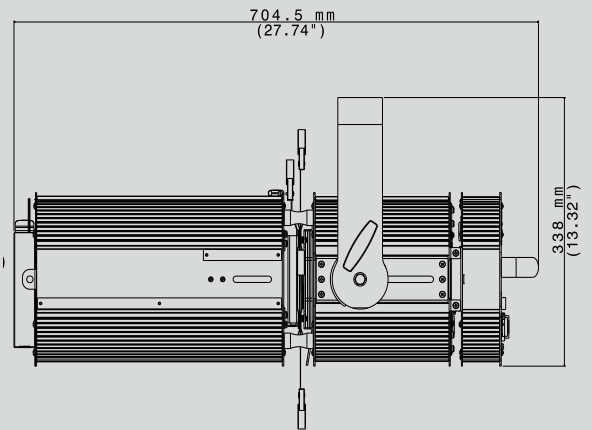
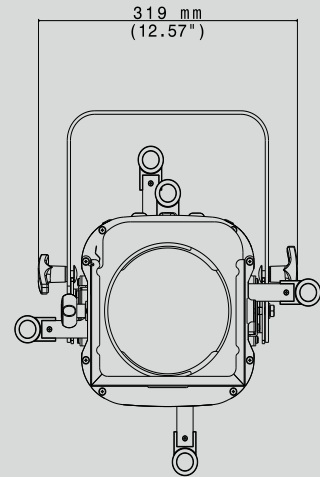
PHOTOMETRIC DATA

	mt 2 ft 6.56	mt 4 ft 13.12	mt 6 ft 19.68	mt 8 ft 26.25	mt 10 ft 32.81	
BEAM ANGLE 19°	lux center (lx)	11147	2787	1239	697	446
	foot candles (fc)	1036	259	115	65	41
	diameter (cm)	67	134	201	268	335
	diameter (ft)	2.20	4.39	6.59	8.78	10.98
BEAM ANGLE 41°	mt 2 ft 6.56	mt 4 ft 13.12	mt 6 ft 19.68	mt 8 ft 26.25	mt 10 ft 32.81	
	lux center (lx)	3031	758	337	189	121
	foot candles (fc)	282	70	31	18	11
	diameter (cm)	150	299	449	598	748
diameter (ft)	4.91	9.81	14.72	19.63	24.53	

PROFILO LED 200



THE HIGH-POWER VERSATILE
ALTERNATIVE TO CONVENTIONAL
PROFILERS



FEATURES



OPTIONALS

CERTIFICATIONS



CODES

3200 K - 03.TP035.46
4000 K - 03.TP036.46
5600 K - 03.TP037.46



TECHNICAL DATA

OUTPUT

- Single high-power 200 W white LED (3200 K)
- CRI > 95
- Also available with 4000 K or 5600 K LED (CRI > 90)
- LED lifespan: 50,000 hours (70% lumen output)

OPTICAL GROUP

- 15.5° - 38° linear zoom
- High definition zoom lens with double optical condenser lens

FRAMING SYSTEM

- Framing system composed of 4 asymmetric blades
- Each blade can be inverted
- 70° full system rotation (+/- 35°)
- Blades operate on three discrete planes
- A 5th blade can be added

GOBOS

- Ø external: 86 mm
- Ø of image: 60 mm
- Thickness: from 0.2 to 2 mm

CONTROL

- DMX 512 / RDM or Manual control
- Multi-function 4-digit 7-segment LED display + 4 soft keys
- Firmware updatable via DTS firmware uploader dongle

DMX

- 4 DMX channels (default)
- 1 DMX channel
- "Fine" mode

POWER SUPPLY

- Electronic Wide-range 100-240Vac 50-60 Hz;
- Power consumption: 200 W max
- Power Factor: PF >0.94

CONNECTIONS

- Power supply: PowerCON TRUE1 In/Out panel connectors
- DMX: XLR 5-pole In/Out panel connectors

CIRCUITS PROTECTIONS

- Overvoltage and overtemperature circuits protection

OPERATING TEMPERATURE

-10° / 40° C

PHYSICAL

- IP20
- Internal system with four removable shutters
- Yoke featuring an exclusive sliding system with clutch for a wider tilt
- Weight: 16.9 Kg (37.3 lbs)
- Finishing: Black

ACCESSORIES INCLUDED

ON BOARD

- 1 x Soft edge filter assembly (code 02TP0047)
- 1 x Filterframe Black finishing (code 02M00420.49)

IN THE BOX

- 1 x PowerCON TRUE1 female cable connector (code 0520P066)
- 1 x XLR 5 pins female cable connector (code 0508B147)
- 1 x XLR 5 pins male cable connector (code 0508B148)
- 4 x Shutter blades assembly (single blade code 02SK0429)

ACCESSORIES ON REQUEST

- 5th shutter blade (code 02SK0429)
- Iris/Diaphragm (code 03.TA225)
- Gobo holder (code 03.TA226)
- Outdoor DMX cable 2 x 0,25 mm² - Flame retardant (code 0509C158)
- Universal Hook Clamp - Max load 40 Kg - 88 lbs (code 0521A047)
- Safety cable - 3 x 600 mm - max. capacity load 30 Kg (code 0521A010)
- DTS firmware uploader dongle (code 03.LA.206)

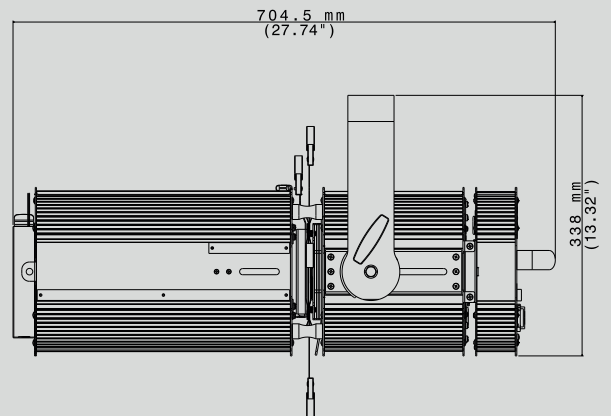
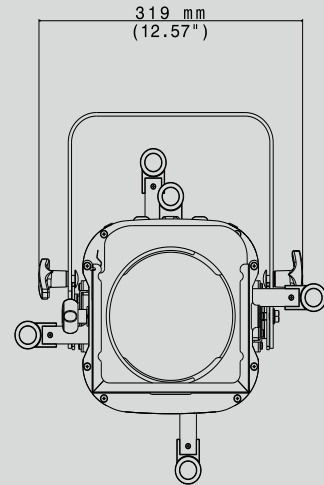
PHOTOMETRIC DATA

		mt 2 ft 6.56	mt 4 ft 13.12	mt 6 ft 19.68	mt 8 ft 26.25	mt 10 ft 32.81	
BEAM ANGLE 15.5°	3200 K	lux center (lx)	24869	6217	2763	1554	995
		foot candles fc	2311	578	257	144	92
	4000 K	lux center (lx)	32382	8096	3598	2024	1295
		foot candles fc	3009	752	334	188	120
	5600 K	lux center (lx)	36448	9112	4050	2278	326
		foot candles fc	3387	847	376	212	30
diameter (cm)		54	109	163	218	272	
diameter (ft)		1.79	3.57	5.36	7.14	8.93	
BEAM ANGLE 38°	3200 K	lux center (lx)	5614	1403	624	351	225
		foot candles fc	522	130	58	33	21
	4000 K	lux center (lx)	6863	1716	763	429	275
		foot candles fc	638	159	71	40	26
	5600 K	lux center (lx)	7774	1943	864	486	311
		foot candles fc	722	181	80	45	29
		diameter (cm)	138	275	413	551	689
		diameter (ft)	4.52	9.04	13.56	18.07	22.59

PROFILO LED 200 CT



THE HIGH-POWER ALTERNATIVE TO CONVENTIONAL PROFILERS WITH SELECTABLE COLOR TEMPERATURE



FEATURES



OPTIONALS

CERTIFICATIONS



CODE

03.TP039.46



TECHNICAL DATA

OUTPUT

- Single high-power 200 W white LED with linearly tunable color temperature
- (2700 K - 6500 K)
- CRI > 90
- LED lifespan: 50,000 hours (70% lumen output)

OPTICAL GROUP

- 15.5° - 38° linear zoom
- High definition zoom lens with double optical condenser lens

FRAMING SYSTEM

- Framing system composed of 4 asymmetric blades
- Each blade can be inverted
- 70° full system rotation (+/- 35°)
- Blades operate on three discrete planes
- A 5th blade can be added

GOBOS

- Ø external: 86 mm
- Ø of image: 60 mm
- Thickness: from 0.2 to 2 mm

CONTROL

- DMX 512 / RDM or Manual control
- Multi-function 4-digit 7-segment LED display + 4 soft keys
- Firmware updatable via DTS firmware uploader dongle

DMX

- 7 DMX channels (default)
- 2 DMX channel
- "CTC" mode

POWER SUPPLY

- Electronic Wide-range 100-240Vac 50-60 Hz;
- Power consumption: 200 W max
- Power Factor: PF >0.94

CONNECTIONS

- Power supply: PowerCON TRUE1 In/Out panel connectors
- DMX: XLR 5-pole In/Out panel connectors

CIRCUITS PROTECTIONS

- Overvoltage and overtemperature circuits protection

OPERATING TEMPERATURE

-10° / 40° C

PHYSICAL

- IP20
- Internal system with four removable shutters
- Yoke featuring an exclusive sliding system with clutch for a wider tilt
- Weight: 16.85 Kg (37.15 lbs)
- Finishing: Black

ACCESSORIES INCLUDED

ON BOARD

- 1 x Soft edge filter assembly (code 02TP0047)
- 1 x Filterframe Black finishing (code 02M00420.49)

IN THE BOX

- 1 x PowerCON TRUE1 female cable connector (code 0520P066)
- 1 x XLR 5 pins female cable connector (code 0508B147)
- 1 x XLR 5 pins male cable connector (code 0508B148)
- 4 x Shutter blades assembly (single blade code 02SK0429)

ACCESSORIES ON REQUEST

- 5th shutter blade (code 02SK0429)
- Iris/Diaphragm (code 03.TA225)
- Gobo holder (code 03.TA226)
- Outdoor DMX cable 2 x 0,25 mm² - Flame retardant (code 0509C158)
- Universal Hook Clamp - Max load 40 Kg - 88 lbs (code 0521A047)
- Safety cable - 3 x 600 mm - max. capacity load 30 Kg (code 0521A010)
- DTS firmware uploader dongle (code 03.LA.206)

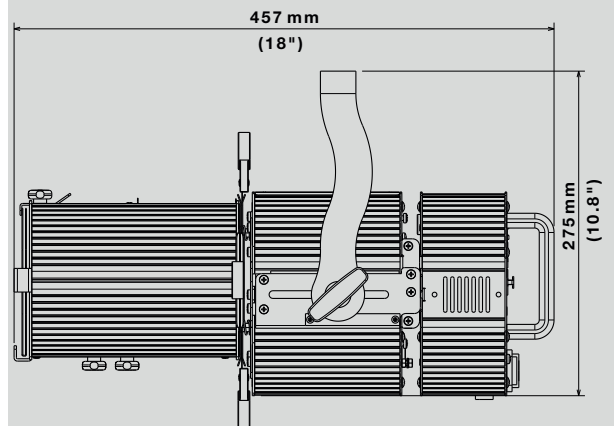
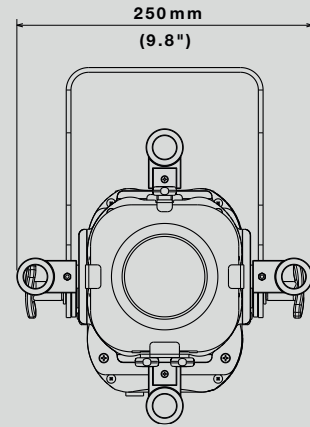
PHOTOMETRIC DATA

	mt 2 ft 6.56	mt 4 ft 13.12	mt 6 ft 19.68	mt 8 ft 26.25	mt 10 ft 32.81	
BEAM ANGLE 15.5°	lux center (lx)	25900	6475	2878	1619	1036
	foot candles (fc)	2407	602	267	150	96
	diameter (cm)	54	109	163	218	272
	diameter (ft)	1.79	3.57	5.36	7.14	8.93
BEAM ANGLE 38°	mt 2 ft 6.56	mt 4 ft 13.12	mt 6 ft 19.68	mt 8 ft 26.25	mt 10 ft 32.81	
	lux center (lx)	5551	1388	617	347	222
	foot candles (fc)	516	129	57	32	21
	diameter (cm)	138	275	413	551	689
diameter (ft)	4.52	9.04	13.56	18.07	22.59	

PROFILO LED 120 HQS



THE LED-BASE PROFILE WITH AN UNLIMITED COLOR PALETTE



FEATURES



OPTIONALS

CERTIFICATIONS



CODE

03.TP050.46



TECHNICAL DATA

OUTPUT

- Single 4-color LED source
- LED lifespan: 50,000 hours (70% lumen output)

OPTICAL GROUP

- 20° - 38° linear zoom
- High definition zoom lens with double optical condenser lens

COLOR GENERATION

- 16 million colors
- Wide palette of pure uniform whites
- Variable linear color temperature (2700 K – 8000 K)

GOBOS

- Gobo type M
- Ø external: 66 mm
- Ø of image: 48 mm
- Thickness: from 0.2 to 3 mm

DIMMER

- Hi-Q Dimming technology

CONTROL

- DMX 512 / RDM control
- Multi-function 4-digit 7-segment LED display + 4 soft keys
- Firmware updatable via DTS firmware uploader dongle

DMX

- 10 DMX channels (default)
- 4 DMX channels
- 6 DMX channels
- "Fine" mode
- "Prom" mode

POWER SUPPLY

- Electronic Wide-range 100-240Vac 50-60 Hz;
- Power consumption: 120 W max
- Power Factor: PF >0.95

CONNECTIONS

- Power supply: PowerCON TRUE1 In/Out panel connectors
- DMX: XLR 5-pole In/Out panel connectors

CIRCUITS PROTECTIONS

- Overvoltage and overtemperature circuits protection

OPERATING TEMPERATURE

-10° / 40° C

PHYSICAL

- IP20
- Weight: 6.3 Kg (13.9 lbs)
- Finishing: Black

ACCESSORIES INCLUDED

- 1 x Cable with PowerCON TRUE1 female connector (code 02K0012267.0015)
- 1 x FilterframeBlack finishing - already installed on the projector (code 02M00422.46)
- 1 x Soften filter 10° (code 02SK0464)
- 4 x Shutter blades (single blade code 02SK0335)

ACCESSORIES ON REQUEST

- Gobo holder (code 03.TA224)
- Iris/diaphragm (code 03.TA223)
- Outdoor DMX cable 2 x 0,25 mm² - Flame retardant (code 0509C158)
- Universal Hook Clamp - Max load 40 Kg - 88 lbs (code 0521A047)
- Safety cable - 3 x 600 mm - max. capacity load 30 Kg (code 0521A010)
- DTS firmware uploader dongle (code 03.LA.206)

PHOTOMETRIC DATA

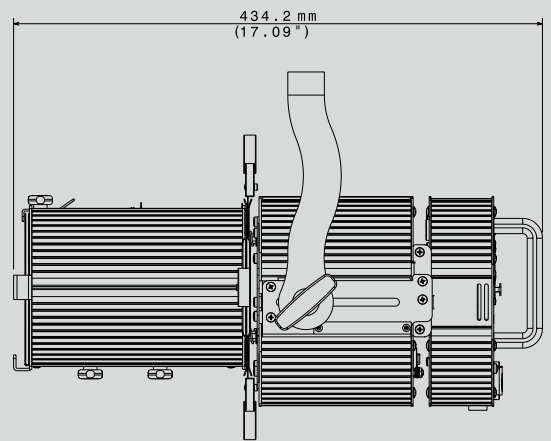
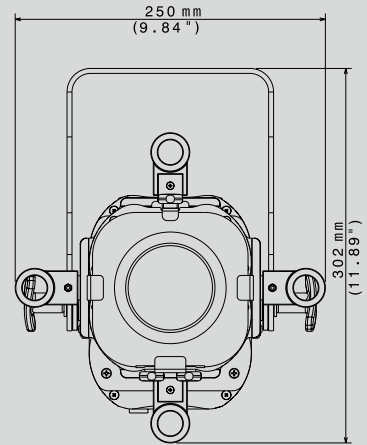
		mt 2 ft 6.56	mt 4 ft 13.12	mt 6 ft 19.68	mt 8 ft 26.25	mt 10 ft 32.81		
BEAM ANGLE 20°	COLORS (Full power)	lux center (lx)	4613	1153	513	288	185	
		foot candles (fc)	429	107	48	27	17	
	3200 K	lux center (lx)	2700	675	300	169	108	
		foot candles (fc)	251	63	28	16	10	
	4000 K	lux center (lx)	3150	788	350	197	126	
		foot candles (fc)	293	73	33	18	12	
	5600 K	lux center (lx)	3375	844	375	211	135	
		foot candles (fc)	314	78	35	20	13	
			diameter (cm)	71	141	212	282	353
			diameter (ft)	2.31	4.63	6.94	9.26	11.57

		mt 2 ft 6.56	mt 4 ft 13.12	mt 6 ft 19.68	mt 8 ft 26.25	mt 10 ft 32.81		
BEAM ANGLE 38°	COLORS (Full power)	lux center (lx)	1688	422	188	106	68	
		foot candles (fc)	157	39	17	10	6	
	3200 K	lux center (lx)	1080	270	120	68	43	
		foot candles (fc)	100	25	11	6	4	
	4000 K	lux center (lx)	1193	298	133	75	48	
		foot candles (fc)	111	28	12	7	4	
	5600 K	lux center (lx)	1283	321	143	80	51	
		foot candles (fc)	119	30	13	7	5	
			diameter (cm)	138	275	413	551	689
			diameter (ft)	4.52	9.04	13.56	18.07	22.59

PROFILO LED 80



THE SMART LED-BASED PROFILE
AVAILABLE ALSO WITH RAIL-
MOUNTING ADAPTOR



FEATURES



OPTIONALS

CERTIFICATIONS



CODES

3000 K - 03.TP022.46

4000 K - 03.TP023.46

5000 K - 03.TP024.46

TECHNICAL DATA

OUTPUT

- Single White 3000 K LED source
- CRI > 90
- Also available with 4000 K and 5000 K LED
- LED lifespan: 50,000 hours (70% lumen output)

OPTICAL GROUP

- 20° - 36° linear zoom
- High definition zoom lens with double optical condenser lens

GOBOS

- Gobo type M
- Ø external: 66 mm
- Ø of image: 48 mm
- Thickness: from 0.2 to 3 mm

CONTROL

- DMX 512 / RDM or Manual control
- Multi-function 4-digit 7-segment LED display + 4 soft keys
- Firmware updatable via DTS firmware uploader dongle

DMX

- 2 DMX channels (default)
- 3 DMX channels
- 1 DMX channel

POWER SUPPLY

- Electronic Wide-range 100-240Vac 50-60 Hz;
- Power consumption: 100 W max
- Power Factor: PF >0.95

CONNECTIONS

- Power supply: PowerCON In/Out panel connectors
- DMX: XLR 5-pole In/Out panel connectors

CIRCUITS PROTECTIONS

- Overvoltage and overtemperature circuits protection

OPERATING TEMPERATURE

-10° / 40° C

PHYSICAL

- IP20
- Internal system with four removable shutters
- Yoke featuring an exclusive round flange + clutch system
- Weight: 6.3 Kg (13.9 lbs)
- Finishing: Black

ACCESSORIES INCLUDED

- 1 x PowerCON female cable connector (code 0520P014)
- 1 x XLR 5 pins male cable connector (code 0508B028)
- 1 x XLR 5 pins female cable connector (code 0508B027)
- 1 x Filterframe - Black finish - already mounted on the unit (code 02M00426.46)
- 4 x Shutter blades (single blade code 02SK0335)

ACCESSORIES ON REQUEST

- Gobo holder (code 03.TA224)
- Iris/diaphragm (code 03.TA223)
- Outdoor DMX cable 2 x 0,25 mm² - Flame retardant (code 0509C158)
- Universal Hook Clamp - Max load 40 Kg - 88 lbs (code 0521A047)
- Safety cable - 3 x 600 mm - max. capacity load 30 Kg (code 0521A010)
- DTS firmware uploader dongle (code 03.LA.206)

ACCESSORIES FOR ELECTRIFIED RAIL MOUNTING

- Track adapter - black finishing (code 03.LA.235)

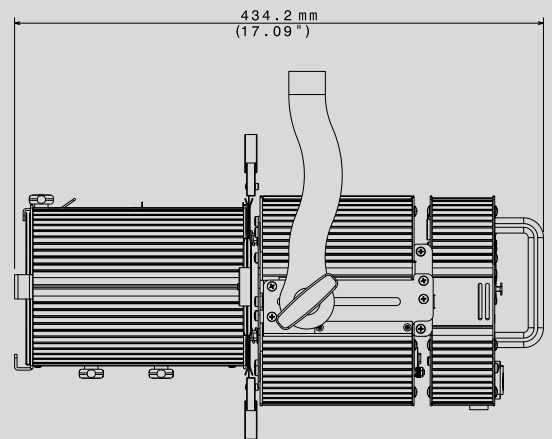
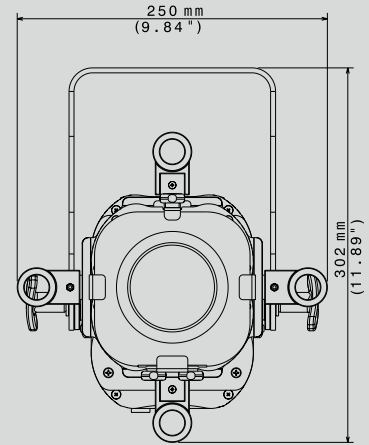
PHOTOMETRIC DATA

		mt 2 ft 6.56	mt 4 ft 13.12	mt 6 ft 19.68	mt 8 ft 26.25	mt 10 ft 32.81	
BEAM ANGLE 20°	3000 K	lux center (lx)	6552	1638	728	410	262
		foot candles fc	609	152	68	38	24
	4000 K	lux center (lx)	7445	1861	827	465	298
		foot candles fc	692	173	77	43	28
	5000 K	lux center (lx)	7445	1861	827	465	298
		foot candles fc	692	173	77	43	28
		diameter (cm)	71	141	212	282	353
		diameter (ft)	2.31	4.63	6.94	9.26	11.57
		mt 2 ft 6.56	mt 4 ft 13.12	mt 6 ft 19.68	mt 8 ft 26.25	mt 10 ft 32.81	
BEAM ANGLE 36°	3000 K	lux center (lx)	4528	1132	503	283	181
		foot candles fc	421	105	47	26	17
	4000 K	lux center (lx)	5470	1368	608	342	219
		foot candles fc	508	127	56	32	20
	5000 K	lux center (lx)	5470	1368	608	342	219
		foot candles fc	508	127	56	32	20
		diameter (cm)	130	260	390	520	650
		diameter (ft)	4.26	8.53	12.79	17.06	21.32

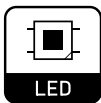
PROFILO LED 80 CT



THE SMART PROFILE WITH
SELECTABLE COLOR TEMPERATURE.
RAIL-MOUNTING ADAPTOR AVAILABLE



FEATURES



OPTIONALS

CERTIFICATIONS



CODE

03.TP033.46



TECHNICAL DATA

OUTPUT

- Single White LED source with linearly tunable color temperature (2700 K - 6000 K)
- CRI > 80
- LED lifespan: 50,000 hours (70% lumen output)

OPTICAL GROUP

- 20° - 36° linear zoom
- High definition zoom lens with double optical condenser lens

GOBOS

- Gobo type M
- Ø external: 66 mm
- Ø of image: 48 mm
- Thickness: from 0.2 to 3 mm

CONTROL

- DMX 512 / RDM or Manual control
- Multi-function 4-digit 7-segment LED display + 4 soft keys
- Firmware updatable via DTS firmware uploader dongle

DMX

- 7 DMX channels (default)
- 2 DMX channels
- "CTC" mode

POWER SUPPLY

- Electronic Wide-range 100-240Vac 50-60 Hz;
- Power consumption: 100 W max
- Power Factor: PF >0.95

CONNECTIONS

- Power supply: PowerCON In/Out panel connectors
- DMX: XLR 5-pole In/Out panel connectors

CIRCUITS PROTECTIONS

- Overvoltage and overtemperature circuits protection

OPERATING TEMPERATURE

-10° / 40° C

PHYSICAL

- IP20
- Internal system with four removable shutters
- Yoke featuring an exclusive round flange + clutch system
- Weight: 6.3 Kg (13.9 lbs)
- Finishing: Black

ACCESSORIES INCLUDED

- 1 x PowerCON female cable connector (code 0520P014)
- 1 x XLR 5 pins male cable connector (code 0508B028)
- 1 x XLR 5 pins female cable connector (code 0508B027)
- 1 x Filterframe - Black finish - already mounted on the unit (code 02M00426.46)
- 4 x Shutter blades (single blade code 02SK0335)

ACCESSORIES ON REQUEST

- Gobo holder (code 03.TA224)
- Iris/diaphragm (code 03.TA223)
- Outdoor DMX cable 2 x 0,25 mm² - Flame retardant (code 0509C158)
- Universal Hook Clamp - Max load 40 Kg - 88 lbs (code 0521A047)
- Safety cable - 3 x 600 mm - max. capacity load 30 Kg (code 0521A010)
- DTS firmware uploader dongle (code 03.LA.206)

ACCESSORIES FOR ELECTRIFIED RAIL MOUNTING

- Track adapter - black finishing (code 03.LA.235)

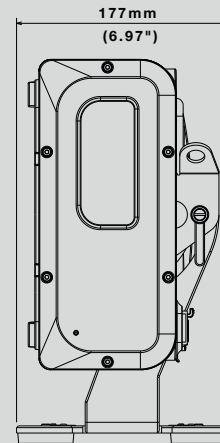
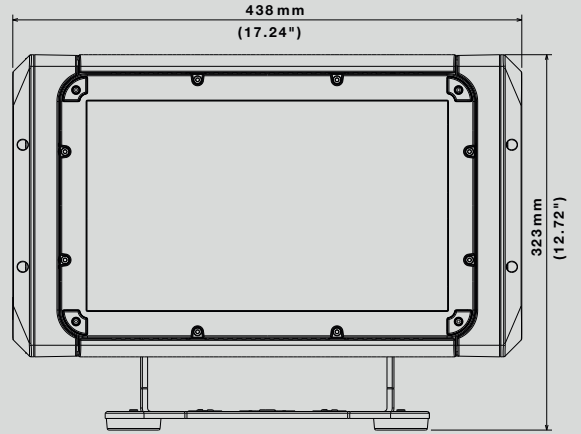
PHOTOMETRIC DATA

	mt 2 ft 6.56	mt 4 ft 13.12	mt 6 ft 19.68	mt 8 ft 26.25	mt 10 ft 32.81	
BEAM ANGLE 20°	lux center (lx)	6360	1590	707	398	254
	foot candles (fc)	591	148	66	37	24
	diameter (cm)	71	141	212	282	353
	diameter (ft)	2.31	4.63	6.94	9.26	11.57
BEAM ANGLE 36°	mt 2 ft 6.56	mt 4 ft 13.12	mt 6 ft 19.68	mt 8 ft 26.25	mt 10 ft 32.81	
	lux center (lx)	3944	986	438	247	158
	foot candles (fc)	367	92	41	23	15
	diameter (cm)	130	260	390	520	650
diameter (ft)	4.26	8.53	12.79	17.06	21.32	

X BRICK



HIGH POWER, COMPACT, SELF-CONTAINED IP65 LED WASH LIGHT, WITH INTERCHANGEABLE PROJECTION ANGLES



FEATURES

LED	FC Full Color	IP IP65	RDM/DMX	wireless DMX	°C -20° +40°
-----	------------------	------------	---------	--------------	-----------------

OPTIONALS



CERTIFICATIONS



CODE

03.LDB130S11FC



TECHNICAL DATA

OUTPUT

- 32 OSTAR STAGE "N" Full Color (RGBW) LEDs
- 15,300 lumens output
- LED lifespan: 50,000 hours (70% lumen output)

OPTICAL GROUP

- 8° projection angle
- Range of quick-mounting holographic filters included: 20° / 40° / 60°x10° (no mounting tools required)
- Uniform projection on surfaces

COLOR GENERATION

- 16 million colors
- Wide palette of pure uniform whites
- Variable linear color temperature (2700 K – 8000 K)
- 16 gel filter emulations

CONTROL

- DMX 512 / RDM control
- Wireless DMX transmitter - receiver (built-in)
- LCD display + 4 capacitive touch keys
- Internal operating system updatable via DTS dongle firmware uploader

DMX - 9 DMX modes

- DMX FULL OPERATION MODES
 1. Chase mode (default)
 2. Extended mode
 3. Sectors RGBW x4
 4. Sectors RGBW fine x4
 5. Sectors RGBW + Shut + Dim x4
- DMX SINGLE LAYER MODES (compatibility with all BRICK models)
 6. Standard
 7. Global RGBW
 8. Global RGBW + Shut + Dim
 9. Global RGBW + Dim Fine

POWER SUPPLY

- Built-in full-range PSU 100-240Vac 50-60 Hz
- Power consumption: 650 W
- Power Factor: PF > 0.93

CONNECTIONS

- All connectors are IP65 rated with water-proof caps
- Power supply: PowerCON TRUE1 In/Out panel connectors
- DMX In/Out: XLR 5-pole In/Out panel connectors

INTERNAL SAFETY DEVICES

- Overvoltage and overtemperature circuits protection

OPERATING TEMPERATURE

-20° / 40° C

PHYSICAL

- IP65
- Weight: 14 Kg (31 lbs)
- Finishing: Black

ACCESSORIES INCLUDED

- 1 x Holographic filter 20° (code 0506A043.D18)
- 1 x Holographic filter 40° (code 0506A045.D18)
- 1 x Holographic filter 60°x10° (code 0506A092.D18)
- 1 x cable with PowerCON TRUE1 female connector (code 02K0012267.0015)
- 1 x XLR 5-pole IP65 female cable connector (code 0508B177)
- 1 x XLR 5-pole IP65 male cable connector (code 0508B178)
- 1 x Display UV protection (code 03.LA.218)
- 1 x Omega bracket with "Fast Lock" connection 1/4 turn (code 02K00467)

ACCESSORIES ON REQUEST

- Holographic filter (complete list in the accessories section)
- Barndoor black finishing (code 03.LA.237.11)
- Visor black finishing (code 03.LA.236.11)
- Aliscap clamp for tube diameter 48-51 mm - max. load. 200 Kg (code 0521A033)
- G-QUICK clamp professional - max. load 100 Kg (code 0521A037)
- G60 "C" Clamp - Max load 50 Kg (code 0521A004)
- Flightcase for 4 units (code 0521C076)
- Outdoor DMX cable 2 x 0,25 mm² - Flame retardant (code 0509C158)
- Safety cable 5 x 600 mm - Max load 60 Kg (code 0521A038)
- DTS dongle firmware uploader (code 03.LA.218)

PHOTOMETRIC DATA

ULTRA-NARROW lenses

ULTRA-NARROW lenses						ULTRA-NARROW lenses + 20° holo. filter					
	mt 5 ft 16.40	mt 10 ft 32.81	mt 15 ft 49.21	mt 20 ft 65.62	mt 25 ft 82.02		mt 3 ft 9.84	mt 6 ft 19.68	mt 9 ft 29.53	mt 12 ft 39.37	mt 15 ft 49.21
RED	6019	1505	669	376	241	lux center (lx)	2525	631	281	158	101
	559	140	62	35	22	foot candles (fc)	235	59	26	15	9
GREEN	11030	2758	1226	689	441	lux center (lx)	4506	1126	501	282	180
	1025	256	114	64	41	foot candles (fc)	419	105	47	26	17
BLUE	2600	650	289	163	104	lux center (lx)	858	215	95	54	34
	242	60	27	15	10	foot candles (fc)	80	20	9	5	3
WHITE	15670	3918	1741	979	627	lux center (lx)	6764	1691	752	423	271
	1456	364	162	91	58	foot candles (fc)	629	157	70	39	25
FULL RGBW	27100	6775	3011	1694	1084	lux center (lx)	11597	2899	1289	725	464
	2519	630	280	157	101	foot candles (fc)	1078	269	120	67	43
BEAM ANGLE 8°	70	140	210	280	350	diameter (cm)	106	212	317	423	529
	2.29	4.59	6.88	9.18	11.47	diameter (ft)	3.47	6.94	10.41	13.88	17.35

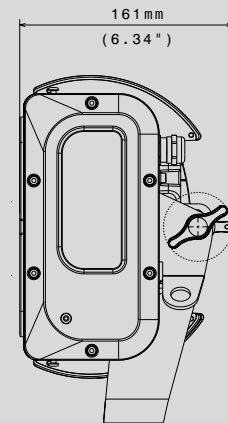
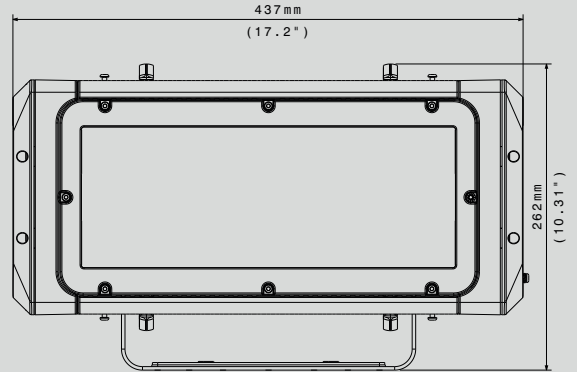
ULTRA-NARROW lenses + 40° holographic filter

ULTRA-NARROW lenses + 40° holographic filter						ULTRA-NARROW lenses + 60°x10° holo. filter					
	mt 2 ft 6.56	mt 4 ft 13.12	mt 6 ft 19.68	mt 8 ft 26.25	mt 10 ft 32.81		mt 2 ft 6.56	mt 4 ft 13.12	mt 6 ft 19.68	mt 8 ft 26.25	mt 10 ft 32.81
RED	1368	342	152	86	55	lux center (lx)	3608	902	401	226	144
	127	32	14	8	5	foot candles (fc)	335	84	37	21	13
GREEN	2421	605	269	151	97	lux center (lx)	6164	1541	685	385	247
	225	56	25	14	9	foot candles (fc)	573	143	64	36	23
BLUE	509	127	57	32	20	lux center (lx)	1250	313	139	78	50
	47	12	5	3	2	foot candles (fc)	116	29	13	7	5
WHITE	3697	924	411	231	148	lux center (lx)	9500	2375	1056	594	380
	344	86	38	21	14	foot candles (fc)	883	221	98	55	35
FULL RGBW	6242	1560	694	390	250	lux center (lx)	16320	4080	1813	1020	653
	580	145	64	36	23	foot candles (fc)	1517	379	169	95	61
BEAM ANGLE 40°	146	291	437	582	728	diameter (cm)	231	462	693	924	1155
	4.78	9.55	14.33	19.11	23.88	diameter (ft)	7.58	15.15	22.73	30.31	37.88
						diameter (cm)	35	70	105	140	175
						diameter (ft)	1.15	2.30	3.44	4.59	5.74

BRICK



HIGH POWER, COMPACT, SELF-CONTAINED IP65 LED WASH LIGHT, WITH INTERCHANGEABLE PROJECTION ANGLES



FEATURES



OPTIONALS



CERTIFICATIONS



CODES

RGBW LEDS - 03.LDB100S11FC

RGBA LEDS - 03.LDB100S11FY



TECHNICAL DATA

OUTPUT

- 24 OSTAR STAGE "N" RGBW or RGBA (HQS) LEDs
- Lumen output (RGBW): 11,500 @ 700 mA
- Lumen output (HQS): 10,800@ 700 mA - CRI >90
- LED lifespan: 50,000 hours (70% lumen output)

OPTICAL GROUP

- 8° projection angle
- Range of quick-mounting holographic filters included: 20° / 40° / 60°x10°
- (no mounting tools required)
- Uniform projection on surfaces

COLOR GENERATION

- 16 million colors
- Wide palette of pure uniform whites
- Variable linear color temperature (2700 K – 8000 K)

CONTROL

- DMX 512 / RDM control
- 4-digit 7-segment LED display + 4 soft keys
- Internal operating system updatable via DTS dongle firmware uploader

DMX

- 10 DMX channels (Default)

POWER SUPPLY

- Built-in full-range PSU 100-240Vac 50-60 Hz
- Power consumption: 400 W
- Power Factor: PF > 0.93

CONNECTIONS

- Power supply: 3 x 1 sq mm cable (1.5 m length)
- DMX In/Out: 0.7 m cable with XLR 5 pins IP65 connector

INTERNAL SAFETY DEVICES

- Overvoltage and overtemperature circuits protection

OPERATING TEMPERATURE

-20° / 45° C

PHYSICAL

- IP65
- Weight: 10 Kg (22 lbs)
- Finishing: Black
- Available on demand ACC version
 - treatment that guarantees effective protection against corrosion

ACCESSORIES INCLUDED

- 1 x Holographic filter 20° (code 0506A043.D11)
- 1 x Holographic filter 40° (code 0506A045.D11)
- 1 x Holographic filter 60°x10° (code 0506A092.D11)
- 1 x PowerCON TRUE1 female cable connector (code 0520P066)
- 1 x PowerCON TRUE1 male cable connector (code 0520P067)
- 1 x Display UV protection (code 03.LA.218)
- 1 x Omega bracket with "Fast Lock" connection 1/4 turn (code 02K00467) – already mounted on the

ACCESSORIES ON REQUEST

- Lenses set Narrow 12° (code 03.LK.274.46)
- Lenses set Medium 28° (code 03.LK.275.46)
- Lenses set Wide 38° (code 03.LK.276.46)
- Holographic filter (complete list in the accessories section)
- Floor stand for ground installation (code 03.LA.213)
- Visor black finishing (code 03.LA.229.11)
- Visor black ACC version (code 03.LA. 229.14)
- Barndoor black finishing (code 03.LA.210)
- Permanent installation kit IP68: Power IN IP68 cable connector + 2 x DMX In/Out IP68 cable connectors (code 03.LA.214)
- G60 "C" Clamp - max load 50 Kg (code 0521A037)
- Aliscraf clamp for tube diameter 48-51 mm - max. load. 200 Kg (code 0521A033)
- G-QUICK clamp professional - max. load 100 (code 0521A037)
- Flightcase for 6 units (code 0521C068)
- Outdoor DMX cable 2 x 0.25 mm² - Flame retardant (code 0509C158)
- Safety cable 5 x 600 mm - max capacity load 60 Kg (code 0521A038)
- DTS dongle firmware uploader (code 03.LA.214)

PHOTOMETRIC DATA

ULTRA-NARROW lenses

ULTRA-NARROW lenses						ULTRA-NARROW lenses + 20° holo. filter						
	mt 5 ft 16.40	mt 10 ft 32.81	mt 15 ft 49.21	mt 20 ft 65.62	mt 25 ft 82.02		mt 3 ft 9.84	mt 6 ft 19.68	mt 9 ft 29.53	mt 12 ft 39.37	mt 15 ft 49.21	
RED	4066	1017	452	254	163	lux center (lx)	1631	408	181	102	65	RED
	378	94	42	24	15	foot candles (fc)	152	38	17	9	6	RED
GREEN	6647	1662	739	415	266	lux center (lx)	3217	804	357	201	129	GREEN
	618	154	69	39	25	foot candles (fc)	299	75	33	19	12	GREEN
BLUE	545	136	61	34	22	lux center (lx)	267	67	30	17	11	BLUE
	51	13	6	3	2	foot candles (fc)	25	6	3	2	2	BLUE
WHITE	9940	2485	1104	621	398	lux center (lx)	3842	960	427	240	154	WHITE
	924	231	103	58	37	foot candles (fc)	357	89	40	22	14	WHITE
FULL RGBW	14277	3569	1586	892	571	lux center (lx)	6083	1521	676	380	243	RGBW
	1327	332	147	83	53	foot candles (fc)	565	141	63	35	23	RGBW
BEAM ANGLE 8°	70	140	210	280	350	diameter (cm)	106	212	317	423	529	BEAM ANGLE 8°
	2.29	4.59	6.88	9.18	11.47	diameter (ft)	3.47	6.94	10.41	13.88	17.35	BEAM ANGLE 8°

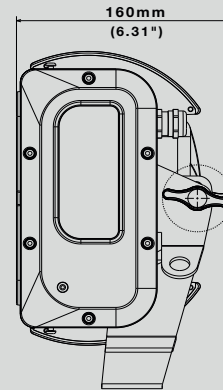
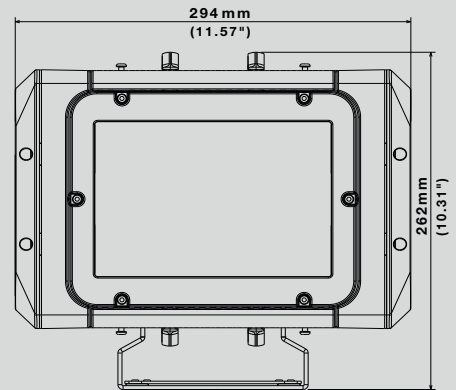
ULTRA-NARROW lenses + 40° holographic filter

ULTRA-NARROW lenses + 40° holographic filter						ULTRA-NARROW lenses + 60°x10° holo. filter						
	mt 2 ft 6.56	mt 4 ft 13.12	mt 6 ft 19.68	mt 8 ft 26.25	mt 10 ft 32.81		mt 2 ft 6.56	mt 4 ft 13.12	mt 6 ft 19.68	mt 8 ft 26.25	mt 10 ft 32.81	
RED	1231	308	137	77	49	lux center (lx)	2500	625	278	156	100	RED
	114	29	13	7	5	foot candles (fc)	232	58	26	15	9	RED
GREEN	2506	627	278	157	100	lux center (lx)	4781	1195	531	299	191	GREEN
	233	58	26	15	9	foot candles (fc)	444	111	49	28	18	GREEN
BLUE	200	50	22	13	8	lux center (lx)	400	100	44	25	16	BLUE
	19	5	2	2	2	foot candles (fc)	37	9	4	2	2	BLUE
WHITE	2981	745	331	186	119	lux center (lx)	6069	1517	674	379	243	WHITE
	277	69	31	17	11	foot candles (fc)	564	141	63	35	23	WHITE
FULL RGBW	4488	1122	499	280	180	lux center (lx)	9063	2266	1007	566	363	RGBW
	417	104	46	26	17	foot candles (fc)	842	211	94	53	34	RGBW
BEAM ANGLE 40°	146	291	437	582	728	diameter (cm)	231	462	693	924	1155	BEAM ANGLE 40°
	4.78	9.55	14.33	19.11	23.88	diameter (ft)	7.58	15.15	22.73	30.31	37.88	BEAM ANGLE 40°
						diameter (cm)	35	70	105	140	175	BEAM ANGLE 40°
						diameter (ft)	1.15	2.30	3.44	4.59	5.74	BEAM ANGLE 40°

MINI BRICK



EXTRA-COMPACT, SELF-CONTAINED
IP65 LED WASH LIGHT, WITH
INTERCHANGEABLE PROJECTION
ANGLES



FEATURES



OPTIONALS



CERTIFICATIONS



CODES

RGBW LEDS - 03.LDB120S11FC

RGBA LEDS - 03.LDB120S11FY



TECHNICAL DATA

OUTPUT

- 12 OSTAR STAGE "N" RGBW or RGBA (HQS) LEDs
- Lumen output (RGBW): 5,800 @ 700 mA
- Lumen output (HQS): 5,448 @ 700 mA - CRI >90
- LED lifespan: 50,000 hours (70% lumen output)

OPTICAL GROUP

- 8° projection angle
- Range of quick-mounting holographic filters included: 20° / 40° / 60°x10° (no mounting tools required)
- Uniform projection on surfaces

COLOR GENERATION

- 16 million colors
- Wide palette of pure uniform whites
- Variable linear color temperature (2700 K – 8000 K)

CONTROL

- DMX 512 / RDM control
- 4-digit 7-segment LED display + 4 soft keys
- Internal operating system updatable via DTS dongle firmware uploader

DMX

- 10 DMX channels (Default)

POWER SUPPLY

- Built-in full-range PSU 100-240Vac 50-60 Hz
- Power consumption: 200 W
- Power Factor: PF > 0.94

CONNECTIONS

- Power supply: 3 x 1 sq mm cable (1.5 m length)
- DMX In/Out: 0.7 m cable with XLR 5 pins IP65 connector

INTERNAL SAFETY DEVICES

- Overvoltage and overtemperature circuits protection

OPERATING TEMPERATURE

-20° / 45° C

PHYSICAL

- IP65
- Weight: 7 Kg (15.4 lbs)
- Finishing: Black
- Available on demand ACC version
 - treatment that guarantees effective protection against corrosion

ACCESSORIES INCLUDED

- 1 x Holographic filter 20° (code 0506A043.D12)
- 1 x Holographic filter 40° (code 0506A045.D12)
- 1 x Holographic filter 60°x10° (code 0506A092.D12)
- 1 x PowerCON TRUE1 female cable connector (code 0520P066)
- 1 x PowerCON TRUE1 male cable connector (code 0520P067)
- 1 x Display UV protection (code 03.LA.218)
- 1 x Omega bracket with "Fast Lock" connection 1/4 turn (code 02K00467) – already mounted on the
- Lenses set Narrow 12° (code 03.LK.270.46)

ACCESSORIES ON REQUEST

- Lenses set Medium 28° (code 03.LK.271.46)
- Lenses set Wide 38° (code 03.LK.272.46)
- Holographic filter (complete list in the accessories section)
- Floor stand for ground installation (code 03.LA.213)
- Visor black finishing (code 03.LA.230.11)
- Visor black ACC version (code 03.LA.230.14)
- Barndoor black finishing (code 03.LA.211)
- Permanent installation kit IP68: Power IN IP68 cable connector + 2 x DMX In/Out IP68 cable connectors (code 03.LA.214)
- G60 "C" Clamp - max load 50 Kg (code 0521A004)
- Aliscat clamp for tube diameter 48-51 mm - max. load. 200 Kg (code 0521A033)
- G-QUICK clamp professional - max. load 100 Kg (code 0521A037)
- Outdoor DMX cable 2 x 0,25 mm² - Flame retardant (code 0509C158)
- Safety cable 5 x 600 mm - max capacity load 60 Kg (code 0521A038)
- DTS dongle firmware uploader (code 03.LA.206)

PHOTOMETRIC DATA

ULTRA-NARROW lenses

ULTRA-NARROW lenses						ULTRA-NARROW lenses + 20° holo. filter						
	mt 5 ft 16.40	mt 10 ft 32.81	mt 15 ft 49.21	mt 20 ft 65.62	mt 25 ft 82.02		mt 3 ft 9.84	mt 6 ft 19.68	mt 9 ft 29.53	mt 12 ft 39.37	mt 15 ft 49.21	
RED	2384	596	265	149	95	lux center (lx)	812	203	90	51	32	RED
	222	55	25	14	9	foot candles (fc)	75	19	8	5	3	RED
GREEN	4310	1078	479	269	172	lux center (lx)	1605	401	178	100	64	GREEN
	401	100	45	25	16	foot candles (fc)	149	37	17	9	6	GREEN
BLUE	315	79	35	20	13	lux center (lx)	130	33	14	8	5	BLUE
	29	7	3	2	1	foot candles (fc)	12	3	2	2	1	BLUE
WHITE	5282	1321	587	330	211	lux center (lx)	1918	480	213	120	77	WHITE
	491	123	55	31	20	foot candles (fc)	178	45	20	11	7	WHITE
FULL RGBW	6767	1692	752	423	271	lux center (lx)	3038	760	338	190	122	FULL RGBW
	629	157	70	39	25	foot candles (fc)	282	71	31	18	11	FULL RGBW
BEAM ANGLE 8°	70	140	210	280	350	diameter (cm)	106	212	317	423	529	BEAM ANGLE 8°
	2.29	4.59	6.88	9.18	11.47	diameter (ft)	3.47	6.94	10.41	13.88	17.35	BEAM ANGLE 8°

ULTRA-NARROW lenses + 40° holographic filter

ULTRA-NARROW lenses + 40° holographic filter						ULTRA-NARROW lenses + 60°x10° holo. filter						
	mt 2 ft 6.56	mt 4 ft 13.12	mt 6 ft 19.68	mt 8 ft 26.25	mt 10 ft 32.81		mt 2 ft 6.56	mt 4 ft 13.12	mt 6 ft 19.68	mt 8 ft 26.25	mt 10 ft 32.81	
RED	612	153	68	38	24	lux center (lx)	1247	312	139	78	50	RED
	57	14	6	4	2	foot candles (fc)	116	29	13	7	5	RED
GREEN	1250	313	139	78	50	lux center (lx)	2387	597	265	149	95	GREEN
	116	29	13	7	5	foot candles (fc)	222	55	25	14	9	GREEN
BLUE	97	24	11	6	4	lux center (lx)	197	49	22	12	8	BLUE
	9	2	2	2	1	foot candles (fc)	18	5	2	2	2	BLUE
WHITE	1487	372	165	93	59	lux center (lx)	3030	758	337	189	121	WHITE
	138	35	15	9	6	foot candles (fc)	282	70	31	18	11	WHITE
FULL RGBW	2240	560	249	140	90	lux center (lx)	4527	1132	503	283	181	FULL RGBW
	208	52	23	13	8	foot candles (fc)	421	105	47	26	17	FULL RGBW
BEAM ANGLE 40°	146	291	437	582	728	diameter (cm)	231	462	693	924	1155	BEAM ANGLE 40°
	4.78	9.55	14.33	19.11	23.88	diameter (ft)	7.58	15.15	22.73	30.31	37.88	BEAM ANGLE 40°
						diameter (cm)	35	70	105	140	175	BEAM ANGLE 40°
						diameter (ft)	1.15	2.30	3.44	4.59	5.74	BEAM ANGLE 40°

BLINDER

**ITALIAN
PROFESSIONAL
LIGHTING**

D.T.S. Illuminazione S.r.l.
via Fagnano Selve, 12/14
47843 Misano adriatico (RN) Italy
+39 0541 611131
www.dts.lighting

All specifications subject to change without notice